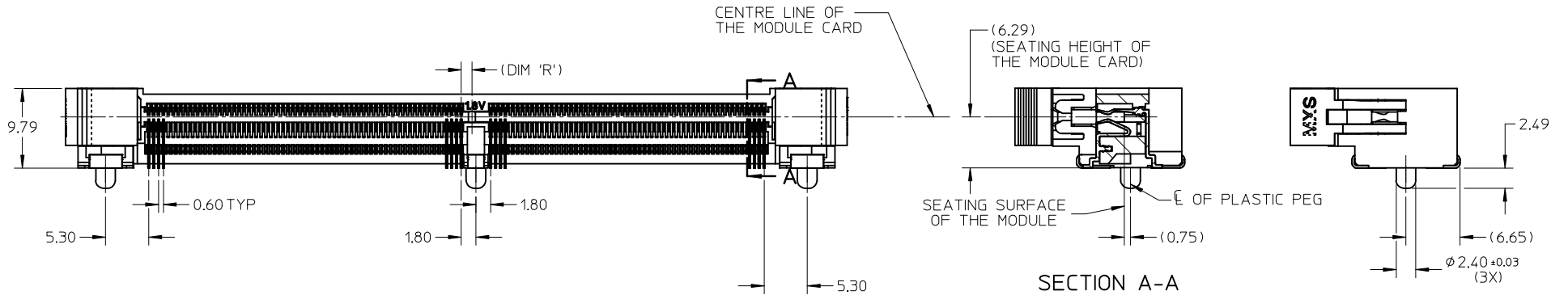


NOTES :

- MATERIAL :
HOUSING : HIGH TEMPERATURE LIQUID CRYSTAL POLYMER, UL94V-0
COLOUR : BLACK
CONTACTS : COPPER ALLOY
LATCHES : HIGH TEMPERATURE NYLON, UL94V-0,
COLOUR : NATURAL (OFF-WHITE)
- FINISH :
CONTACT AREA : 0.76 MICROMETER (30 MICROINCH) MIN GOLD OVER
1.25 MICROMETER (50 MICROINCH) MIN NICKEL
SOLDER LEADS : 2.54 MICROMETER (100 MICROINCH) MIN TIN OVER
1.25MICROMETER (50 MICROINCH) MIN NICKEL
- ACCEPTS 1.0 mm THICK MEMORY MODULE PER JEDEC MO-244
FOR 244 CKTS AND MO-258 FOR 200 CKTS.
- PRODUCT SPECIFICATION : PS-78001-001
- PACKAGING SPECIFICATION: PRODUCT SHALL BE PACKED IN TRAY.
PLS REFER TO SHEET 4.

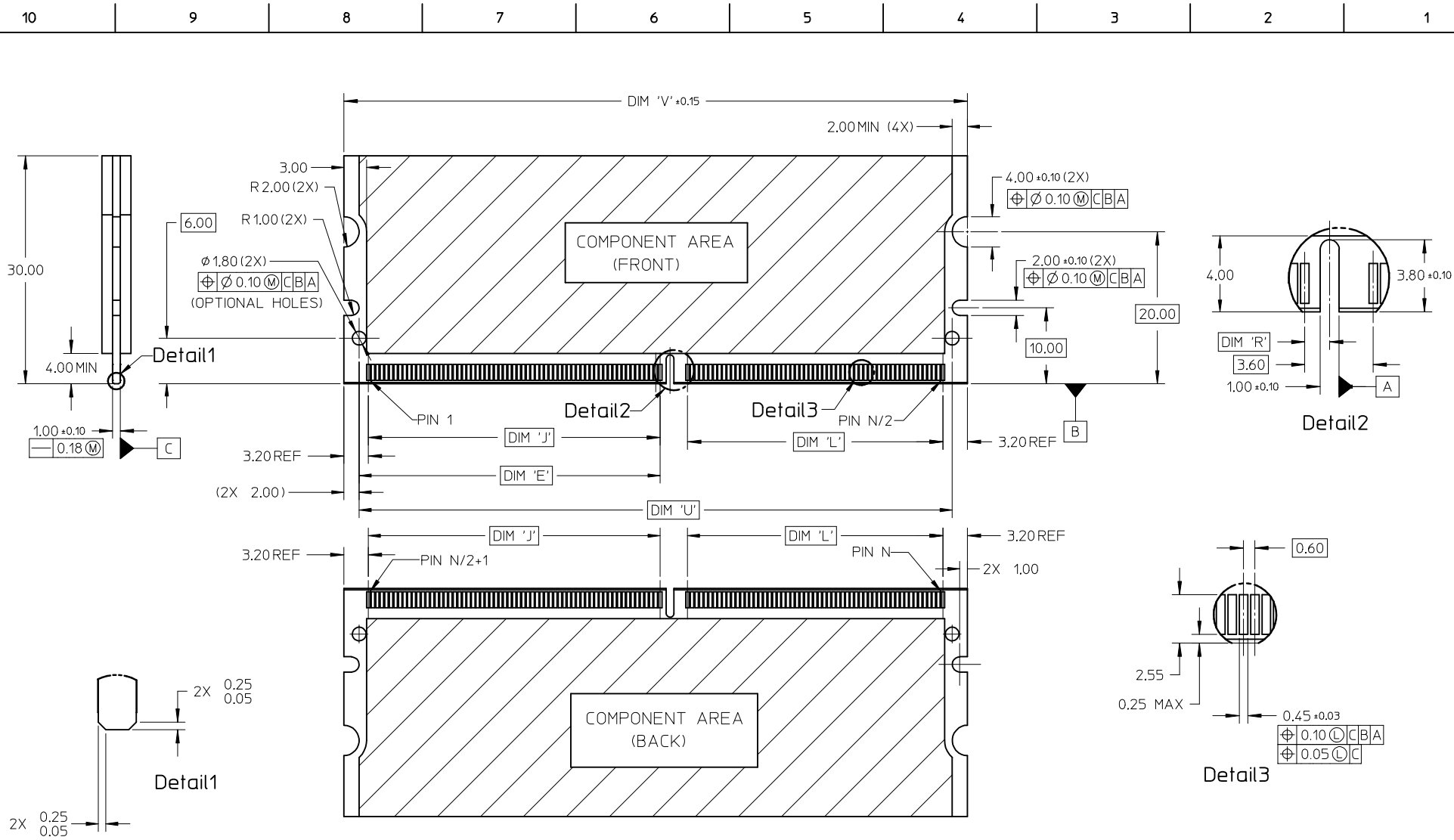
△6 DATE CODE SHALL BE MARKED LEGIBLY AS SHOWN :YYDD

△7 PART NUMBER SHALL BE MARKED LEGIBLY AS SHOWN.
78001-XXXX (REFER TO TABLE)



SECTION A-A

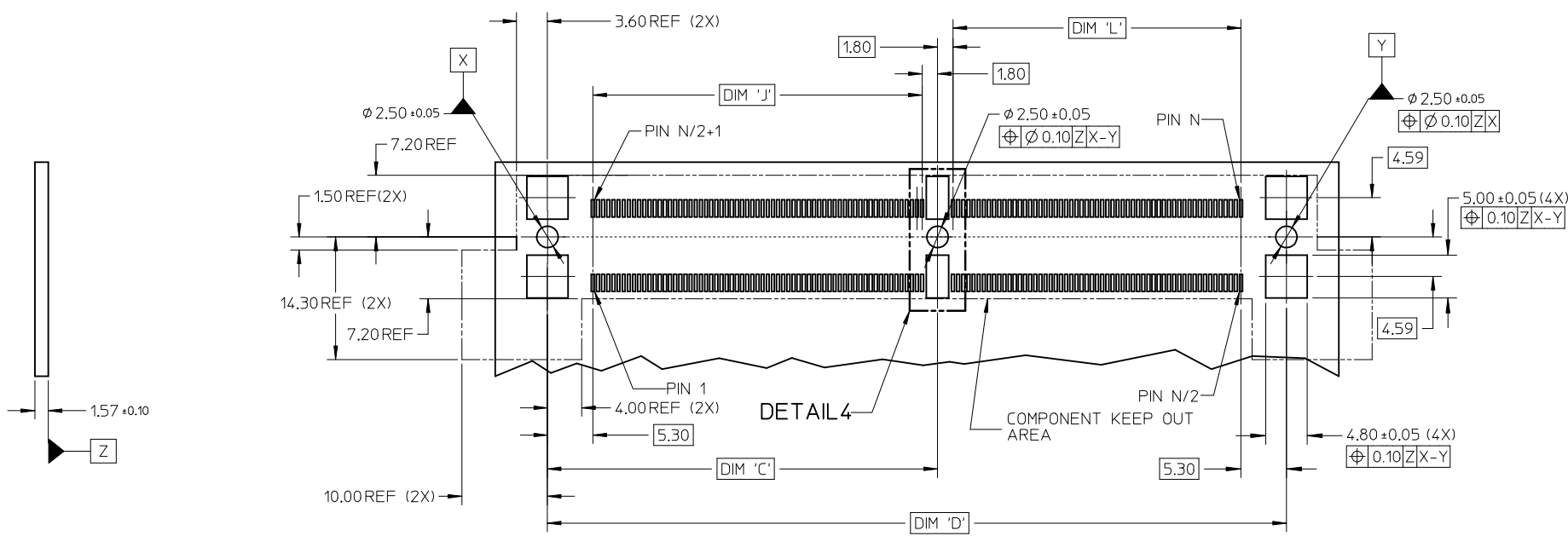
ADD PART NUMBER EC NO: S2014-0858 DRWN: JAKEENW 2013/12/26 CH'KD: CCTEH 2014/03/19 APPR: SHLENI 2014/03/20 REV B3	QUALITY SYMBOLS $\nabla F=0$ $\nabla F=0$ $\nabla F=0$	GENERAL TOLERANCES (UNLESS SPECIFIED) <table border="1"> <thead> <tr> <th></th> <th>mm</th> <th>INCH</th> </tr> </thead> <tbody> <tr> <td>4 PLACES</td> <td>± ---</td> <td>± ---</td> </tr> <tr> <td>3 PLACES</td> <td>± ---</td> <td>± ---</td> </tr> <tr> <td>2 PLACES</td> <td>± 0.13</td> <td>± ---</td> </tr> <tr> <td>1 PLACE</td> <td>± 0.25</td> <td>± ---</td> </tr> <tr> <td>0 PLACE</td> <td>±</td> <td>±</td> </tr> </tbody> </table>		mm	INCH	4 PLACES	± ---	± ---	3 PLACES	± ---	± ---	2 PLACES	± 0.13	± ---	1 PLACE	± 0.25	± ---	0 PLACE	±	±	DIMENSION STYLE MM ONLY	SCALE NTS	DESIGN UNITS METRIC	THIRD ANGLE PROJECTION
		mm	INCH																					
	4 PLACES	± ---	± ---																					
	3 PLACES	± ---	± ---																					
2 PLACES	± 0.13	± ---																						
1 PLACE	± 0.25	± ---																						
0 PLACE	±	±																						
	DRAFT WHERE APPLICABLE MUST REMAIN WITHIN DIMENSIONS	DIMENSION STYLE MM ONLY	DRAWN BY SHLENI	DATE 2005/03/14	TITLE MINI DIMM, 0.60MM PITCH 200/244 CKTS REVERSE R/A																			
		DIMENSION STYLE MM ONLY	CHECKED BY MLONG	DATE 2005/03/31																				
		DIMENSION STYLE MM ONLY	APPROVED BY GGLEE	DATE 2005/03/31	molex																			
		DIMENSION STYLE MM ONLY	MATERIAL NO. SEE TABLE	DOCUMENT NO. SD-78001-003	SHEET NO. 1 OF 4																			
		DIMENSION STYLE MM ONLY	SIZE A3	THIS DRAWING CONTAINS INFORMATION THAT IS PROPRIETARY TO MOLEX INCORPORATED AND SHOULD NOT BE USED WITHOUT WRITTEN PERMISSION																				



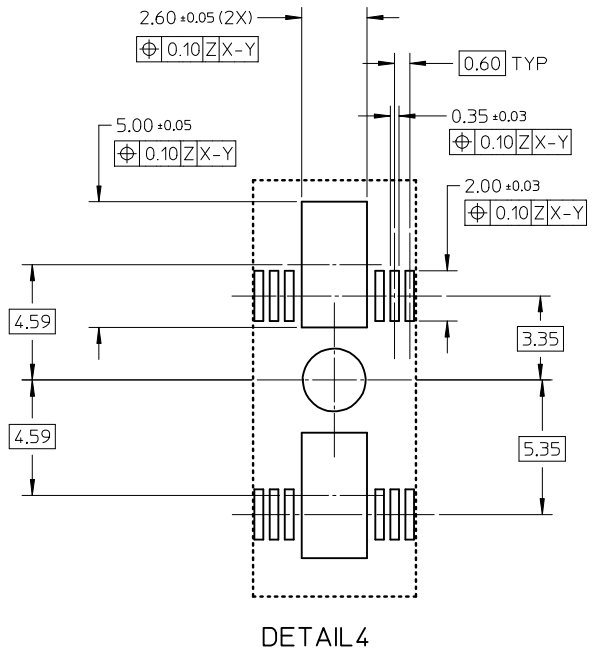
ADD PART NUMBER EC NO: S2014-0858 DRWN: JAKEEW 2013/12/26 CHKD: CCTEH 2014/03/19 APPR: SHLENI 2014/03/20	QUALITY SYMBOLS $F_A = 0$ $F_G = 0$ $F_P = 0$	GENERAL TOLERANCES (UNLESS SPECIFIED)		DIMENSION STYLE MM ONLY	SCALE NTS	DESIGN UNITS METRIC	THIRD ANGLE PROJECTION
		4 PLACES ± --- ± --- 3 PLACES ± --- ± --- 2 PLACES ± 0.13 ± --- 1 PLACE ± 0.25 ± --- 0 PLACE ± ±	mm INCH	DRAWN BY: SHLENI DATE: 2005/03/14 CHECKED BY: MLONG DATE: 2005/03/31 APPROVED BY: GGLEE DATE: 2005/03/31	TITLE: MINI DIMM, 0.60MM PITCH 200/244 CKTS REVERSE R/A		
		ANGULAR ± 1 ° DRAFT WHERE APPLICABLE MUST REMAIN WITHIN DIMENSIONS	MATERIAL NO.: SEE TABLE	DOCUMENT NO.: SD-78001-003	SHEET NO.: 2 OF 4		
		THIS DRAWING CONTAINS INFORMATION THAT IS PROPRIETARY TO MOLEX INCORPORATED AND SHOULD NOT BE USED WITHOUT WRITTEN PERMISSION					

10 9 8 7 6 5 4 3 2 1

F
E
D
C
B
A




RECOMMENDED PCB LAYOUT



9 8 7 6 5 4 3 2 1

ADD PART NUMBER EC NO: S2014-0858 DRWN: JAKEEWEW 2013/12/26 CHKD: CCTEH 2014/03/19 APPR: SHLENI 2014/03/20 REV: B3	QUALITY SYMBOLS $F_{\sigma} = 0$ $F_{\sigma} = 0$ $F_{\sigma} = 0$	GENERAL TOLERANCES (UNLESS SPECIFIED)		DIMENSION STYLE MM ONLY		SCALE NTS	DESIGN UNITS METRIC	THIRD ANGLE PROJECTION		
		4 PLACES ± --- ± ---	mm INCH	DRAWN BY SHLENI	DATE 2005/03/14	TITLE MINI DIMM, 0.60MM PITCH 200/244 CKTS REVERSE R/A				
		3 PLACES ± --- ± ---		CHECKED BY MLONG	DATE 2005/03/31	molex DOCUMENT NO. SD-78001-003 SHEET NO. 3 OF 4				
		2 PLACES ± 0.13 ± ---		APPROVED BY GGLEE	DATE 2005/03/31					
1 PLACE ± 0.25 ± ---		MATERIAL NO.		THIS DRAWING CONTAINS INFORMATION THAT IS PROPRIETARY TO MOLEX INCORPORATED AND SHOULD NOT BE USED WITHOUT WRITTEN PERMISSION						
0 PLACE ± ±		ANGULAR ± 1 °		SEE TABLE						
DRAFT WHERE APPLICABLE MUST REMAIN WITHIN DIMENSIONS										

ASSEMBLY P/N	CKT SIZE "N"	MODULE CARD	VOLTAGE KEY	DIM 'R'	DIM 'E'	DIM 'J'	DIM 'L'	DIM 'A'	DIM 'S'	DIM 'T'	DIM 'U'	DIM 'V'	DIM 'C'	DIM 'D'	DIM 'B'	PACKAGING SPECIFICATION
78001-1200	200	DDR2	1.8 V	1.30	24.60	23.40	35.40	79.8	82.8	93.0	64.80	68.80	30.50	73.00	62.40	PK-78001-001
78001-2200		DDR	2.5 V	2.30												
78001-1244	244	DDR2	1.8 V	1.30	39.60	38.40	33.60	93.0	96.0	106.2	78.00	82.00	45.50	86.20	75.60	PK-78001-002
78001-1344		DDR3	1.5 V	2.30												PK-78001-003
78001-3244		DDR2	1.8 V	1.30												PK-78001-003
78001-3344		DDR3	1.5 V	2.30												PK-78001-003
78001-4244		DDR2	1.8 V	1.30												PK-78001-004
78001-4344		DDR3	1.5 V	2.30												PK-78001-004

ADD PART NUMBER EC NO: S2014-0858 DRWN: JAKEEW 2013/12/26 CHKD: CTEH 2014/03/19 APPR: SHLENI 2014/03/20	DESCRIPTION REV B3	QUALITY SYMBOLS	GENERAL TOLERANCES (UNLESS SPECIFIED)	DIMENSION STYLE MM ONLY	SCALE NTS	DESIGN UNITS METRIC	THIRD ANGLE PROJECTION
		$F_A = 0$ $F_G = 0$ $F_P = 0$	mm INCH 4 PLACES ± --- ± --- 3 PLACES ± --- ± --- 2 PLACES ± 0.13 ± --- 1 PLACE ± 0.25 ± --- 0 PLACE ± ±	DRAWN BY SHLENI DATE 2005/03/14 CHECKED BY MLONG DATE 2005/03/31 APPROVED BY GGLEE DATE 2005/03/31	TITLE	MINI DIMM, 0.60MM PITCH 200/244 CKTS REVERSE R/A	
		ANGULAR ± 1 ° DRAFT WHERE APPLICABLE MUST REMAIN WITHIN DIMENSIONS	MATERIAL NO. SEE TABLE SIZE A3	DOCUMENT NO. SD-78001-003 SHEET NO. 4 OF 4			
		THIS DRAWING CONTAINS INFORMATION THAT IS PROPRIETARY TO MOLEX INCORPORATED AND SHOULD NOT BE USED WITHOUT WRITTEN PERMISSION					