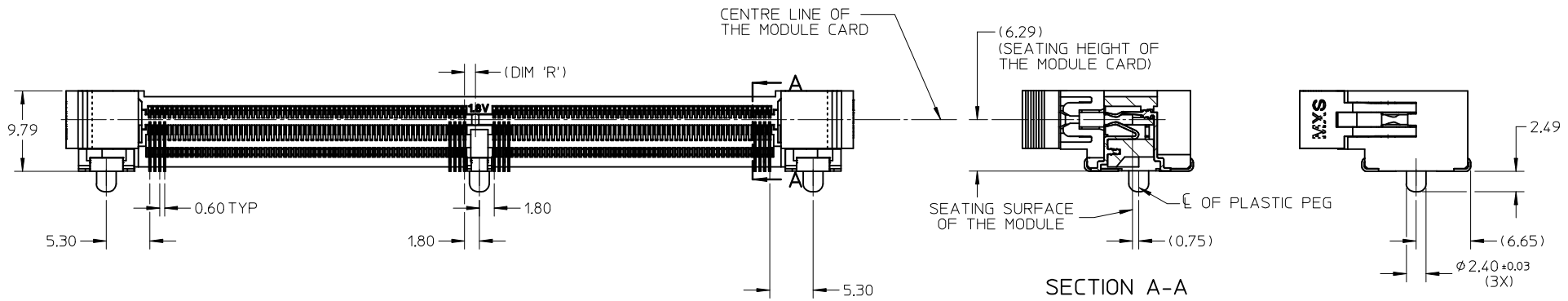


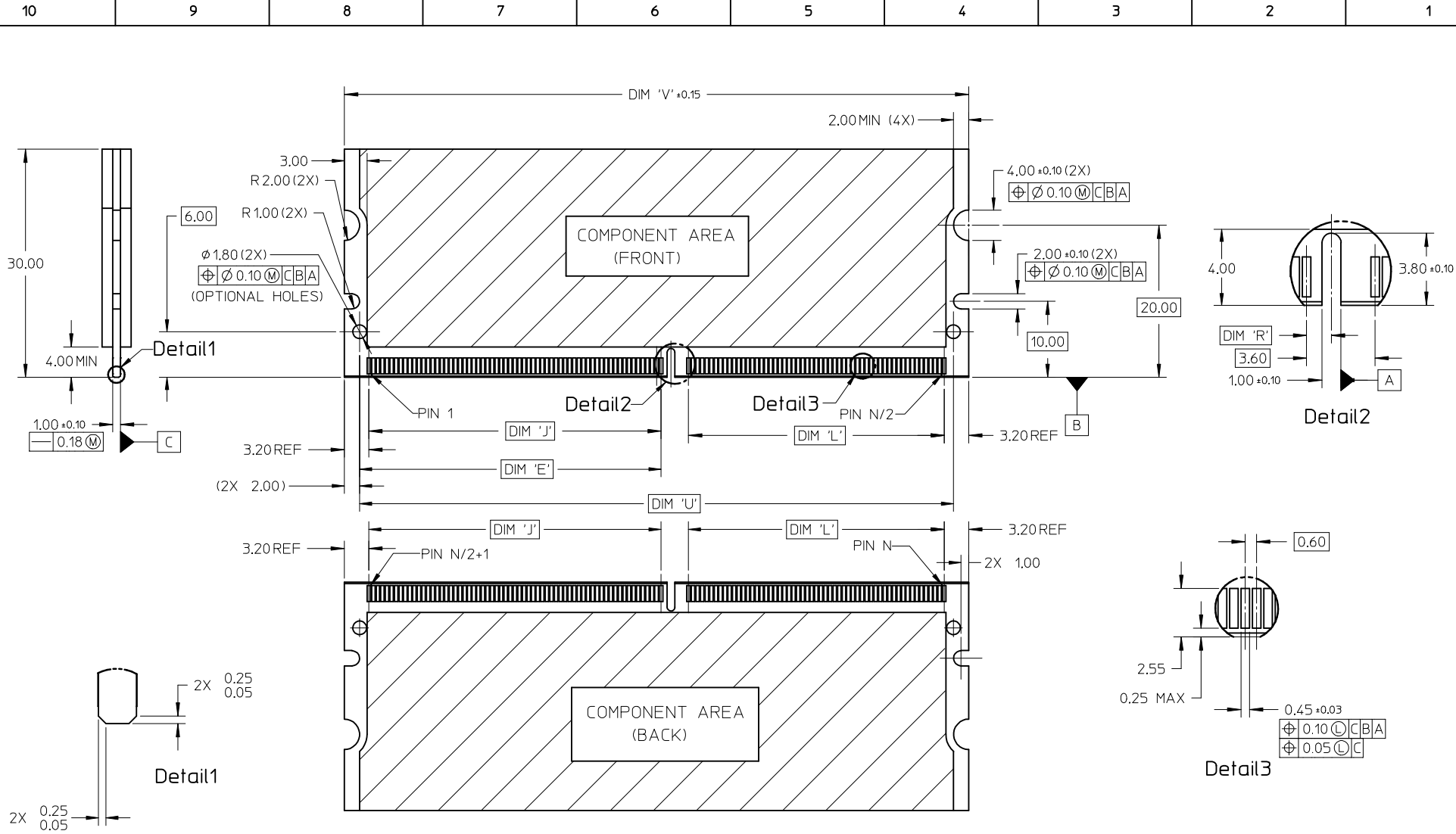
NOTES :

- MATERIAL :
HOUSING : HIGH TEMPERATURE LIQUID CRYSTAL POLYMER, UL94V-0
COLOUR : BLACK
CONTACTS : COPPER ALLOY
LATCHES : HIGH TEMPERATURE NYLON, UL94V-0,
COLOUR : NATURAL (OFF-WHITE)
- FINISH :
CONTACT AREA : 0.76 MICROMETER (30 MICROINCH) MIN GOLD OVER
1.25 MICROMETER (50 MICROINCH) MIN NICKEL
SOLDER LEADS : 2.54 MICROMETER (100 MICROINCH) MIN TIN OVER
1.25MICROMETER (50 MICROINCH) MIN NICKEL
- ACCEPTS 1.0 mm THICK MEMORY MODULE PER JEDEC MO-244
FOR 244 CKTS AND MO-258 FOR 200 CKTS.
- PRODUCT SPECIFICATION : PS-78001-001
- PACKAGING SPECIFICATION: PRODUCT SHALL BE PACKED IN TRAY.
PLS REFER TO SHEET 4.

- △6 DATE CODE SHALL BE MARKED LEGIBLY AS SHOWN :YYDD
- △7 PART NUMBER SHALL BE MARKED LEGIBLY AS SHOWN.
78001-XXXX (REFER TO TABLE)



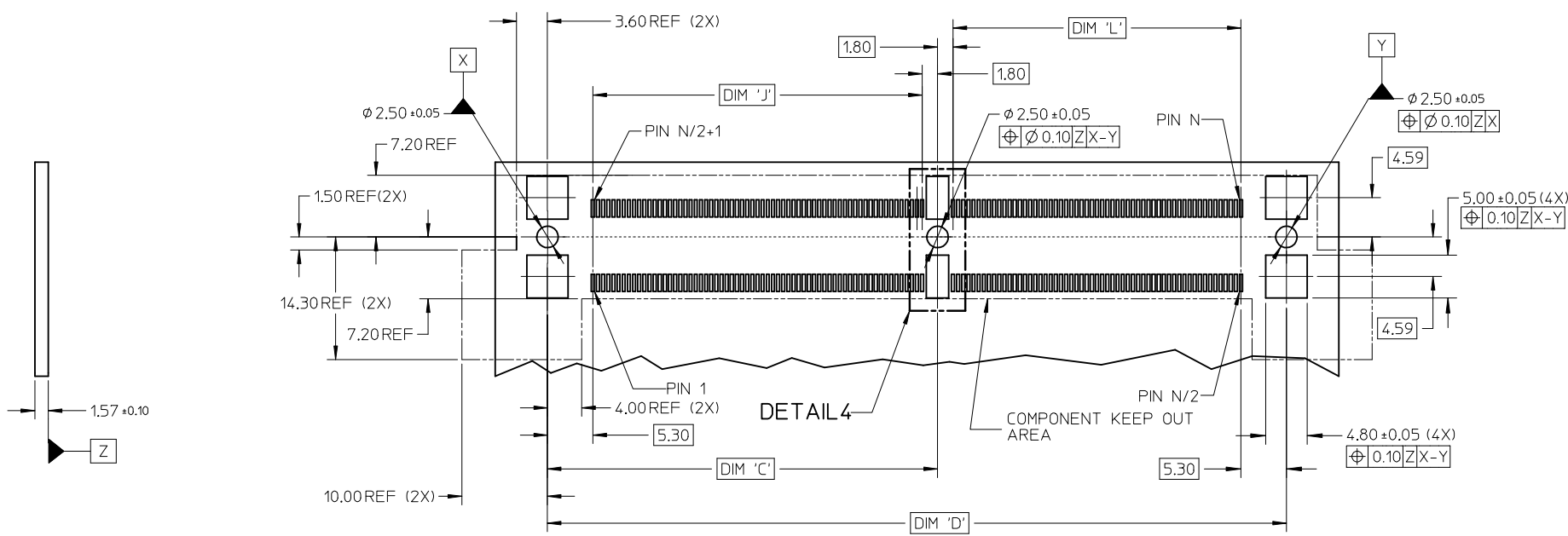
ADD PART NUMBER EC NO: S2014-0858 DRWN: JAKEENW 2013/12/26 CH'KD: CCTEH 2014/03/19 APPR: SHLENI 2014/03/20 REV B3	DESCRIPTION REV	QUALITY SYMBOLS $\nabla F=0$ $\nabla F=0$ $\nabla F=0$	GENERAL TOLERANCES (UNLESS SPECIFIED)		DIMENSION STYLE MM ONLY		SCALE NTS	DESIGN UNITS METRIC	THIRD ANGLE PROJECTION	
		4 PLACES \pm --- \pm --- 3 PLACES \pm --- \pm --- 2 PLACES \pm 0.13 \pm --- 1 PLACE \pm 0.25 \pm --- 0 PLACE \pm \pm	mm INCH	DRAWN BY SHLENI	DATE 2005/03/14	TITLE MINI DIMM, 0.60MM PITCH 200/244 CKTS REVERSE R/A				
		ANGULAR $\pm 1^\circ$		CHECKED BY MLONG	DATE 2005/03/31	MATERIAL NO. DOCUMENT NO. SHEET NO. SEE TABLE SD-78001-003 1 OF 4				
		DRAFT WHERE APPLICABLE MUST REMAIN WITHIN DIMENSIONS		APPROVED BY GGLEE	DATE 2005/03/31					



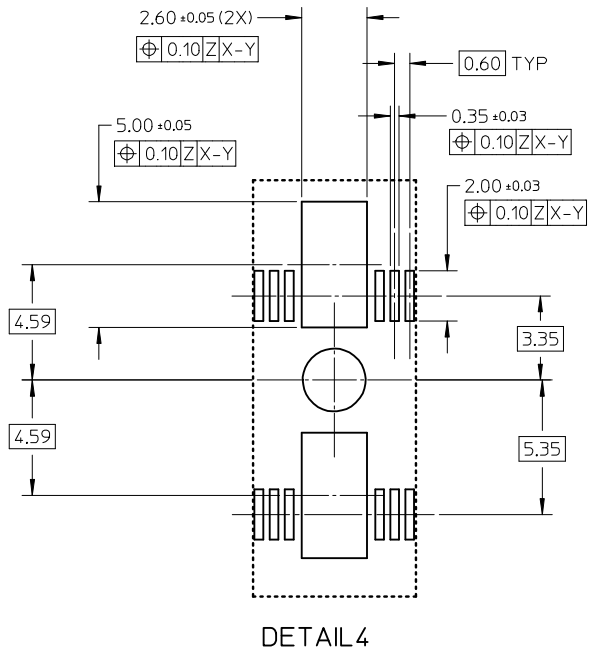
ADD PART NUMBER EC NO: S2014-0858 DRWN: JAKEEW 2013/12/26 CHKD: CCTEH 2014/03/19 APPR: SHLENI 2014/03/20	QUALITY SYMBOLS $F_A = 0$ $F_G = 0$ $F_P = 0$	GENERAL TOLERANCES (UNLESS SPECIFIED)		DIMENSION STYLE MM ONLY	SCALE NTS	DESIGN UNITS METRIC	THIRD ANGLE PROJECTION	
		4 PLACES ± --- ± ---	mm INCH	DRAWN BY SHLENI	DATE 2005/03/14	TITLE MINI DIMM, 0.60MM PITCH 200/244 CKTS REVERSE R/A		
		3 PLACES ± --- ± ---		CHECKED BY MLONG	DATE 2005/03/31			
		2 PLACES ± 0.13 ± ---		APPROVED BY GGLEE	DATE 2005/03/31			
1 PLACE ± 0.25 ± ---		MATERIAL NO.		DOCUMENT NO.				
0 PLACE ± ±		ANGULAR ± 1 °		SEE TABLE			SHEET NO. 2 OF 4	
DRAFT WHERE APPLICABLE MUST REMAIN WITHIN DIMENSIONS		THIS DRAWING CONTAINS INFORMATION THAT IS PROPRIETARY TO MOLEX INCORPORATED AND SHOULD NOT BE USED WITHOUT WRITTEN PERMISSION						

10 9 8 7 6 5 4 3 2 1

F
E
D
C
B
A



RECOMMENDED PCB LAYOUT



9 8 7 6 5 4 3 2 1

ADD PART NUMBER EC NO: S2014-0858 DRWN: JAKEENW 2013/12/26 CHKD: CCTEH 2014/03/19 APPR: SHLENI 2014/03/20 REV: B3	QUALITY SYMBOLS $F_{\sigma} = 0$ $F_{\sigma} = 0$ $F_{\sigma} = 0$	GENERAL TOLERANCES (UNLESS SPECIFIED)		DIMENSION STYLE MM ONLY		SCALE NTS	DESIGN UNITS METRIC	THIRD ANGLE PROJECTION		
			mm	INCH	DRAWN BY	DATE	TITLE			
		4 PLACES	± ---	± ---	SHLENI	2005/03/14	MINI DIMM, 0.60MM PITCH			
		3 PLACES	± ---	± ---	CHECKED BY	DATE	200/244 CKTS			
	± 0.13	± ---	MLONG	2005/03/31	REVERSE R/A					
	± 0.25	± ---	APPROVED BY	DATE	molex SD-78001-003					
0 PLACE	±	±	GGLEE	2005/03/31						
ANGULAR ± 1 °		DRAFT WHERE APPLICABLE MUST REMAIN WITHIN DIMENSIONS		MATERIAL NO. SEE TABLE		DOCUMENT NO. SD-78001-003		SHEET NO. 3 OF 4		
THIS DRAWING CONTAINS INFORMATION THAT IS PROPRIETARY TO MOLEX INCORPORATED AND SHOULD NOT BE USED WITHOUT WRITTEN PERMISSION										

ASSEMBLY P/N	CKT SIZE "N"	MODULE CARD	VOLTAGE KEY	DIM 'R'	DIM 'E'	DIM 'J'	DIM 'L'	DIM 'A'	DIM 'S'	DIM 'T'	DIM 'U'	DIM 'V'	DIM 'C'	DIM 'D'	DIM 'B'	PACKAGING SPECIFICATION
78001-1200	200	DDR2	1.8 V	1.30	24.60	23.40	35.40	79.8	82.8	93.0	64.80	68.80	30.50	73.00	62.40	PK-78001-001
78001-2200		DDR	2.5 V	2.30												
78001-1244	244	DDR2	1.8 V	1.30	39.60	38.40	33.60	93.0	96.0	106.2	78.00	82.00	45.50	86.20	75.60	PK-78001-002
78001-1344		DDR3	1.5 V	2.30												PK-78001-003
78001-3244		DDR2	1.8 V	1.30												PK-78001-004
78001-3344		DDR3	1.5 V	2.30												
78001-4244		DDR2	1.8 V	1.30												
78001-4344		DDR3	1.5 V	2.30												

ADD PART NUMBER EC NO: S2014-0858 DRWN: JAKEEW 2013/12/26 CHKD: CTEH 2014/03/19 APPR: SHLENI 2014/03/20	DESCRIPTION REV	QUALITY SYMBOLS	GENERAL TOLERANCES (UNLESS SPECIFIED)	DIMENSION STYLE MM ONLY	SCALE NTS	DESIGN UNITS METRIC	THIRD ANGLE PROJECTION	
		$F_A = 0$ $F_G = 0$ $F_P = 0$	mm INCH 4 PLACES ± --- ± --- 3 PLACES ± --- ± --- 2 PLACES ± 0.13 ± --- 1 PLACE ± 0.25 ± --- 0 PLACE ± ±	DRAWN BY: SHLENI DATE: 2005/03/14 CHECKED BY: MLONG DATE: 2005/03/31 APPROVED BY: GGLEE DATE: 2005/03/31	TITLE: MINI DIMM, 0.60MM PITCH 200/244 CKTS REVERSE R/A			
		ANGULAR ± 1 ° DRAFT WHERE APPLICABLE MUST REMAIN WITHIN DIMENSIONS	MATERIAL NO. DOCUMENT NO.		SEE TABLE SD-78001-003			SHEET NO. 4 OF 4
		SIZE: A3		THIS DRAWING CONTAINS INFORMATION THAT IS PROPRIETARY TO MOLEX INCORPORATED AND SHOULD NOT BE USED WITHOUT WRITTEN PERMISSION				