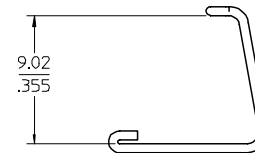
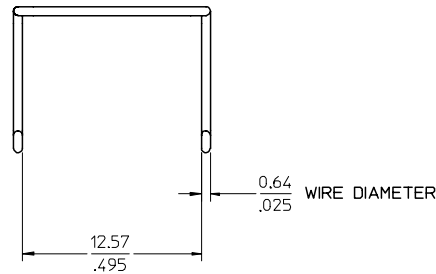
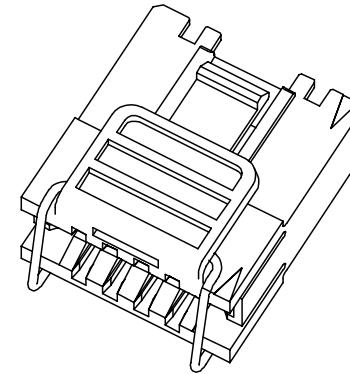
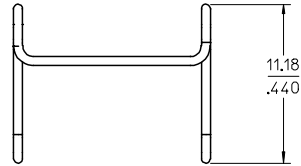


J
I
H
G
F
E
D
C
B
A

J
I
H
G
F
E
D
C
B
A

NOTES:

- 1) MATERIAL: .025 DIAMETER STAINLESS STEEL.
- 2) SPRING CLIP TO BE USED WITH 70013-**** INTERIM CLIP CIRCUIT SIZES 8-50.



EC NO: UCP2004-0539 DRWN: DMORGAN 2004/03/22 CHKD: BBARKER 2004/03/22 APPR: SMILLER 2004/04/01	QUALITY SYMBOLS ▽-0 □-0	GENERAL TOLERANCES (UNLESS SPECIFIED)		SCALE 4:1	DESIGN UNITS INCH	THIRD ANGLE PROJECTION	REVISE ON CAD ONLY		
		4 PLACES ± --- ± ---	3 PLACES ± --- ± .010	DIMENSION STYLE MM/IN		TITLE SPRING CLIP FOR INTERIM CLIPS CIRCUIT SIZES 8-50.			
		2 PLACES ± 0.25 ± .025	1 PLACE ± .64 ± ---	ANGULAR ±1/2°		DRAWN BY DMORGAN DATE 03/09/17	MOLEX INCORPORATED		
		DRAFT WHERE APPLICABLE MUST REMAIN WITHIN DIMENSIONS		CHECKED BY BBARKER DATE 03/09/17	APPROVED BY SMILLER DATE 03/09/17	MATERIAL NO. 71809-0001	DOCUMENT NO. SD-71809-001	SHEET NO. 1 OF 1	