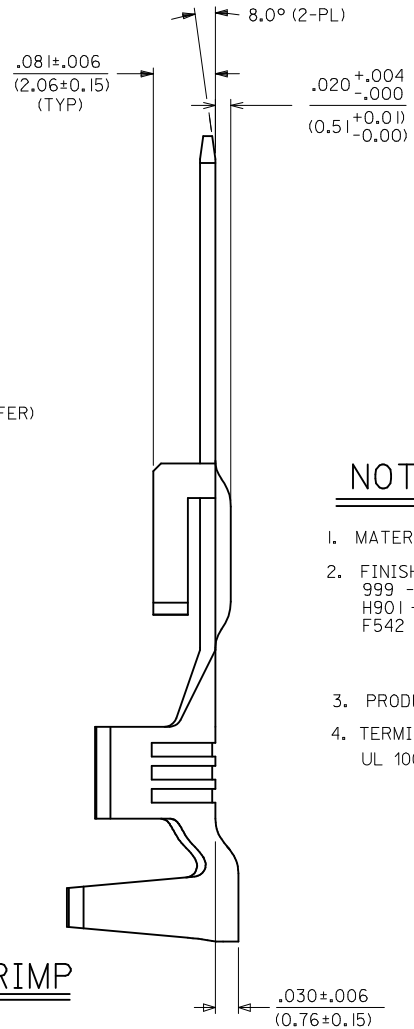
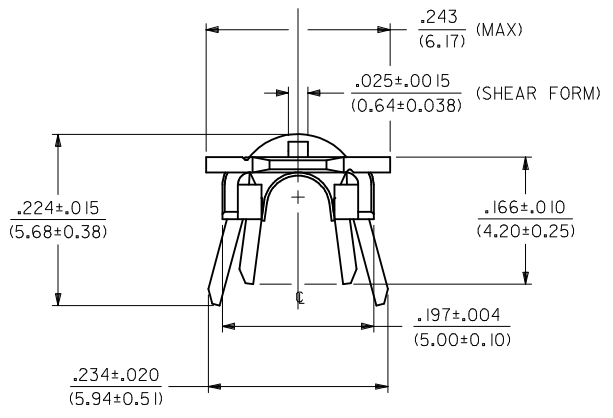
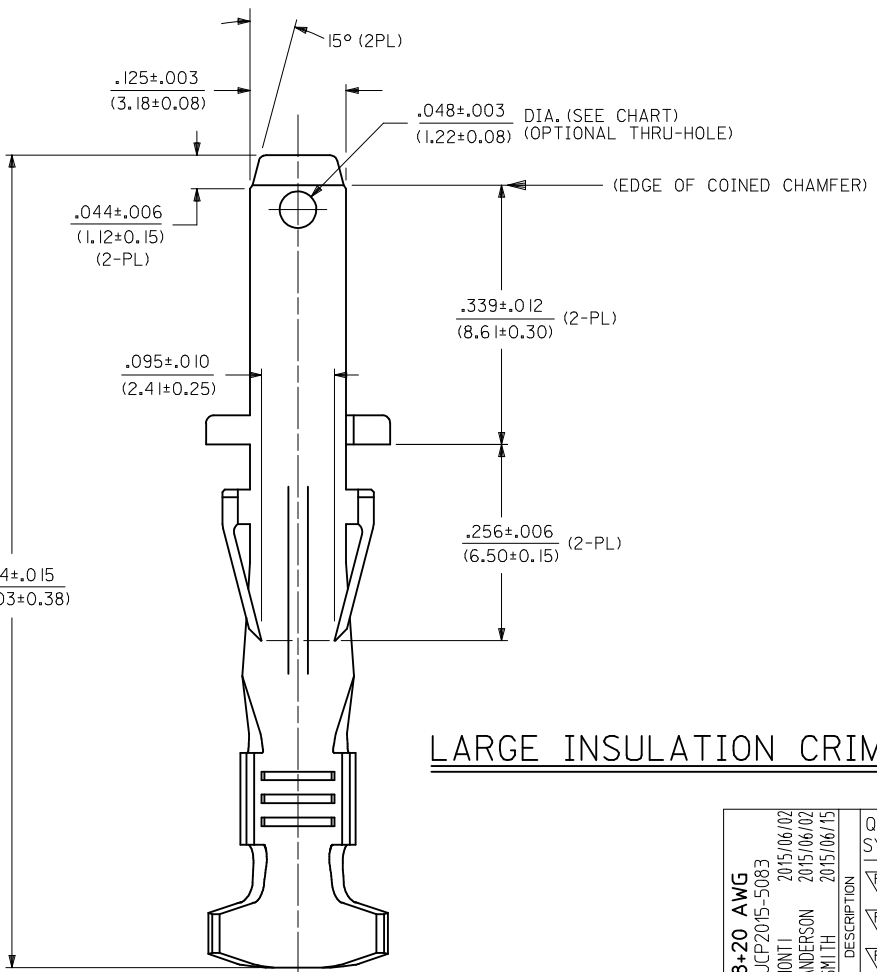


MATERIAL NUMBER	FINISH	HOLE
43178-2001	999	NOT USED
43178-2002	H901	NOT USED
43178-2003	F542	NOT USED



**NOTES**

- MATERIAL: BRASS
- FINISH:  
999 - UNPLATED  
H901 - 20 MICROINCH MIN. HOT TIN DIP  
F542 - 15 MICROINCH MIN. SELECT GOLD IN CONTACT AREA,  
50 MICROINCH TIN-LEAD IN CRIMP AREA,  
NICKEL UNDERPLATE OVERALL.
- PRODUCT SPECIFICATION : PS-44441-001
- TERMINAL FOR USE WITH SINGLE 14-16 AWG OR DOUBLE 18+20 AWG.  
UL 1007 OR 1015 STYLE WIRE.



**LARGE INSULATION CRIMP**

ADD 18+20 AWG EC NO: UCP2015-5083 DRWN: MONTI 2015/06/02 CHKD: BANDERSON 2015/06/02 APPR: FSMITH 2015/06/15	QUALITY SYMBOLS ∇=0 ∇=0 ∇=0	GENERAL TOLERANCES (UNLESS SPECIFIED)		DIMENSION STYLE IN/MM		SCALE 8:1	DESIGN UNITS INCH	THIRD ANGLE PROJECTION			
		4 PLACES ± --- ± ---	3 PLACES ± --- ± .010	2 PLACES ± 0.25 ± .014	1 PLACE ± 0.35 ± ---	0 PLACE ± --- ± ---	DRAWN BY KBP	DATE 1995/06/19	TITLE TERMINAL, CRIMP MALE TAB .125/(3.18)X.020/(0.51) SABRE - F.B.S. - TPA		
		ANGULAR ±1/2°					CHECKED BY KBP	DATE 1995/06/19	DOCUMENT NO. SD-43178-2***		
		DRAFT WHERE APPLICABLE MUST REMAIN WITHIN DIMENSIONS					APPROVED BY FSMITH	DATE 2015/06/15	SHEET NO. 1 OF 1		