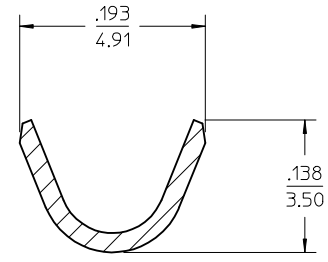
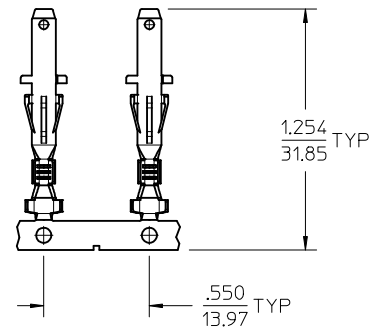


SECTION W-W
SCALE 10:1
CONDUCTOR CRIMP

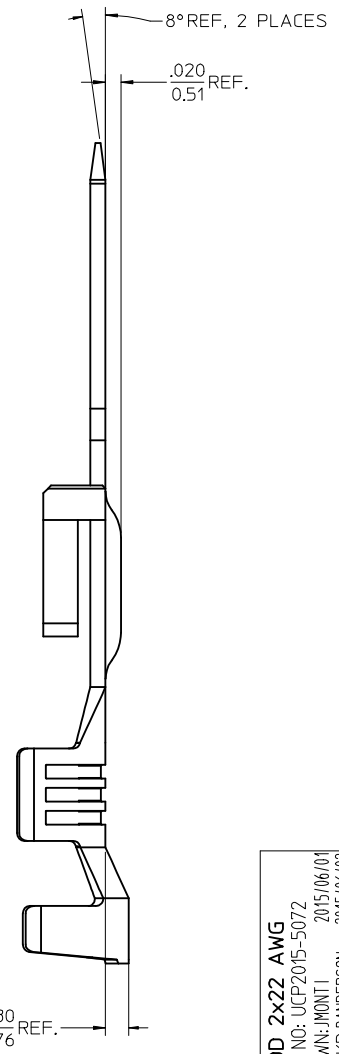
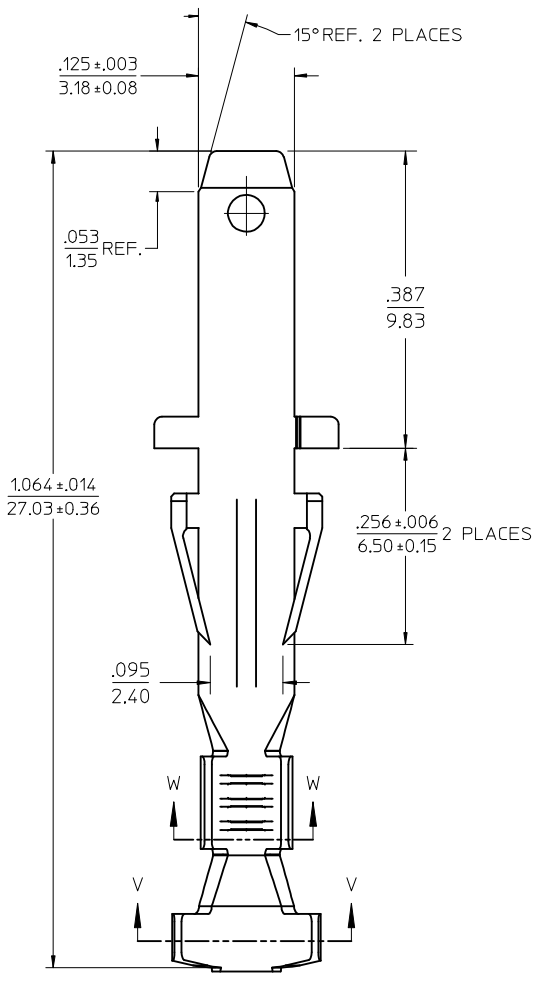


SECTION V-V
SCALE 10:1
INSULATION CRIMP

| MATERIAL NUMBER | FINISH |
|-----------------|--------|
| 43178-4001 | 999 |
| 43178-4002 | H901 |



CARRIER STRIP PROGRESSION
SCALE 2:1



NOTES

- MATERIAL: BRASS
- FINISH:
999 - UNPLATED
H901 - 20 MICRINCH / 0.5 MICROMETERE MIN. PREPLATED HOT TIN DIP
- PRODUCT SPECIFICATION: PS-44441-001
- PACKAGING: TERMINALS ARE WOUND ON 30" REELS WITH PAPER INTERLEAF. 6000 PER REEL.
- TERMINAL ACCEPTS SINGLE #18 OR #20 AWG STRANDED WIRE; INSULATION: UL TYPE 1015, .098-.110 / 2.50-2.85 DIAMETER, (.031 / 0.79 NOMINAL JACKET WALL THICKNESS) OR DOUBLE 22 AWG.
- TERMINAL FOR USE IN "SABRE" PLUG HOUSINGS, SERIES 43680. MATES TO 43374 / 43375 SERIES TERMINALS.
- TERMINAL HAS TPA (TOTAL POSITIONING ASSURANCE) OPTIONAL ACTIVATION FEATURE THAT WHEN ACTIVATED AND USED WITH MOLEX "SABRE" SERIES PLUG HOUSINGS PROVIDES A SECONDARY LOCK SYSTEM WHICH ENSURES AGAINST TERMINAL BACKOUTS.

| | | | | | | | | |
|--|--------------------------------------|--|--|-----------------|---|--------------|---|--|
| ADD 2x22 AWG EC NO: UCP2015-5072 DRWN:JMONT 2015/06/01 CHKD:ANDERSON 2015/06/02 APPR:FSMITH 2015/06/15 | QUALITY SYMBOLS ▽=0 ▽=0 ▽=0 | GENERAL TOLERANCES (UNLESS SPECIFIED) | | DIMENSION STYLE | SCALE | DESIGN UNITS | THIRD ANGLE PROJECTION TERMINAL, MALE CRIMP, 18-20 AWG, .125 WIDE TAB SABRE SERIES, W/ TPA molex DOCUMENT NO. SD-43178-002 SHEET NO. 1 OF 1 | |
| | | | | IN/MM | 8:1 | INCH | | |
| | | | | DRAWN BY | DATE | TITLE | | |
| | | | | CSTEWART | 02-23-06 | | | |
| REV A1 | DESCRIPTION ADD 2x22 AWG | | | CHECKED BY | DATE | | | |
| | | | | BWIRKUS | 02-23-06 | | | |
| | | | | APPROVED BY | DATE | | | |
| | | | | BWIRKUS | 02-23-06 | | | |
| | | ANGULAR ±1/2° | | MATERIAL NO. | | | | |
| | | DRAFT WHERE APPLICABLE MUST REMAIN WITHIN DIMENSIONS | | SIZE | | | | |
| | | | | C | THIS DRAWING CONTAINS INFORMATION THAT IS PROPRIETARY TO MOLEX INCORPORATED AND SHOULD NOT BE USED WITHOUT WRITTEN PERMISSION | | | |