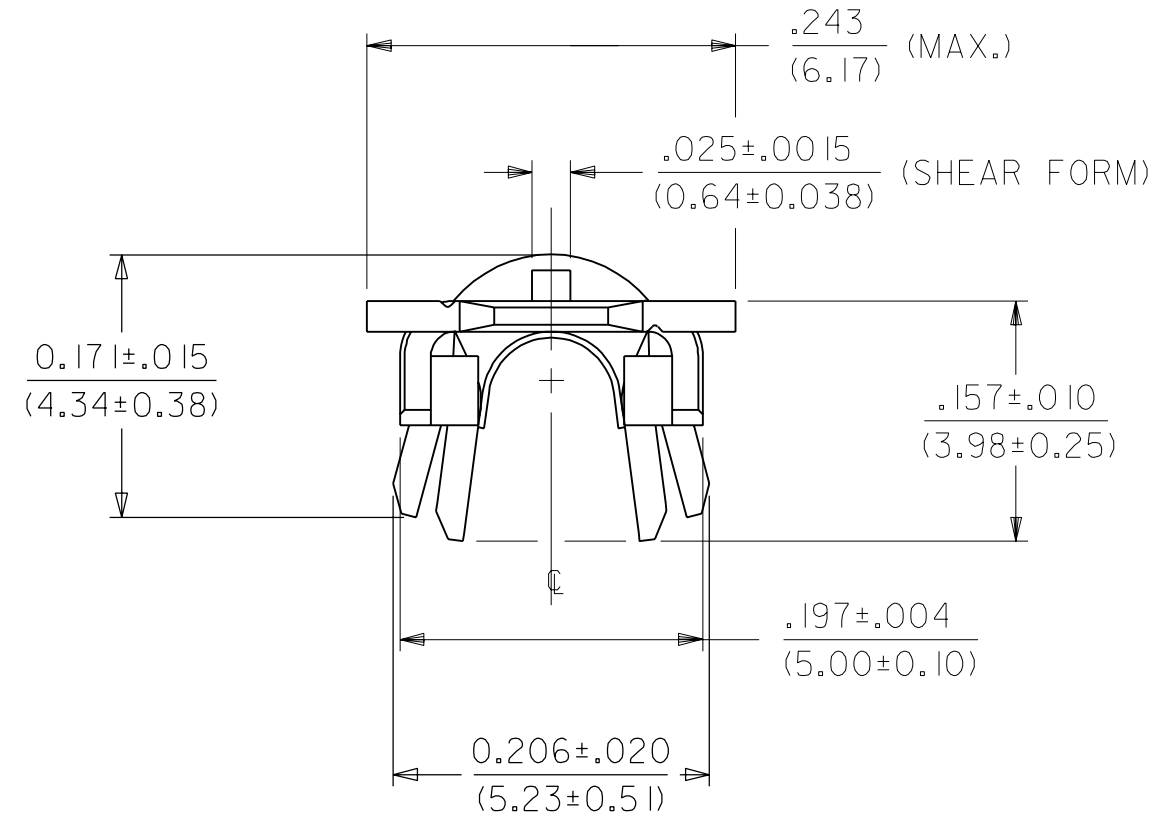
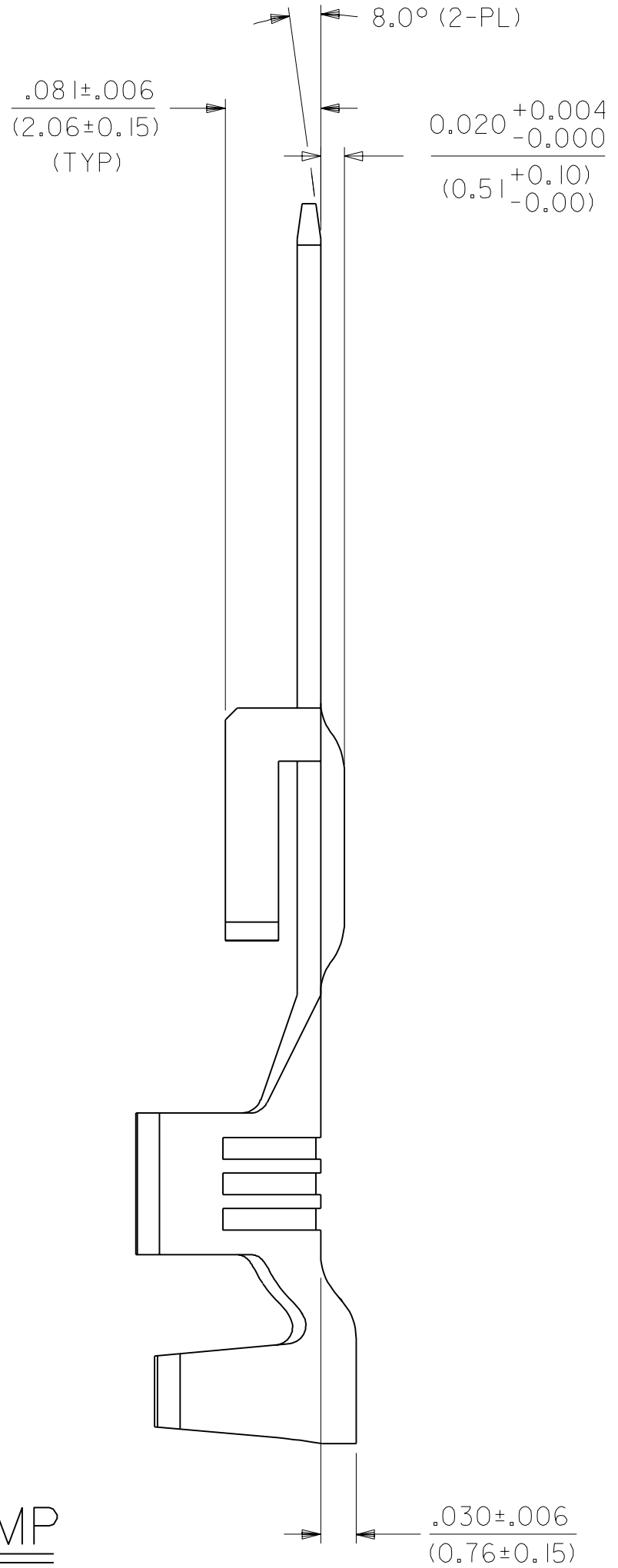
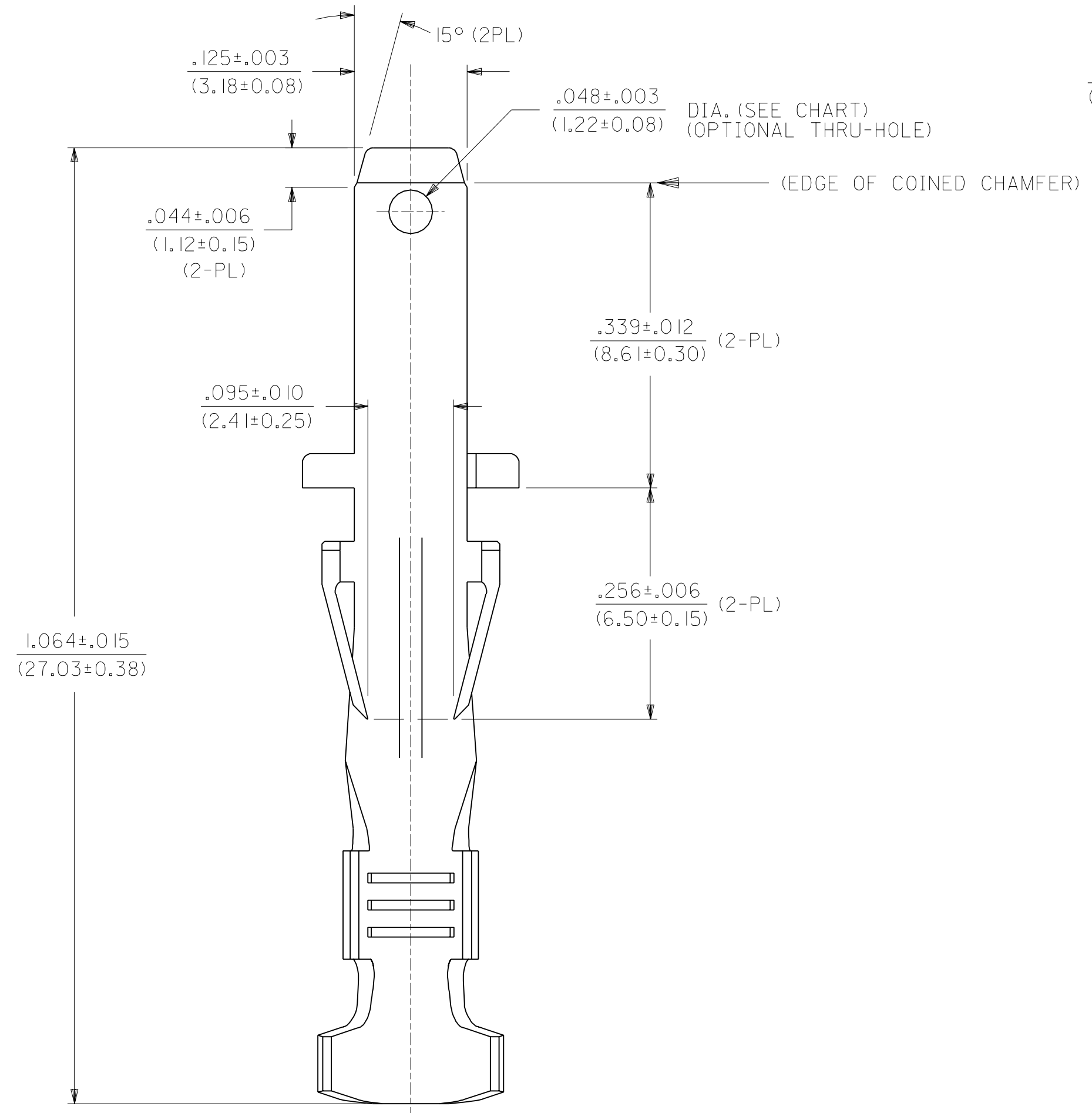


MATERIAL NUMBER	FINISH	HOLE
43178-1001	999	NOT USED
43178-1002	H901	NOT USED
43178-1003	F542	NOT USED



### NOTES

- MATERIAL: BRASS
- FINISH:  
 999 - UNPLATED  
 H901 - 20 MICROINCH MIN. HOT TIN DIP  
 F542 - 15 MICROINCH MIN. SELECT GOLD IN CONTACT AREA, 50 MICROINCH TIN-LEAD IN CRIMP AREA, NICKEL UNDERPLATE OVERALL.
- PRODUCT SPECIFICATION : PSX-44441-9999.
- TERMINAL FOR USE WITH A SINGLE #18 AWG UL TYPE 1015 WIRE, HAVING A MAXIMUM INSULATION DIAMETER OF .130/(3.30).



## SMALL INSULATION CRIMP

D1	REVISED EC*UCR2002-1132 6/27/02 BW
D	UPDATE NOTES UCR 2002-0428 BW 11/1/01
C1	REVISED PER UCR1999-0893 PELOZA 99/06/29
C	REVISED PER UCR1999-0605 PELOZA 99/03/16
B	REVISED PER UCR1999-0340 98/12/07 LENZ
A3	REVISED PER ECN# U70921 MARANTO 97/02/07
A2	REVISED PER ECN# U70225 MARANTO 96/08/28
A1	REVISED PER ECN# U60034 95/07/24 MAB
A	REMOVE "X" PER ECN# U51254 95/06/19 KBP
3	REVISED PER ECN# U50640 95/01/03
2	REVISED PER ECN# U50270 94/09/21 MAB
1	"X" RELEASE PER ECN# U31563 94/10/24 KBP

MFG.	SH.	REV.	LTR.	REVISIONS												
▽ = 0	▼ = 0	REVISE ONLY ON CAD SYSTEM														
DIMENSIONS SHOWN (METRIC) INCH UNLESS OTHERWISE SPECIFIED TOLERANCES: ANGULAR ± 1/2°																
<table border="1"> <thead> <tr> <th></th> <th>INCH</th> <th>METRIC</th> </tr> </thead> <tbody> <tr> <td>3 PLACE</td> <td>± ---</td> <td>---</td> </tr> <tr> <td>2 PLACE</td> <td>± ---</td> <td>± ---</td> </tr> <tr> <td>1 PLACE</td> <td>---</td> <td>± ---</td> </tr> </tbody> </table>			INCH	METRIC	3 PLACE	± ---	---	2 PLACE	± ---	± ---	1 PLACE	---	± ---	TITLE TERMINAL, CRIMP, MALE TAB .125/(3.18) X .020/(0.51) SABRE - F.B.S. - T.P.A.		
	INCH	METRIC														
3 PLACE	± ---	---														
2 PLACE	± ---	± ---														
1 PLACE	---	± ---														
DRAFT WHERE APPLICABLE MUST REMAIN WITHIN DIMENSIONS		MOLEX INCORPORATED LISLE, ILL. 60532 U.S.A.														
DRWG. NO. SD-43178-1***		SHEET NO. 1 OF 1 DATE 94/10/24														
DRWG. BY: KBP APP'D. BY: RAS		FILE NAME: ET43178X5.DGN THIS DRAWING CONTAINS INFORMATION THAT IS PROPRIETARY TO MOLEX INC. AND SHOULD NOT BE USED WITHOUT WRITTEN PERMISSION.														