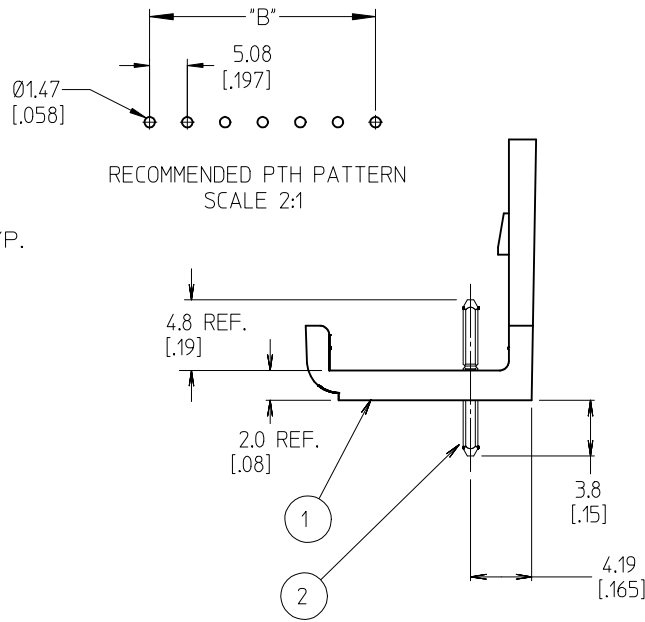
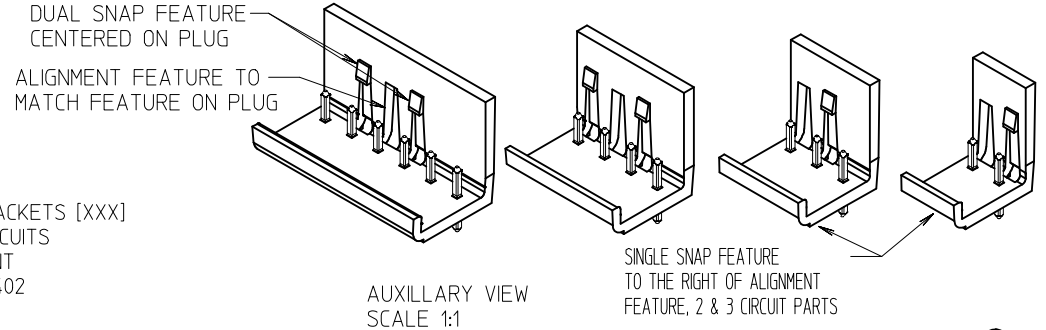


NOTES:

1. MATERIAL: SEE TABLE
2. FINISHES: SEE TABLE
3. INCH DIMS ARE SHOWN IN BRACKETS [XXX]
4. "XX" REFERS TO QTY. OF CIRCUITS
5. ASSEMBLY IS ROHS COMPLIANT
6. REPLACES DWG. SD-39980-0402



NUMBER OF CIRCUITS "XX"	DIM. "A" ±0.25 [±.010]	DIM. "B"	DIM. "C"	MATERIAL NO. TIN (STD)
02	10.77 [424]	5.08 [200]	N/A	39980-0402
03	15.85 [624]	5.08 [200]	5.08 [200]	39980-0403
04	20.93 [824]	15.24 [600]	5.08 [200]	39980-0404
05	26.01 [1024]	20.32 [800]	5.08 [200]	39980-0405
06	31.09 [1224]	25.40 [1000]	10.16 [400]	39980-0406
07	36.17 [1424]	30.48 [1200]	10.16 [400]	39980-0407
08	41.25 [1624]	35.56 [1400]	15.24 [600]	39980-0408
09	46.33 [1824]	40.64 [1600]	15.24 [600]	39980-0409
10	51.41 [2024]	45.72 [1800]	20.32 [800]	39980-0410
11	56.49 [2224]	50.80 [2000]	20.32 [800]	39980-0411
12	61.57 [2424]	55.88 [2200]	25.40 [1000]	39980-0412
13	66.65 [2624]	60.96 [2400]	25.40 [1000]	39980-0413
14	71.73 [2824]	66.04 [2600]	30.48 [1200]	39980-0414
15	76.81 [3024]	71.12 [2800]	30.48 [1200]	39980-0415
16	81.89 [3224]	76.20 [3000]	35.56 [1400]	39980-0416
17	86.97 [3424]	81.28 [3200]	35.56 [1400]	39980-0417
18	92.05 [3624]	86.36 [3400]	40.64 [1600]	39980-0418
19	97.13 [3824]	91.44 [3600]	40.64 [1600]	39980-0419
20	102.21 [4024]	96.52 [3800]	45.72 [1800]	39980-0420
21	107.29 [4224]	101.60 [4000]	45.72 [1800]	39980-0421
22	112.37 [4424]	106.68 [4200]	50.80 [2000]	39980-0422
23	117.45 [4624]	111.76 [4400]	50.80 [2000]	39980-0423
24	122.53 [4824]	116.84 [4600]	55.88 [2200]	39980-0424

REMOVED GOLD OPT EC NO: IPG2016-1388 TIDRWAHSTONE 2016/04/13 CHKD:MZ/LEL INSK1 2016/04/20 APPR:BRUPERT 2016/04/22	DESCRIPTION REV	QUALITY SYMBOLS ▽=0 ▽=0	GENERAL TOLERANCES (UNLESS SPECIFIED)	DIMENSION STYLE MM/IN	SCALE	DESIGN UNITS INCH	THIRD ANGLE PROJECTION
			mm INCH	DRAWN BY DATE R. KEMP 2001/12/05	TITLE 5.08/200 SINGLE ROW EUROSTYLE HEADER ASSEMBLY		
			4 PLACES ± --- ± --- 3 PLACES ± --- ± .005 2 PLACES ± 0.13 ± .01 1 PLACE ± 0.3 ± ---	CHECKED BY DATE R. KEMP 2003/10/07			
			ANGULAR ± 2 °	APPROVED BY DATE L. ROTHMAUS 2003/10/17	MATERIAL NO.	DOCUMENT NO. SD-39980-006	SHEET NO. 1 OF 1
DRAFT WHERE APPLICABLE MUST REMAIN WITHIN DIMENSIONS			SEE CHART	THIS DRAWING CONTAINS INFORMATION THAT IS PROPRIETARY TO MOLEX INCORPORATED AND SHOULD NOT BE USED WITHOUT WRITTEN PERMISSION			

ITEM	QTY.	DESCRIPTION	MATERIAL	FINISH
2	XX	HEADER PIN	BRASS	TIN
1	1	INSULATOR	NYLON	BLACK