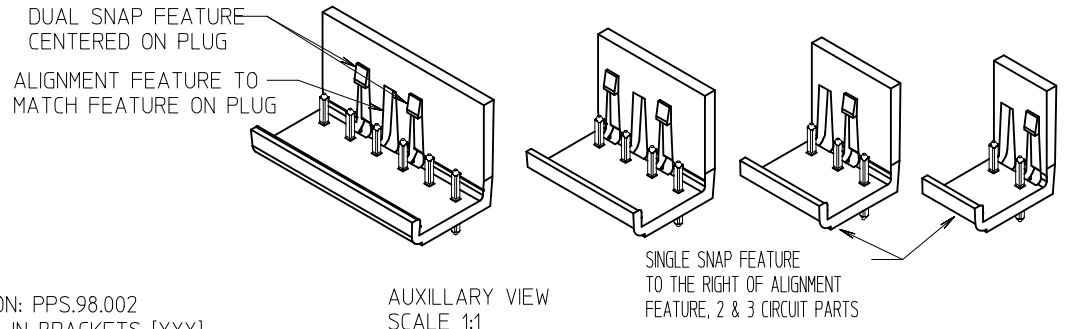
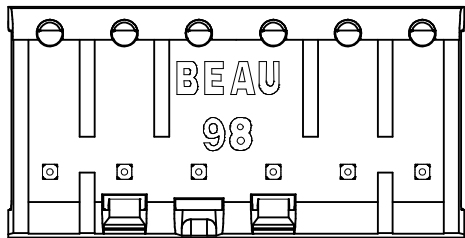
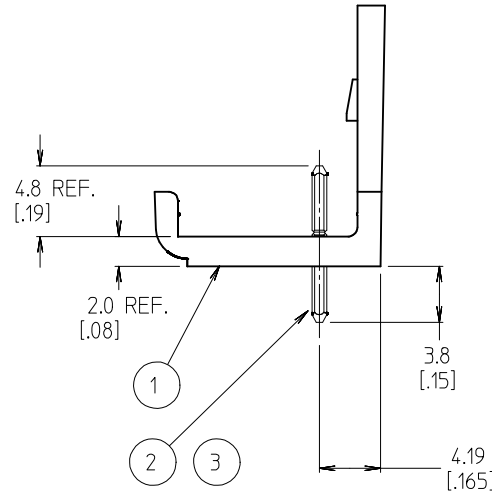


1.00 SQ. [0.039] TYP.



NOTES:

1. MATERIAL: SEE TABLE
2. FINISHES: SEE TABLE
3. PRODUCT SPECIFICATION: PPS.98.002
4. INCH DIMS ARE SHOWN IN BRACKETS [XXX].
5. *XX* REFERS TO QTY. OF CIRCUITS.
6. ASSEMBLY IS ROHS COMPLIANT.
7. REPLACES DWG. SD-39980-0402.



NUMBER OF CIRCUITS *XX*	DIM. 'A'	DIM. 'B'	DIM. 'C' *013	MATERIAL NO. TIN (STD)	MATERIAL NO. GOLD OPTION
02	10.77 [0.424]	5.08 [0.200]	N/A	39980-0402	39981-0402
03	15.85 [0.624]	10.16 [0.400]	5.08 [0.200]	39980-0403	39981-0403
04	20.93 [0.824]	15.24 [0.600]	5.08 [0.200]	39980-0404	39981-0404
05	26.01 [1.024]	20.32 [0.800]	5.08 [0.200]	39980-0405	39981-0405
06	31.09 [1.224]	25.40 [1.000]	10.16 [0.400]	39980-0406	39981-0406
07	36.17 [1.424]	30.48 [1.200]	10.16 [0.400]	39980-0407	39981-0407
08	41.25 [1.624]	35.56 [1.400]	15.24 [0.600]	39980-0408	39981-0408
09	46.33 [1.824]	40.64 [1.600]	15.24 [0.600]	39980-0409	39981-0409
10	51.41 [2.024]	45.72 [1.800]	20.32 [0.800]	39980-0410	39981-0410
11	56.49 [2.224]	50.80 [2.000]	20.32 [0.800]	39980-0411	39981-0411
12	61.57 [2.424]	55.88 [2.200]	25.40 [1.000]	39980-0412	39981-0412
13	66.65 [2.624]	60.96 [2.400]	25.40 [1.000]	39980-0413	39981-0413
14	71.73 [2.824]	66.04 [2.600]	30.48 [1.200]	39980-0414	39981-0414
15	76.81 [3.024]	71.12 [2.800]	30.48 [1.200]	39980-0415	39981-0415
16	81.89 [3.224]	76.20 [3.000]	35.56 [1.400]	39980-0416	39981-0416
17	86.97 [3.424]	81.28 [3.200]	35.56 [1.400]	39980-0417	39981-0417
18	92.05 [3.624]	86.36 [3.400]	40.64 [1.600]	39980-0418	39981-0418
19	97.13 [3.824]	91.44 [3.600]	40.64 [1.600]	39980-0419	39981-0419
20	102.21 [4.024]	96.52 [3.800]	45.72 [1.800]	39980-0420	39981-0420
21	107.29 [4.224]	101.60 [4.000]	45.72 [1.800]	39980-0421	39981-0421
22	112.37 [4.424]	106.68 [4.200]	50.80 [2.000]	39980-0422	39981-0422
23	117.45 [4.624]	111.76 [4.400]	50.80 [2.000]	39980-0423	39981-0423
24	122.53 [4.824]	116.84 [4.600]	55.88 [2.200]	39980-0424	39981-0424

WIDTH WAS .62/IS .60 EC NO: MNA2009-0464 DRW:NYC 2009/02/03 CHKD:RDR 2009/02/05 APPR:RDR 2009/02/09	QUALITY SYMBOLS	GENERAL TOLERANCES (UNLESS SPECIFIED)	DIMENSION STYLE	SCALE	DESIGN UNITS	THIRD ANGLE PROJECTION	
	▽=0 ▽=0	mm INCH 4 PLACES ± --- ± --- 3 PLACES ± --- ± .005 2 PLACES ± 0.13 ± .01 1 PLACE ± 0.3 ± --- ANGULAR ± 2 °	MM/IN	3:1	INCH	DRAWN BY DATE R. KEMP 2001/12/05 CHECKED BY DATE R. KEMP 2003/10/07 APPROVED BY DATE L. ROTHHAUS 2003/10/17	TITLE 5.08/200 SINGLE ROW EUROSTYLE HEADER ASSEMBLY
	DRAFT WHERE APPLICABLE MUST REMAIN WITHIN DIMENSIONS	SEE CHART	MATERIAL NO.	DOCUMENT NO.	MOLEX INCORPORATED SD-39980-006		
		SIZE B	THIS DRAWING CONTAINS INFORMATION THAT IS PROPRIETARY TO MOLEX INCORPORATED AND SHOULD NOT BE USED WITHOUT WRITTEN PERMISSION		SHEET NO. 1 OF 1		

ITEM	QTY.	DESCRIPTION	MATERIAL	FINISH
3	XX	HEADER PIN GOLD	BRASS	GOLD
2	XX	HEADER PIN	BRASS	TIN
1	1	INSULATOR	NYLON	BLACK