

10 9 8 7 6 5 4 3 2 1

F

E

D

C

B

A

F

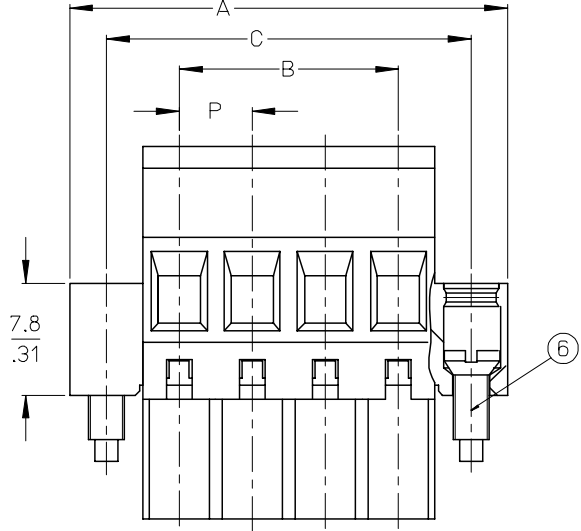
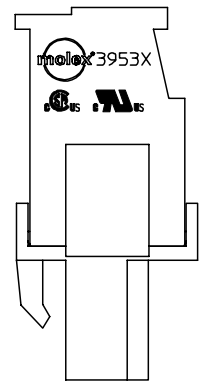
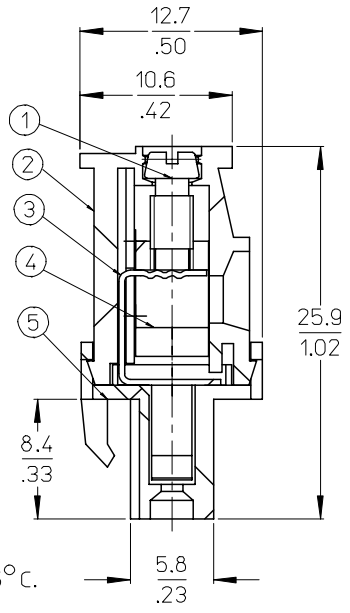
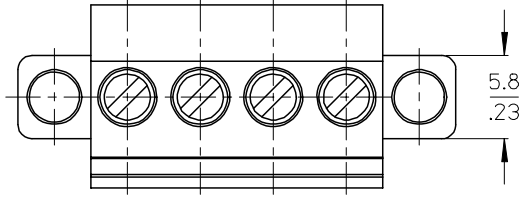
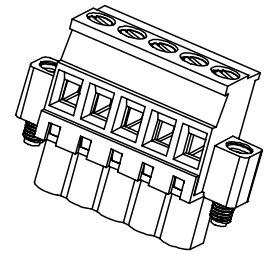
E

D

C

B

A



SPECIFICATIONS

1. Material:
 - (1). Screw: Steel
 - (2). Body: PA66
 - (3). Terminal: Phosphor Bronze
 - (4). Cage: Brass
 - (5). Cover: PA66
 - (6). Screw: Steel
2. Wire range: 12 - 26AWG
3. Electrical rating: 300V, 10A.
4. Wire strip length: 5.0mm.
5. Operating temperature: -40°C to +105°C.
6. Max torque: 3 in.-lbs.
7. Insulation resistance: DC 500V, 500 Megohms.
8. Dielectric withstand: AC 2500V for 1 minute
9. Breakdown voltage: 4000V
10. Contact resistance: <10 milliohms
11. DIM. A = (N + 2)X P
12. DIM. B = (N - 1)X P
13. DIM. C = (N + 1)X P
14. DIM. P (PITCH) = 5.08mm (.200")
15. N = Number of positions available 2 through 24.
16. ALL COMPONENTS ARE ROHS COMPLIANT.

RELEASE TO PROD EC NO: ETC2006-0308 DRWN: C YORK 2006/03/23 CHKD: R DEROSS 2006/03/24 APPR: R DEROSS 2006/03/24	DESCRIPTION QUALITY SYMBOLS ▽=0 ▽=0	GENERAL TOLERANCES (UNLESS SPECIFIED)		DIMENSION STYLE MM/IN		SCALE 3:1	DESIGN UNITS INCH	THIRD ANGLE PROJECTION	
		4 PLACES ± --- ±.0015	3 PLACES ±0.038 ±.005	DRAWN BY C. YORK	DATE 2006/03/16	TITLE 5.08MM, EURO PLUG, VERTICAL FRONT WIRE ENTRY WITH MOUNTING ENDS			
		2 PLACES ±0.13 ±.01	1 PLACE ±0.3 ± ---	CHECKED BY R. DEROSS	DATE 2006/03/16	APPROVED BY R. DEROSS			
		ANGULAR ± 2 °		MATERIAL NO. SEE SHT. 2		DOCUMENT NO. SD-39537-002		SHEET NO. 1 OF 2	
DRAFT WHERE APPLICABLE MUST REMAIN WITHIN DIMENSIONS				THIS DRAWING CONTAINS INFORMATION THAT IS PROPRIETARY TO MOLEX INCORPORATED AND SHOULD NOT BE USED WITHOUT WRITTEN PERMISSION					

9 8 7 6 5 4 3 2 1

F

E

D

C

B

A

Description	Circuit size	Material Numbers												Dimensional Information					
		Black						Green						Dim A		Dim B		Dim C	
		100% Tin			30 u" Gold			100% Tin			30 u" Gold			mm	inch	mm	inch	mm	inch
		Printing Options		11AV	Printing Options		11AV	Printing Options		11AV	Printing Options		11AV						
5.08mm, Euro Plug, Vertical FWE, Mounting Ends	2	395372002	395372302	395372402	395372502	395372802	395372902	395377002	395377302	395377402	395377502	395377802	395377902	20.3	0.80	5.1	0.20	15.2	0.60
5.08mm, Euro Plug, Vertical FWE, Mounting Ends	3	395372003	395372303	395372403	395372503	395372803	395372903	395377003	395377303	395377403	395377503	395377803	395377903	25.4	1.00	10.2	0.40	20.3	0.80
5.08mm, Euro Plug, Vertical FWE, Mounting Ends	4	395372004	395372304	395372404	395372504	395372804	395372904	395377004	395377304	395377404	395377504	395377804	395377904	30.5	1.20	15.2	0.60	25.4	1.00
5.08mm, Euro Plug, Vertical FWE, Mounting Ends	5	395372005	395372305	395372405	395372505	395372805	395372905	395377005	395377305	395377405	395377505	395377805	395377905	35.6	1.40	20.3	0.80	30.5	1.20
5.08mm, Euro Plug, Vertical FWE, Mounting Ends	6	395372006	395372306	395372406	395372506	395372806	395372906	395377006	395377306	395377406	395377506	395377806	395377906	40.6	1.60	25.4	1.00	35.6	1.40
5.08mm, Euro Plug, Vertical FWE, Mounting Ends	7	395372007	395372307	395372407	395372507	395372807	395372907	395377007	395377307	395377407	395377507	395377807	395377907	45.7	1.80	30.5	1.20	40.6	1.60
5.08mm, Euro Plug, Vertical FWE, Mounting Ends	8	395372008	395372308	395372408	395372508	395372808	395372908	395377008	395377308	395377408	395377508	395377808	395377908	50.8	2.00	35.6	1.40	45.7	1.80
5.08mm, Euro Plug, Vertical FWE, Mounting Ends	9	395372009	395372309	395372409	395372509	395372809	395372909	395377009	395377309	395377409	395377509	395377809	395377909	55.9	2.20	40.6	1.60	50.8	2.00
5.08mm, Euro Plug, Vertical FWE, Mounting Ends	10	395372010	395372310	395372410	395372510	395372810	395372910	395377010	395377310	395377410	395377510	395377810	395377910	61.0	2.40	45.7	1.80	55.9	2.20
5.08mm, Euro Plug, Vertical FWE, Mounting Ends	11	395372011	395372311	395372411	395372511	395372811	395372911	395377011	395377311	395377411	395377511	395377811	395377911	66.0	2.60	50.8	2.00	61.0	2.40
5.08mm, Euro Plug, Vertical FWE, Mounting Ends	12	395372012	395372312	395372412	395372512	395372812	395372912	395377012	395377312	395377412	395377512	395377812	395377912	71.1	2.80	55.9	2.20	66.0	2.60
5.08mm, Euro Plug, Vertical FWE, Mounting Ends	13	395372013	395372313	395372413	395372513	395372813	395372913	395377013	395377313	395377413	395377513	395377813	395377913	76.2	3.00	61.0	2.40	71.1	2.80
5.08mm, Euro Plug, Vertical FWE, Mounting Ends	14	395372014	395372314	395372414	395372514	395372814	395372914	395377014	395377314	395377414	395377514	395377814	395377914	81.3	3.20	66.0	2.60	76.2	3.00
5.08mm, Euro Plug, Vertical FWE, Mounting Ends	15	395372015	395372315	395372415	395372515	395372815	395372915	395377015	395377315	395377415	395377515	395377815	395377915	86.4	3.40	71.1	2.80	81.3	3.20
5.08mm, Euro Plug, Vertical FWE, Mounting Ends	16	395372016	395372316	395372416	395372516	395372816	395372916	395377016	395377316	395377416	395377516	395377816	395377916	91.4	3.60	76.2	3.00	86.4	3.40
5.08mm, Euro Plug, Vertical FWE, Mounting Ends	17	395372017	395372317	395372417	395372517	395372817	395372917	395377017	395377317	395377417	395377517	395377817	395377917	96.5	3.80	81.3	3.20	91.4	3.60
5.08mm, Euro Plug, Vertical FWE, Mounting Ends	18	395372018	395372318	395372418	395372518	395372818	395372918	395377018	395377318	395377418	395377518	395377818	395377918	101.6	4.00	86.4	3.40	96.5	3.80
5.08mm, Euro Plug, Vertical FWE, Mounting Ends	19	395372019	395372319	395372419	395372519	395372819	395372919	395377019	395377319	395377419	395377519	395377819	395377919	106.7	4.20	91.4	3.60	101.6	4.00
5.08mm, Euro Plug, Vertical FWE, Mounting Ends	20	395372020	395372320	395372420	395372520	395372820	395372920	395377020	395377320	395377420	395377520	395377820	395377920	111.8	4.40	96.5	3.80	106.7	4.20
5.08mm, Euro Plug, Vertical FWE, Mounting Ends	21	395372021	395372321	395372421	395372521	395372821	395372921	395377021	395377321	395377421	395377521	395377821	395377921	116.8	4.60	101.6	4.00	111.8	4.40
5.08mm, Euro Plug, Vertical FWE, Mounting Ends	22	395372022	395372322	395372422	395372522	395372822	395372922	395377022	395377322	395377422	395377522	395377822	395377922	121.9	4.80	106.7	4.20	116.8	4.60
5.08mm, Euro Plug, Vertical FWE, Mounting Ends	23	395372023	395372323	395372423	395372523	395372823	395372923	395377023	395377323	395377423	395377523	395377823	395377923	127.0	5.00	111.8	4.40	121.9	4.80
5.08mm, Euro Plug, Vertical FWE, Mounting Ends	24	395372024	395372324	395372424	395372524	395372824	395372924	395377024	395377324	395377424	395377524	395377824	395377924	132.1	5.20	116.8	4.60	127.0	5.00

SEE SHEET 1 EC NO: ETC2006-0308 DRWNG: YORK 2006/03/12 CHKDR: DEROSS 2006/03/14 APPR: DEROSS 2006/03/14	QUALITY SYMBOLS ▽=0 ▽=0	GENERAL TOLERANCES (UNLESS SPECIFIED) mm INCH 4 PLACES ± --- ±.0015 3 PLACES ±0.038 ±.005 2 PLACES ±0.13 ±.01 1 PLACE ±0.3 ± --- ANGULAR ± 2 °	DIMENSION STYLE MM/IN DRAWN BY C. YORK DATE 2006/03/16 CHECKED BY R. DEROSS DATE 2006/03/16 APPROVED BY R. DEROSS DATE 2006/03/16	SCALE 3:1 DESIGN UNITS INCH THIRD ANGLE PROJECTION
	DRAFT WHERE APPLICABLE MUST REMAIN WITHIN DIMENSIONS	MATERIAL NO. SEE CHART SIZE B THIS DRAWING CONTAINS INFORMATION THAT IS PROPRIETARY TO MOLEX INCORPORATED AND SHOULD NOT BE USED WITHOUT WRITTEN PERMISSION	TITLE 5.08MM, EURO PLUG, VERTICAL FRONT WIRE ENTRY WITH MOUNTING ENDS MOLEX MOLEX INCORPORATED	SHEET NO. 2 OF 2
	DOCUMENT NO. SD-39537-002			