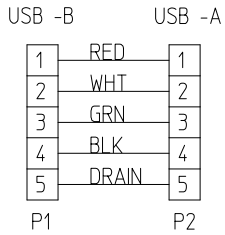
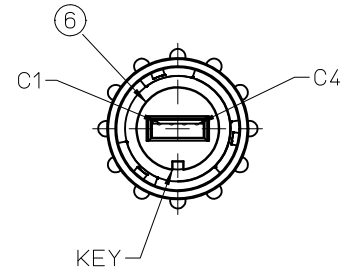
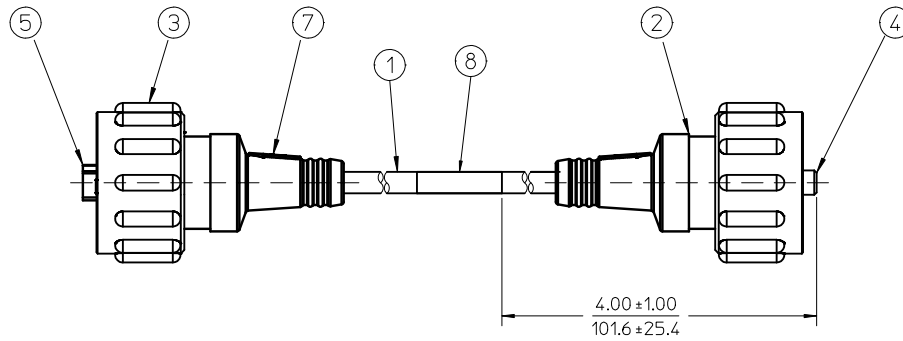
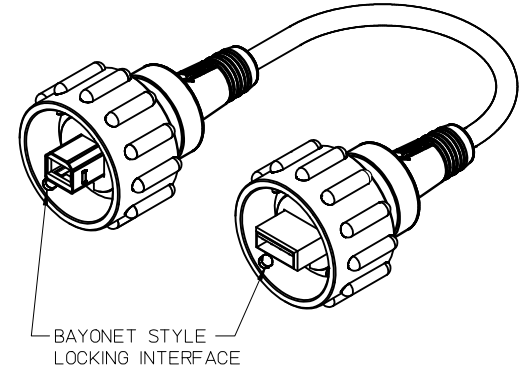
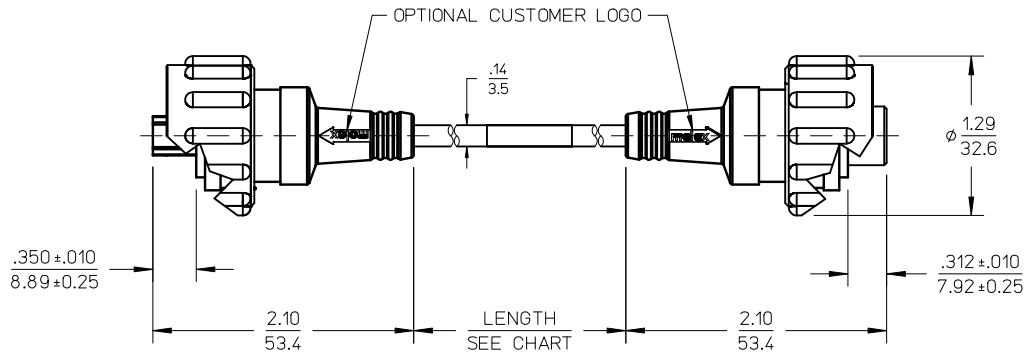


PART NO.	LENGTH
847320001	0.8M (31.50") +1.0"/-0.0"
847320002	1.5M (59.06") +1.5"/-0.0"
847320003	2.0M (78.74") +1.5"/-0.0"
847320004	3.0M (118.11") +1.5"/-0.0"
847320005	5.0M (196.85") +2.0"/-0.0"



WIRING DIAGRAM



NOTES: UNLESS OTHERWISE SPECIFIED

1. MATERIAL: SEE TABLE.
2. FINISH: SEE TABLE.
3. PRODUCT SPECIFICATION: SEE SPECIFICATION.
4. PACKAGING: AS REQUIRED.
5. MATES WITH BAYONET STYLE USB A & B BAYONET LOCKING RECEPTACLES.
6. ASSEMBLY IS RoHS COMPLIANT.

8	1	WRAP LABEL	PLASTIC FILM	BLACK/YELLOW
7	2	OVERMOLD	PVC	BLACK
6	2	GASKET SEAL	NITRILE	BLACK
5	1	USB TYPE -B SHIELDED PLUG	-	-
4	1	USB TYPE -A SHIELDED PLUG	-	-
3	2	COUPLING RING	POLYESTER	BLACK
2	2	HOLDERS USB A-B	POLYESTER	BLACK
1	1	CABLE 4/C, 28AWG, SHIELD/DRAIN USB	-	BLACK
ITEM	QTY.	DESCRIPTION	MATERIAL NO.	FINISH

ADD WRAP LABEL EC NO: WNA2010-0206 DRAWN: YOU 2009/10/19 CHKDR: STONE 2009/12/15 APPR: JF MURPHY 2009/12/15	QUALITY SYMBOLS
	▼=0 ▽=0
	DESCRIPTION
	REV

GENERAL TOLERANCES (UNLESS SPECIFIED)	
mm	INCH
4 PLACES ± ---	± ---
3 PLACES ± ---	± .005
2 PLACES ± 0.13	± .01
1 PLACE ± 0.3	± ---
ANGULAR ± 2 °	

DRAFT WHERE APPLICABLE
MUST REMAIN WITHIN DIMENSIONS

DIMENSION STYLE	
IN/MM	
DRAWN BY	DATE
S. GILBERT	11-30-04
CHECKED BY	DATE
APPROVED BY	DATE
JF MURPHY	2009/12/15
MATERIAL NO.	DOCUMENT NO.
SEE CHART	SD-84732-001

SCALE	DESIGN UNITS	THIRD ANGLE PROJECTION
1:1	INCH	
USB DUAL PLUG TYPE A & B COUPLER SHIELDED CABLE CIC, DE EXT CORD		
MOLEX INCORPORATED		
SHEET NO.		1 OF 1

THIS DRAWING CONTAINS INFORMATION THAT IS PROPRIETARY TO MOLEX INCORPORATED AND SHOULD NOT BE USED WITHOUT WRITTEN PERMISSION