

| PART NO. | LENGTH | REF. OVERALL LENGTH |
|-----------|------------------|--------------------------|
| 847281002 | 1.5M (4' 11.06") | 1.55M (5 FT 1 1/8 IN) |
| 847281001 | 2.0M (6' 6.74") | 2.05M (6 FT 8 13/16 IN.) |
| 847281003 | 3.0M (9' 10.10") | 3.05M (10 FT 3/16 IN) |
| 847281004 | 5.0M (16' 4.85") | 5.05M (16 FT 6 7/8 IN) |
| 847281005 | 0.15M (0' 5.91") | 0.20M (0 FT 8 IN) |
| 847281905 | 0.28M (10.84") | 0.33M (1 FT 15/16 IN) |

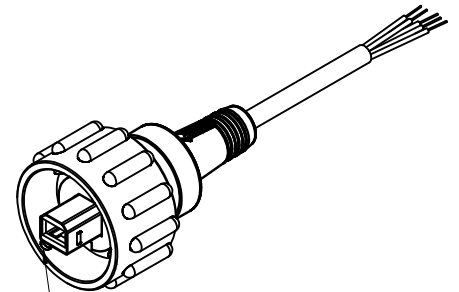
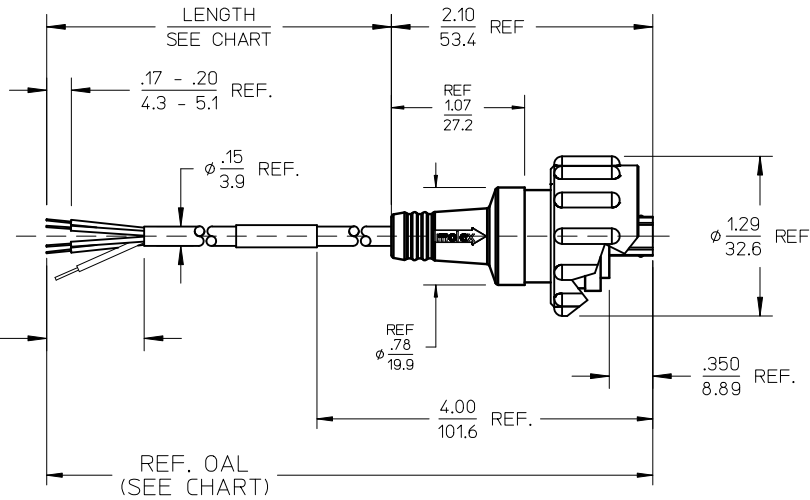
(K)

| P1 | |
|-------|---|
| RED | 1 |
| WHT | 2 |
| GRN | 3 |
| BLK | 4 |
| DRAIN | |

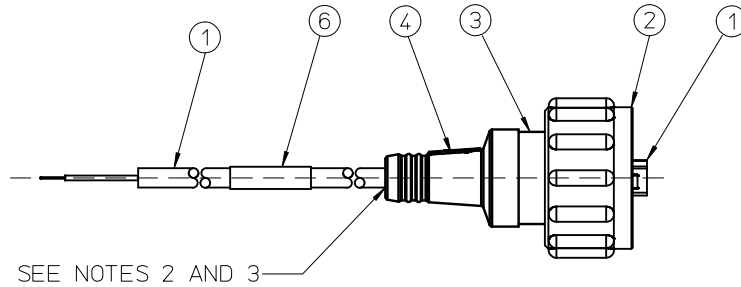
SHIELD

WIRING DIAGRAM

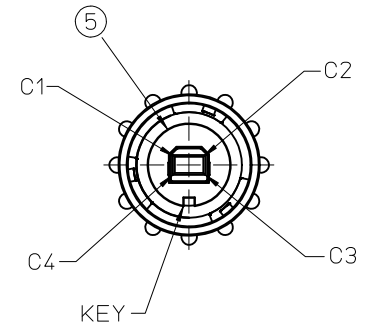
.75 - 1.00 REF.
19.0 - 25.4



BAYONET STYLE LOCKING INTERFACE



SEE NOTES 2 AND 3



KEY

- NOTES: UNLESS OTHERWISE SPECIFIED.
1. MATERIAL: SEE TABLE.
 2. FINISHES: SEE TABLE.
 3. PRODUCT SPEC: PS-84727-002
 4. PACKAGING: SEALED POLY BAG.
 5. MATES WITH: USB TYPE-B RECEPTACLES.
 6. ASSEMBLY IS RoHS COMPLIANT.

| ITEM | QTY. | DESCRIPTION | MATERIAL | FINISH |
|------|------|----------------------------------|---------------|--------------|
| 6 | 1 | WRAP LABEL | PLASTIC FILM | BLACK/YELLOW |
| 5 | 1 | GASKET SEAL | NITRILE | BLACK |
| 4 | 1 | OVER MOLDING | PVC | BLACK |
| 3 | 1 | HOLDER | POLYESTER | BLACK |
| 2 | 1 | COUPLING RING | POLYESTER | BLACK |
| 1 | 1 | USB TYPE-A PLUG SHIELDED PIGTAIL | BRASS/PLASTIC | |

| | | | | |
|--|---|--|--|--|
| ADDED P/N EC NO: WNA2011-0167 DR: WAINSTONE 2010/10/19 CHKD: HARTMANN 2010/10/26 APPR: JF MURPHY 2010/12/14 K | QUALITY SYMBOLS ▽=0 ▽=0 | GENERAL TOLERANCES (UNLESS SPECIFIED) mm INCH 4 PLACES ± --- ± --- 3 PLACES ± --- ± .005 2 PLACES ± 0.13 ± .01 1 PLACE ± 0.3 ± --- ANGULAR ± 2 ° | DIMENSION STYLE IN/MM DRAWN BY DATE S. GILBERT 06-29-04 CHECKED BY DATE G. ROBERTSON 10-05-04 APPROVED BY DATE JF MURPHY 2009/12/15 | SCALE 1:1 DESIGN UNITS INCH THIRD ANGLE PROJECTION |
| | TITLE PLUG, USB TYPE-B, SHIELDED, PIGTAIL CIC | | | |
| | MATERIAL NO. SEE CHART DOCUMENT NO. SD-84728-001 SHEET NO. 1 OF 1 | | | |
| | DRAFT WHERE APPLICABLE MUST REMAIN WITHIN DIMENSIONS THIS DRAWING CONTAINS INFORMATION THAT IS PROPRIETARY TO MOLEX INCORPORATED AND SHOULD NOT BE USED WITHOUT WRITTEN PERMISSION | | | |