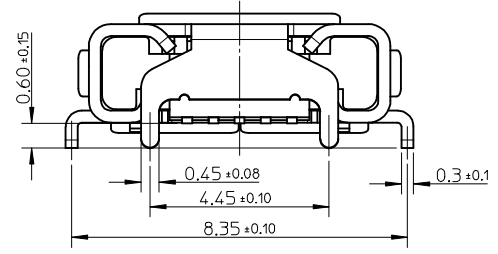
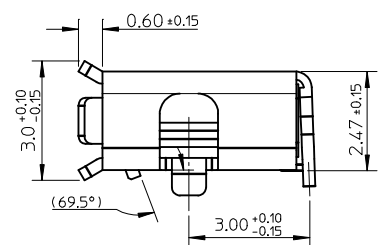
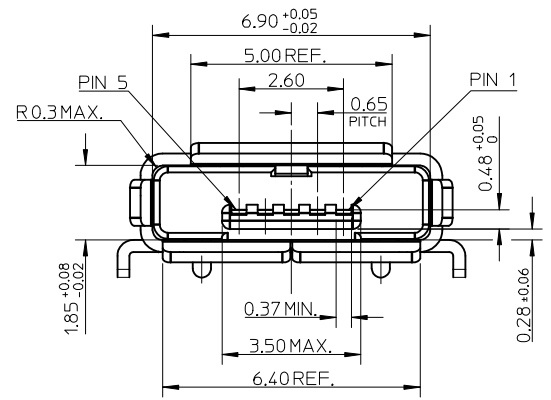
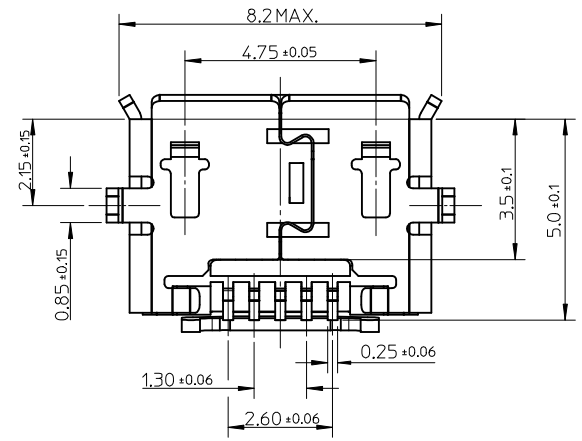


RECOMMENDED P.C.B. PATTERN LAYOUT



NOTE :

- MATERIAL :
 HOUSING : LCP, GRAY, UL94V-0
 TERMINAL : COPPER ALLOY THICKNESS = 0.15 MM
 SHIELD CASE : STAINLESS STEEL THICKNESS = 0.30 MM
- PLATING :
 TERMINAL: CONTACT AREA : GOLD FLASH (0.11 MICRON MIN.) OVER MINIMUM 0.75 MICRON Pd/Ni.
 SOLDER TAIL AREA : GOLD FLASH (0.05 MICRON MIN.).
 UNDER PLATING : NICKEL 2.0 MICROMN MINIMUM.
 SHIELD : MATTE TIN 1.27 MICRON MINIMUM.
 UNDER PLATING : NICKEL 1.27 MICRON MINIMUM.
- TAIL COPLANARITY 0.08 MM MAXIMUM.
- COMPLIANT TO RoHS DIRECTIVE 2002/95/EC AND ELV IDRECTIVE 2000/53/EC.



NEW RELEASE EC NO: SH2011-0342 DRWN: XJSONG CHKD: APPR: RZHANG	QUALITY SYMBOLS F ₁ = 0 F ₂ = 0 F ₃ = 0	GENERAL TOLERANCES (UNLESS SPECIFIED)		DIMENSION STYLE MM ONLY		SCALE 1:1	DESIGN UNITS METRIC	THIRD ANGLE PROJECTION		
		mm	INCH	DRAWN BY XJSONG	DATE 2011/05/18	TITLE MICRO USB AB REC. TOP MOUNT ASS'Y				
		4 PLACES ± ---	± ---	CHECKED BY XJSONG	DATE 2011/05/18	MATERIAL NO. 47590-1001				
		3 PLACES ± ---	± ---	APPROVED BY RZHANG	DATE 2011/09/05	DOCUMENT NO. SD-47590-101				
A	REV	DRAFT WHERE APPLICABLE MUST REMAIN WITHIN DIMENSIONS		SIZE A3	THIS DRAWING CONTAINS INFORMATION THAT IS PROPRIETARY TO MOLEX INCORPORATED AND SHOULD NOT BE USED WITHOUT WRITTEN PERMISSION					
						MOLEX INCORPORATED		SHEET NO. 1 OF 1		