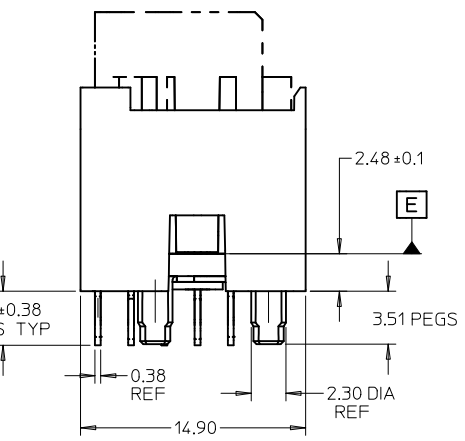
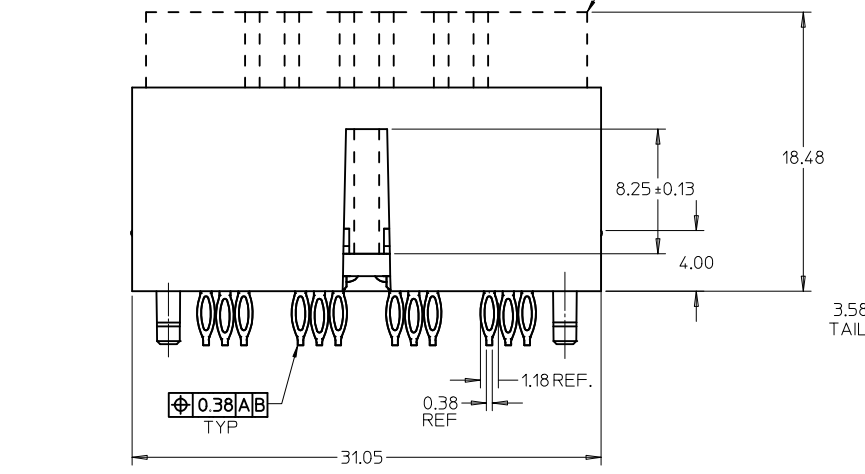
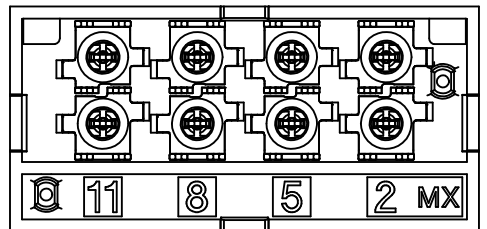


MATERIAL NO.	TERMINAL LOADING BY POSITION	PACKAGING
74712-0001	2, 5, 8, 11	PK-74712-001
74712-0002	2	PK-74712-001
74712-0003	2, 5, 8, 11	PK-74712-002

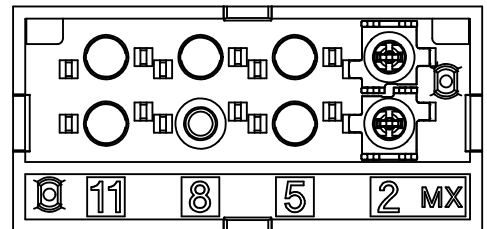
- NOTES:
- MATERIAL:
    - HOUSING: GLASS FILLED THERMO PLASTIC, 94V-0
    - INSULATOR: GLASS FILLED THERMO PLASTIC, 94V-0
    - PACKAGING HEADER: GLASS FILLED THERMO PLASTIC, 94V-0
    - TERMINALS AND GROUND: TIN BRASS
    - OUTER GROUND CONTACT: PHOSPHOR BRONZE
  - PLATING:
    - TERMINALS:
      - SELECTIVE 0.76 MICRONS MIN. GOLD IN CONTACT AREA
      - SELECTIVE 0.88 MICRONS MIN. TIN BOTH OVER
      - 1.27 MICRONS MIN. NICKEL UNDERPLATE
    - GROUNDS:
      - 0.88 MICRONS MIN. TIN OVERALL OVER
      - 1.27 MICRONS MIN. NICKEL UNDERPLATE
    - OUTER GROUND CONTACT:
      - 0.76 MICRONS MIN. GOLD OVERALL OVER
      - 1.27 MICRONS MIN. NICKEL UNDERPLATE
  - REFER TO PRODUCT SPEC.: PS-74854-001 FOR ELECTRICAL, MECHANICAL AND ENVIRONMENTAL REQUIREMENTS.
  - REFER TO PACKAGING SPEC STATED IN CHARTS FOR DETAILS OF THE PACKAGING REQUIREMENTS.
  - DATE CODE MARKING TO BE LOCATED ANYWHERE ON PLASTIC HOUSING. FIRST TWO DIGITS = WEEK NUMBER. LAST TWO DIGITS = YEAR.
  - THIS PART CONFORMS TO CLASS B REQUIREMENTS OF MOLEX COSMETIC SPECIFICATION PS-45499-002.



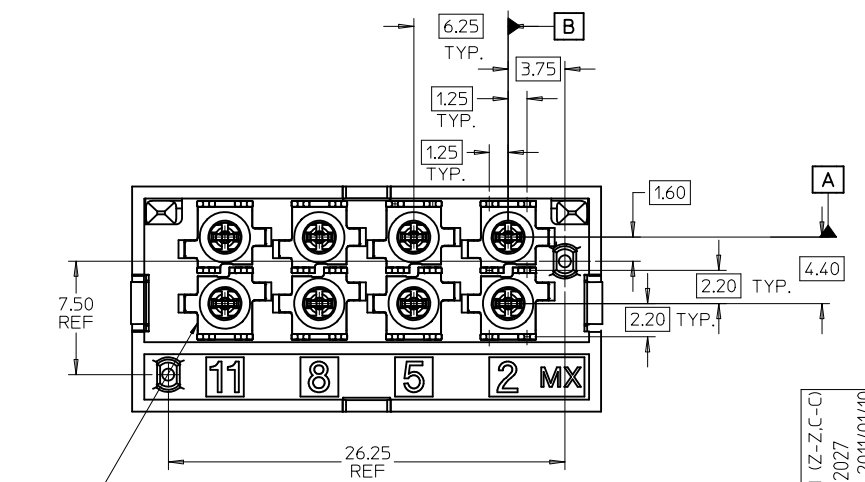
CONTACT LOADING OPTIONS FOR 8 POS CONNECTORS



MAT'L NO. 747120001/0003  
POSITION 2,5 & 11 LOADED

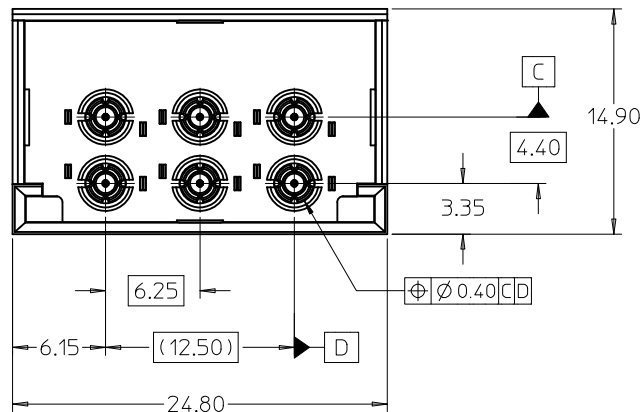


MAT'L NO. 747120002  
POSITION 2 LOADED

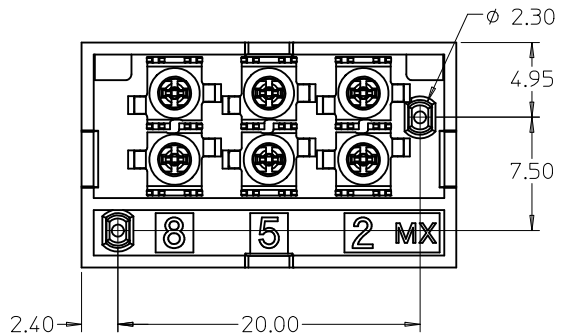
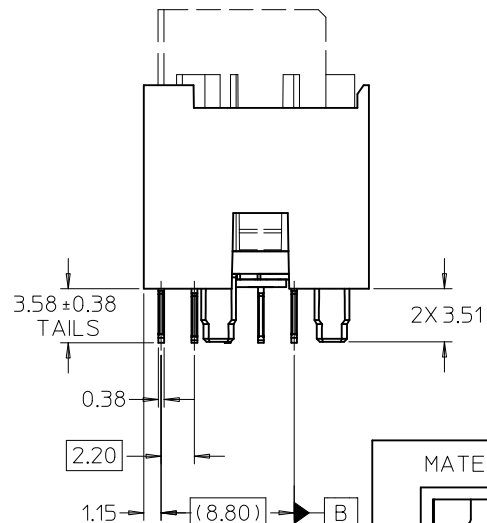
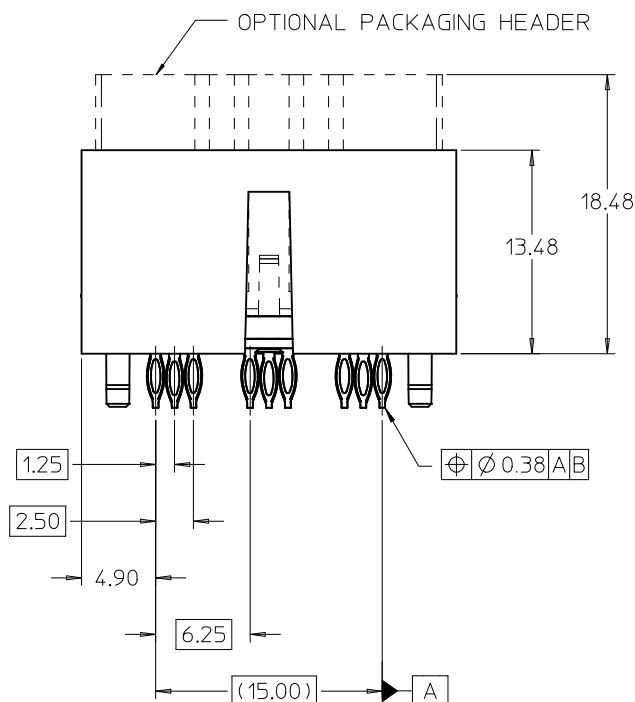
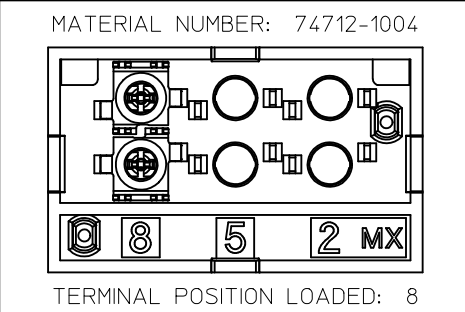
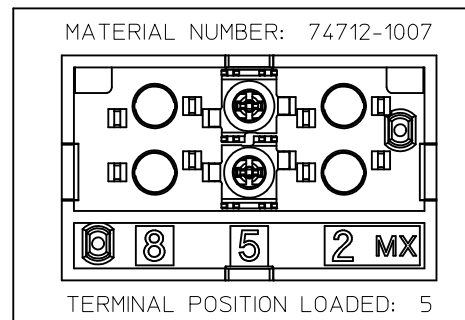
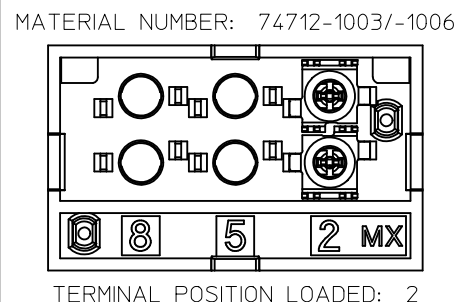
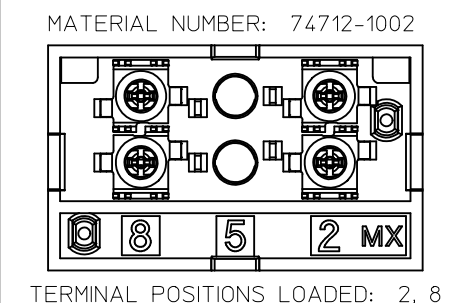
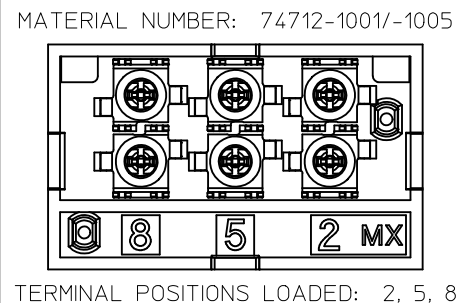


REV E2  
DIM CORRECTION (Z-Z,C-C)  
EC NO: UCP2011-2027  
DRWN: JMENDOZA 2011/01/10  
CHKD: JBINGHAM 2011/01/10  
APPR: JBINGHAM 2011/01/11

QUALITY SYMBOLS	GENERAL TOLERANCES (UNLESS SPECIFIED)		SCALE 4:1	DESIGN UNITS METRIC	THIRD ANGLE PROJECTION	REVISE ON CAD ONLY
		mm	INCH	DIMENSION STYLE MM ONLY	TITLE	
▽ - 0	4 PLACES	± ---	± ---	DRAWN BY DATE	SALES DRAWING FOR VERTICAL GANGED RF CONNECTOR, LONG TAILS	
▽ C - 0	3 PLACES	± ---	± ---	SREED 2006/06/06	MOLEX INCORPORATED	
	2 PLACES	± 0.13	± ---	CHECKED BY DATE	MATERIAL NO. DOCUMENT NO. SHEET NO.	
	1 PLACE	± 0.25	± ---	JBINGHAM 2006/06/06	SEE CHART SD-74712-003 1 OF 5	
	ANGULAR ± 2 °		APPROVED BY DATE		THIS DRAWING CONTAINS INFORMATION THAT IS PROPRIETARY TO MOLEX INCORPORATED AND SHOULD NOT BE USED WITHOUT WRITTEN PERMISSION	
	DRAFT WHERE APPLICABLE MUST REMAIN WITHIN DIMENSIONS		JBINGHAM 2009/11/23			



6 POSITION CONNECTOR			
MATERIAL NUMBER	POSITION OF LOADED TERMINAL(S)	OPTIONAL PACKAGING HEADER	PACKAGING SPECIFICATION
74712-1001	2, 5, 8	YES	PK-74712-101
74712-1002	2, 8	YES	
74712-1003	2	YES	
74712-1004	8	YES	PK-74712-102
74712-1007	5	YES	
74712-1005	2, 5, 8	YES	
74712-1006	2	YES	



SEE SHEET 1	QUALITY SYMBOLS
EC NO: UCP2011-2027	▽=0
DRWN: MENDOZA 2011/01/10	▽=0
CHKD: JB INGHAM 2011/01/10	
APPR: JB INGHAM 2011/01/11	
REV	DESCRIPTION
E2	

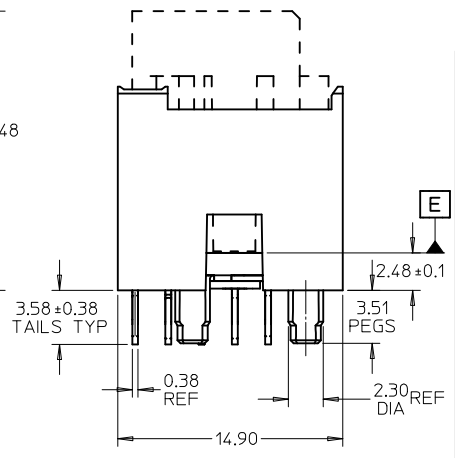
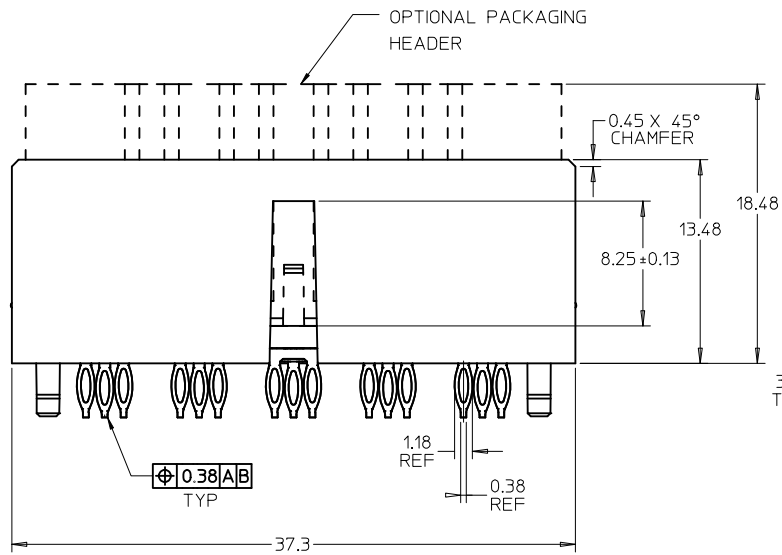
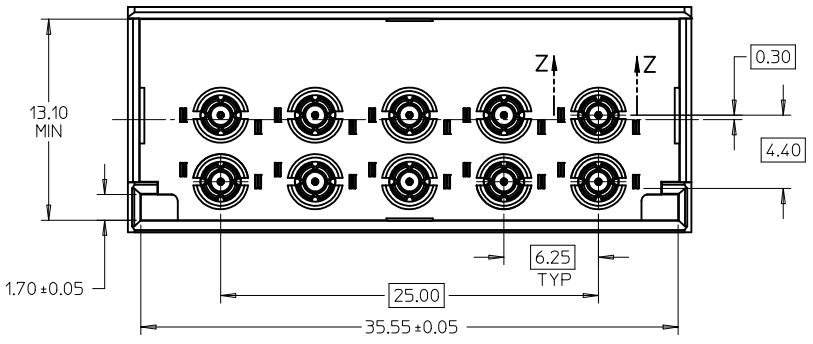
GENERAL TOLERANCES (UNLESS SPECIFIED)	
mm	INCH
4 PLACES ± ---	± ---
3 PLACES ± ---	± ---
2 PLACES ± 0.13	± ---
1 PLACE ± 0.25	± ---
ANGULAR ± 2 °	
DRAFT WHERE APPLICABLE MUST REMAIN WITHIN DIMENSIONS	

DIMENSION STYLE	
MM ONLY	
DRAWN BY	DATE
SREED	2006/06/06
CHECKED BY	DATE
JB INGHAM	2006/06/06
APPROVED BY	DATE
JB INGHAM	2009/11/23
MATERIAL NO.	
SEE CHART	
SIZE	
C	

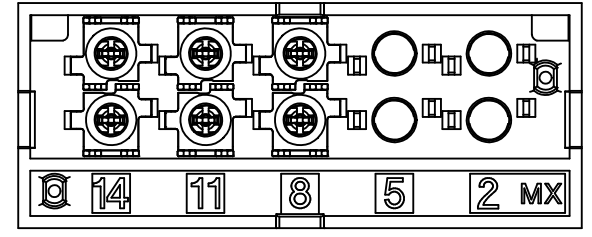
SCALE 4:1	DESIGN UNITS METRIC	THIRD ANGLE PROJECTION
SALES DRAWING FOR VERTICAL GANGED RF CONNECTOR, LONG TAILS		
MOLEX INCORPORATED		
DOCUMENT NO.	SD-74712-003	SHEET NO. 2 OF 5
THIS DRAWING CONTAINS INFORMATION THAT IS PROPRIETARY TO MOLEX INCORPORATED AND SHOULD NOT BE USED WITHOUT WRITTEN PERMISSION		

MATERIAL NO.	TERMINAL LOADING BY POSITION	PACKAGING
74712-3001	2, 5, 8, 11, 14	PK-74712-210
74712-3002	8, 11, 14	PK-74712-210

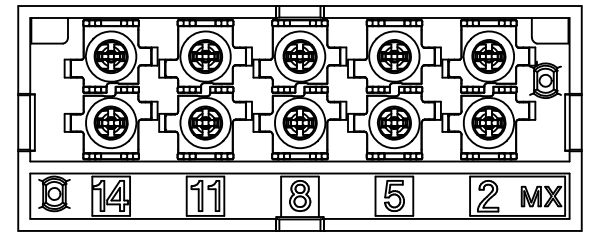
NOTE: REFER TO SHEET 1 FOR ALL DIMENSIONS. SECTION VIEW AND NOTES NOT SHOWN.



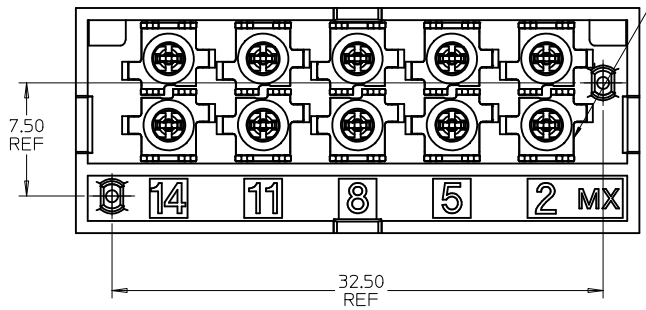
CONTACT LOADING OPTIONS FOR 10 POSITION CONNECTORS



MAT'L NO. 747123002  
POSITIONS 8,11,14 LOADED



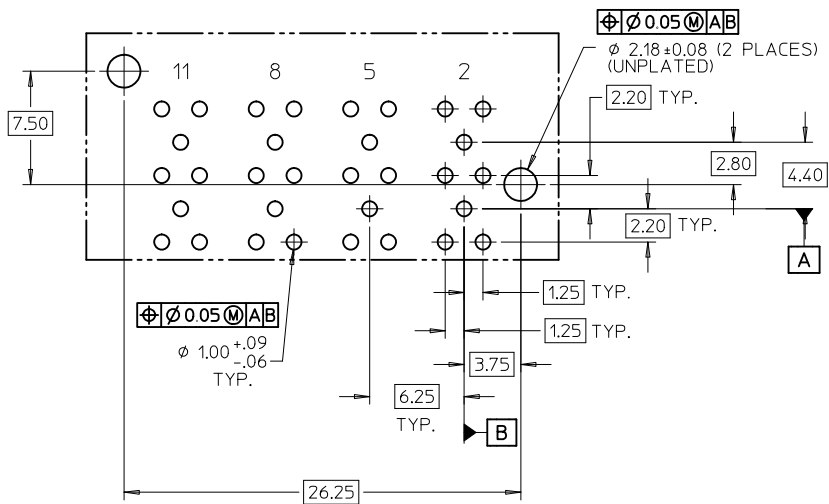
MAT'L NO. 747123001  
POSITIONS 2,5,8,11,14 LOADED



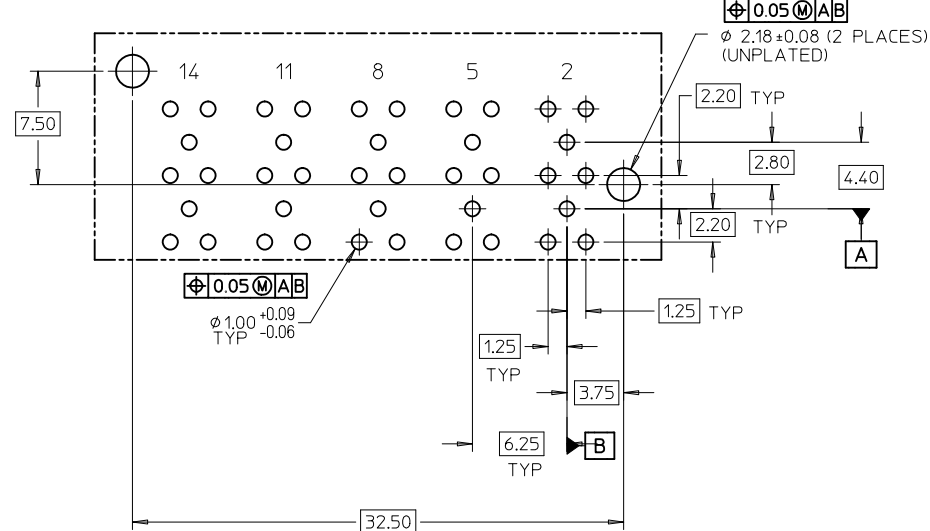
MARKING ON BOTTOM OF SUB-ASSEMBLY INDICATES INSPECTION ACCEPTANCE

10 POSITION CONNECTOR SHOWN

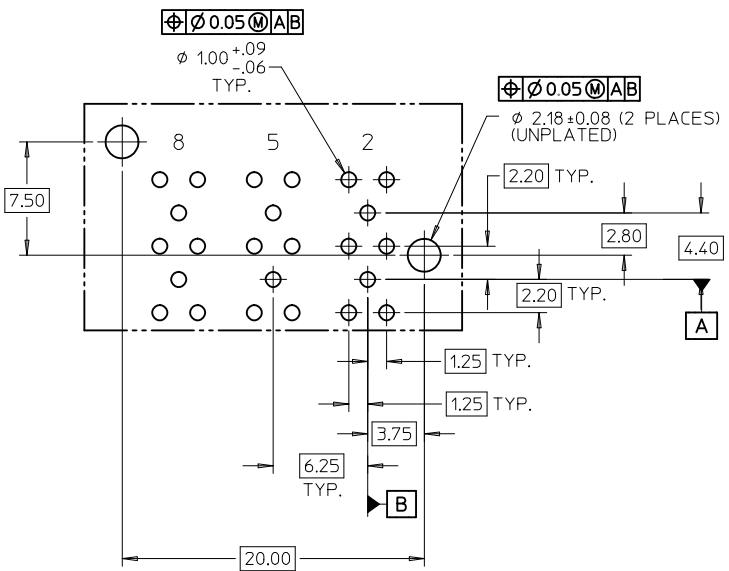
SEE SHEET 1 EC NO: UCP2011-2027 DRWN: JMENDOZA 2011/01/10 CHKD: JBINGHAM 2011/01/10 APPR: JBINGHAM 2011/01/11	DESCRIPTION REV	QUALITY SYMBOLS	GENERAL TOLERANCES (UNLESS SPECIFIED)	SCALE 4:1	DESIGN UNITS METRIC	THIRD ANGLE PROJECTION	REVISE ON CAD ONLY
		▽ 0 ∇ 0	4 PLACES ± --- ± --- 3 PLACES ± --- ± --- 2 PLACES ± 0.13 ± --- 1 PLACE ± 0.25 ± --- ANGULAR ± 2 °	DIMENSION STYLE MM ONLY	TITLE SALES DRAWING FOR VERTICAL GANGED RF CONNECTOR, LONG TAILS		
		DRAFT WHERE APPLICABLE MUST REMAIN WITHIN DIMENSIONS	DRAWN BY DATE SREED 2006/06/06 CHECKED BY DATE JBINGHAM 2006/06/06 APPROVED BY DATE JBINGHAM 2009/11/23	MATERIAL NO. SEE CHART	DOCUMENT NO. SD-74712-003		
			SHEET NO. 3 OF 5	THIS DRAWING CONTAINS INFORMATION THAT IS PROPRIETARY TO MOLEX INCORPORATED AND SHOULD NOT BE USED WITHOUT WRITTEN PERMISSION			



RECOMMENDED PCB LAYOUT  
FOR THE 8 POSITION CONNECTOR  
COMPONENT SIDE  
MAX. BOARD THICKNESS: 4.50



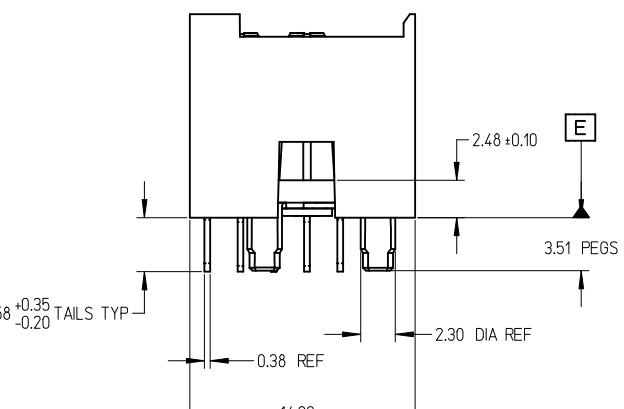
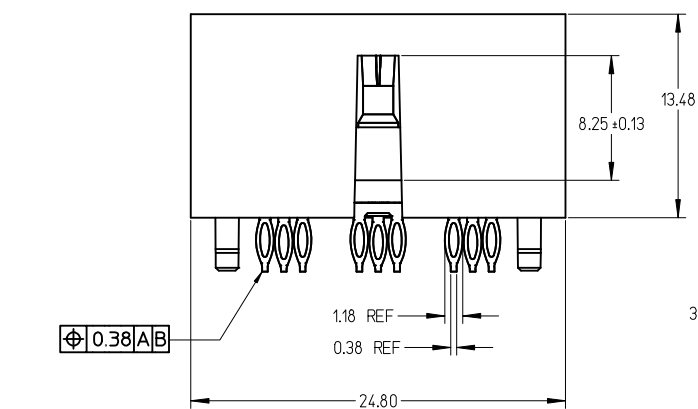
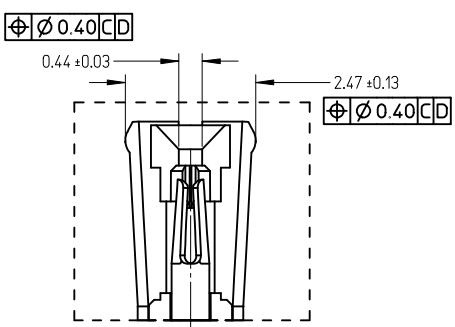
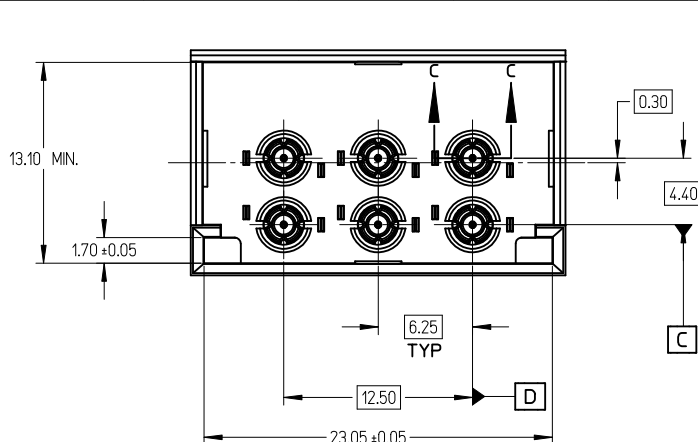
RECOMMENDED PCB LAYOUT  
FOR THE 10 POSITION CONNECTOR  
COMPONENT SIDE  
MAX. BOARD THICKNESS: 4.50



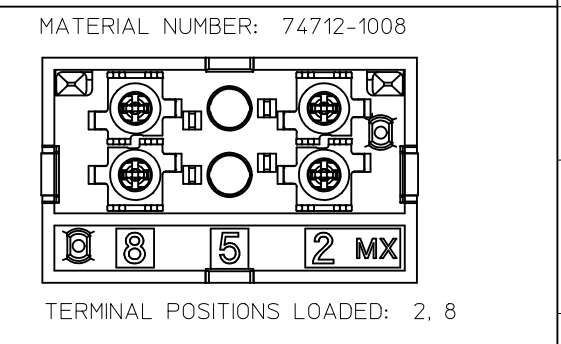
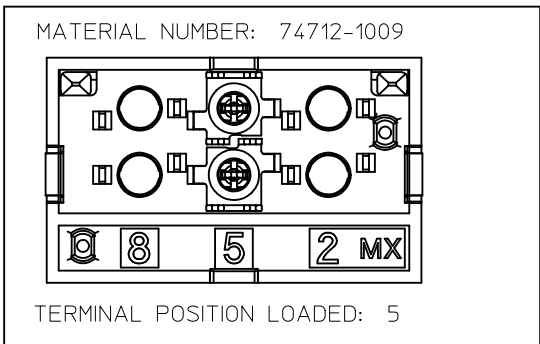
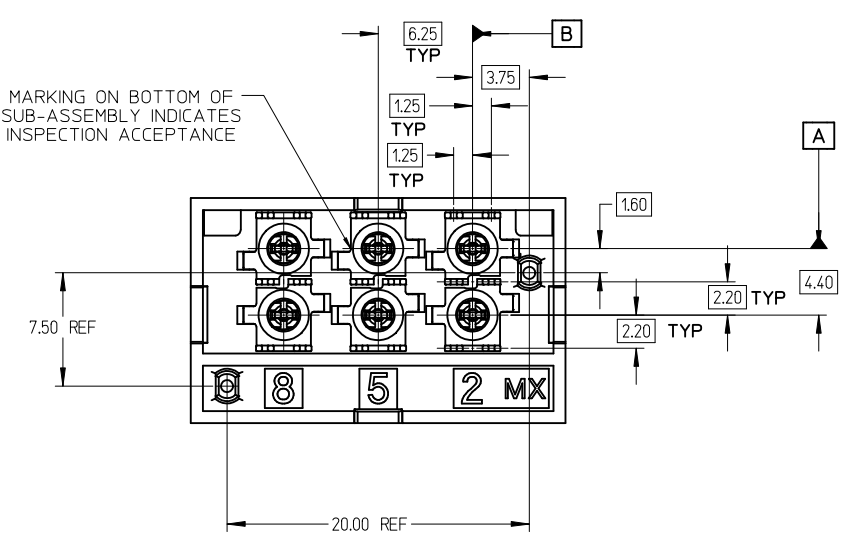
RECOMMENDED PCB LAYOUT  
FOR THE 6 POSITION CONNECTOR  
COMPONENT SIDE  
MAX. BOARD THICKNESS: 4.50

NOTE: DEPENDING ON CONNECTOR PART NUMBER, ALL HOLES MAY NOT BE REQUIRED. REFER TO SHEETS 1-3 FOR LOADED TERMINAL POSITIONS. REFER TO TERMINAL POSITIONS SPECIFIED ON EACH PCB LAYOUT TO DETERMINE WHICH HOLES ARE NEEDED.

SEE SHEET 1 EC NO: UCP2011-2027 DRWN: JMENDOZA 2011/01/10 CHKD: JBINGHAM 2011/01/10 APPR: JBINGHAM 2011/01/11	QUALITY SYMBOLS	GENERAL TOLERANCES (UNLESS SPECIFIED)		SCALE 4:1	DESIGN UNITS METRIC	THIRD ANGLE PROJECTION	REVISE ON CAD ONLY
	▽ 0 ∇ 0		mm	INCH	DIMENSION STYLE		TITLE SALES DRAWING FOR VERTICAL GANGED RF CONNECTOR, LONG TAILS MOLEX INCORPORATED SEE CHARTS SD-74712-003
		4 PLACES	± ---	± ---	MM ONLY		
		3 PLACES	± ---	± ---	DRAWN BY SREED	DATE 2006/06/06	
	2 PLACES	± 0.13	± ---	CHECKED BY JBINGHAM	DATE 2006/06/06	MATERIAL NO.	DOCUMENT NO.
	1 PLACE	± 0.25	± ---	APPROVED BY JBINGHAM		DATE 2009/11/23	SHEET NO. 4 OF 5
	ANGULAR ± 2 °		DRAFT WHERE APPLICABLE		THIS DRAWING CONTAINS INFORMATION THAT IS PROPRIETARY TO MOLEX INCORPORATED AND SHOULD NOT BE USED WITHOUT WRITTEN PERMISSION		
	MUST REMAIN WITHIN DIMENSIONS						



6 POS. CONNECTOR SHOWN



6 POSITION CONNECTOR			
MATERIAL NUMBER	POSITION OF LOADED TERMINAL(S)	OPTIONAL PACKAGING HEADER	PACKAGING SPECIFICATION
74712-1008	2, 8	NO	PK-74712-101
74712-1009	5	NO	

- NOTES:
- MATERIAL:
    - HOUSING: GLASS FILLED THERMO PLASTIC, 94V-0
    - INSULATOR: GLASS FILLED THERMO PLASTIC, 94V-0
    - TERMINALS AND GROUND: TIN BRASS
    - OUTER GROUND CONTACT: PHOSPHOR BRONZE
  - PLATING:
    - TERMINALS:
      - SELECTIVE 0.76 MICRONS MIN. GOLD IN CONTACT AREA
      - SELECTIVE 0.88 MICRONS MIN. TIN BOTH OVER
      - 1.27 MICRONS MIN. NICKEL UNDERPLATE
    - GROUNDS:
      - 0.88 MICRONS MIN. TIN OVERALL OVER
      - 1.27 MICRONS MIN. NICKEL UNDERPLATE
    - OUTER GROUND CONTACT:
      - 0.76 MICRONS MIN. GOLD OVERALL OVER
      - 1.27 MICRONS MIN. NICKEL UNDERPLATE
  - REFER TO PRODUCT SPEC.: PS-74854-001 FOR ELECTRICAL, MECHANICAL AND ENVIRONMENTAL REQUIREMENTS.
  - REFER TO PACKAGING SPEC STATED IN CHARTS FOR DETAILS OF THE PACKAGING REQUIREMENTS.
  - DATE CODE MARKING TO BE LOCATED ANYWHERE ON PLASTIC HOUSING. FIRST TWO DIGITS = WEEK NUMBER. LAST TWO DIGITS = YEAR.
  - THIS PART CONFORMS TO CLASS B REQUIREMENTS OF MOLEX COSMETIC SPECIFICATION PS-45499-002.

MARKING ON BOTTOM OF SUB-ASSEMBLY INDICATES INSPECTION ACCEPTANCE

SEE SHEET 1 EC NO: UCP2011-2027 DRWN: J.MENDOZA 2011/01/10 CHKD: J.BINGHAM 2011/01/10 APPR: J.BINGHAM 2011/01/11	QUALITY SYMBOLS	GENERAL TOLERANCES (UNLESS SPECIFIED)	DIMENSION STYLE	SCALE	DESIGN UNITS	THIRD ANGLE PROJECTION
	▽=0	4 PLACES ± --- ± ---	MM ONLY	4:1	METRIC	
	▽=0	3 PLACES ± --- ± ---				
		2 PLACES ± 0.13 ± ---				
		1 PLACE ± 0.25 ± ---				
		ANGULAR ± 2 °				
		DRAFT WHERE APPLICABLE MUST REMAIN WITHIN DIMENSIONS				
			DRAWN BY	DATE	TITLE	
			SREED	2006/06/06	SALES DRAWING FOR VERTICAL GANGED RF CONNECTOR, LONG TAILS	
			CHECKED BY	DATE	MOLEX MOLEX INCORPORATED	
			J.BINGHAM	2006/06/06		
			APPROVED BY	DATE		
			J.BINGHAM	2009/11/23		
			MATERIAL NO.	DOCUMENT NO.	SHEET NO.	
			SEE CHARTS	SD-74712-003	5 OF 5	
			THIS DRAWING CONTAINS INFORMATION THAT IS PROPRIETARY TO MOLEX INCORPORATED AND SHOULD NOT BE USED WITHOUT WRITTEN PERMISSION			