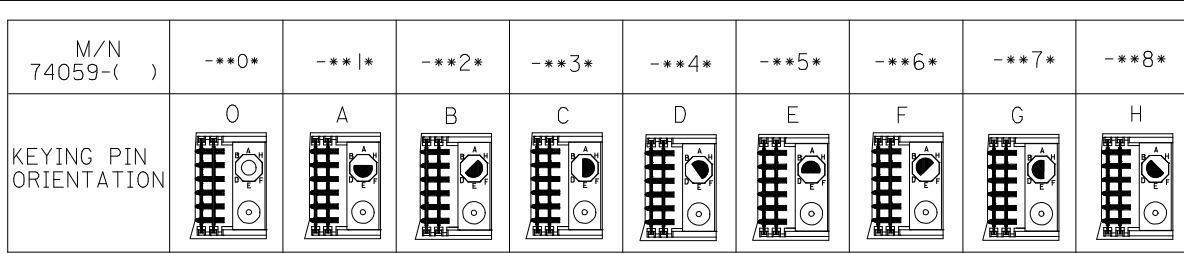


NOTES:

1. MATERIALS:
HOUSING - LIQUID CRYSTAL POLYMER (LCP),
GLASS-FILLED, UL 94V-0, COLOR: BLACK
SIGNAL PIN & SHIELD - COPPER ALLOY
2. FINISHES:
CONTACT AREA: SELECTIVE GOLD (Au)
PCB TAILS: SELECTIVE MATTE TIN (Sn)
NICKEL (Ni) OVERALL.
3. THIS PART CONFORMS TO MOLEX PRODUCT
SPECIFICATION PS-74031-999
4. FOR MIXED CONTACT LENGTHS CONSULT
MOLEX FOR AVAILABILITY
5. FOR SPECIFIC MATERIAL NUMBERS & MATING
INFORMATION REFER TO SHEET 2 AND 3
6. PACKAGE PER PK-74058-003
7. MARK PART WITH PART NUMBER & DATE
CODE APPROXIMATELY WHERE SHOWN
8. MAPS (MOLEX ADVANCED PLATING SYSTEM).

THE PRIMARY CARTON WITH A LABEL STATING
"ELV AND RoHS COMPLAINT" IS LEAD FREE.
CARTONS WITHOUT THIS LABEL MAY CONTAIN LEAD.

LEAD FREE CONVERSION EC NO: UCP2013-0687 2012/08/21 DRAWINGS CHKD:MMOLFE APPR:SMILLER 2012/11/24 2012/12/14	QUALITY SYMBOLS ▽=0 ▽=0 ▽=0	GENERAL TOLERANCES (UNLESS SPECIFIED)		DIMENSION STYLE MM ONLY	SCALE 2.5:1	DESIGN UNITS METRIC	THIRD ANGLE PROJECTION		
		4 PLACES ± --- ± --- 3 PLACES ± --- ± --- 2 PLACES ± 0.10 ± --- 1 PLACE ± 0.25 ± --- 0 PLACE ± ±	mm INCH	DRAWN BY JMELTON DATE 2010/05/20	CHECKED BY SDANNELLEY DATE 2010/05/20	TITLE VHDM 6 ROW SHIELD END BACKPLANE SALES DRAWING 			
		ANGULAR ±1/2°		APPROVED BY SMILLER DATE 2010/07/14	MATERIAL NO. SEE SHT 2				
		DRAFT WHERE APPLICABLE MUST REMAIN WITHIN DIMENSIONS		SIZE C	THIS DRAWING CONTAINS INFORMATION THAT IS PROPRIETARY TO MOLEX INCORPORATED AND SHOULD NOT BE USED WITHOUT WRITTEN PERMISSION				



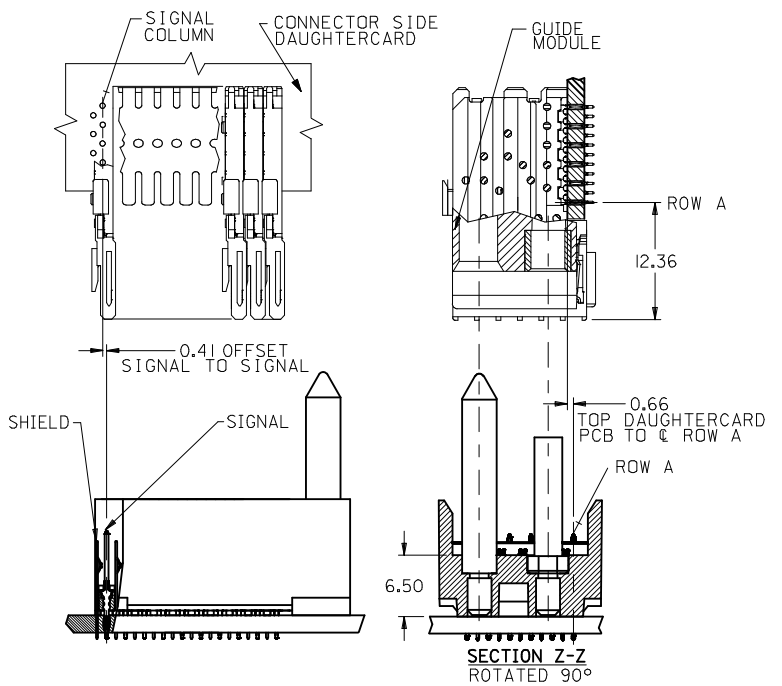
74059 - * * * *

NUMBER OF COLUMNS/PLATING

- 10 = 10 COLUMN MATTE TIN (FORMERLY TIN/LEAD)
- 21 = 11 COLUMN MATTE TIN (FORMERLY TIN/LEAD)
- 25 = 25 COLUMN MATTE TIN (FORMERLY TIN/LEAD)
- 60 = 10 COLUMN MATTE TIN (MAPS)
- 71 = 11 COLUMN MATTE TIN (MAPS)
- 75 = 25 COLUMN MATTE TIN (MAPS)
- 90 = 10 COLUMN MATTE TIN
- 81 = 11 COLUMN MATTE TIN
- 85 = 25 COLUMN MATTE TIN

CONTACT LOAD (PIN HEIGHT)

- 1 & 6 = 4.75
- 2 & 7 = 6.25
- 3 & 8 = 4.25
- 4 & 9 = 5.15



PART NUMBER	COLUMN	NUMBER OF SIGNAL PIN	NUMBER OF SHIELD	A	B	M	GOLD THICKNESS MICROMETER	TIN THICKNESS MICROMETER	
74059-60*1							0.25 MAPS		
74059-*0*1	10	60	10	27.00	18.00	4.75	0.76	0.76-152	
74059-*0*6							1.27		
74059-*5*1	25	150	25	57.00	48.00		0.25 MAPS		
74059-*5*6							0.76		
74059-60*2	10	60	10	27.00	18.00	6.25	1.27		
74059-*0*2									0.25 MAPS
74059-*0*7	25	150	25	57.00	48.00		0.76		
74059-*5*2							1.27		
74059-*5*7	10	60	10	27.00	18.00	4.25	0.25 MAPS		
74059-*0*3								0.76	
74059-*0*8	25	150	25	57.00	48.00		1.27		
74059-*5*3							0.25 MAPS		
74059-*5*8	10	60	10	27.00	18.00	5.15	0.76		
74059-*0*4								1.27	
74059-*0*9	25	150	25	57.00	48.00		0.25 MAPS		
74059-*5*4							0.76		
74059-*5*9							1.27		

PART NUMBER	COLUMN	NUMBER OF SIGNAL PIN	NUMBER OF SHIELD	A	B	M	GOLD THICKNESS MICROMETER	TIN THICKNESS MICROMETER	
74059-71*1							0.25 MAPS		
74059-*1*1	11	66	11	29.00	20.00	4.75	0.76	0.76-152	
74059-*1*6									1.27
74059-71*2	11	66	11	29.00	20.00		0.25 MAPS		
74059-*1*2							0.76		
74059-*1*7	11	66	11	29.00	20.00	6.25	1.27		
74059-71*3	11	66	11	29.00	20.00		0.25 MAPS		
74059-*1*3									0.76
74059-*1*8	11	66	11	29.00	20.00	4.25	1.27		
74059-*1*4									0.25 MAPS
74059-*1*9	11	66	11	29.00	20.00		0.76		
							1.27		

SEE SHEET 1 EC NO: UCP2013-0687 DRWNGES 2012/08/21 CHKD:MMWLF 2012/11/21 APPR:SMILLER 2012/12/14 REVISIONS	QUALITY SYMBOLS	GENERAL TOLERANCES (UNLESS SPECIFIED)	DIMENSION STYLE MM ONLY	SCALE 2.5:1	DESIGN UNITS METRIC	THIRD ANGLE PROJECTION
	▽=0	mm INCH	DRAWN BY JMELTON	DATE 2010/05/20	TITLE VHDM 6 ROW SHIELD END BACKPLANE SALES DRAWING	
	▽=0	4 PLACES ± --- ± ---	CHECKED BY SDANNELLEY	DATE 2010/05/20	DOCUMENT NO. SD-74059-002	
	▽=0	2 PLACES ± 0.10 ± ---	APPROVED BY SMILLER	DATE 2010/07/14	SHEET NO. 2 OF 2	
▽=0	1 PLACE ± 0.25 ± ---	DRAFT WHERE APPLICABLE MUST REMAIN WITHIN DIMENSIONS		THIS DRAWING CONTAINS INFORMATION THAT IS PROPRIETARY TO MOLEX INCORPORATED AND SHOULD NOT BE USED WITHOUT WRITTEN PERMISSION		