

NOTES:

1. MATERIAL:

- CAGE: NICKEL SILVER, 0.25 THICK
- EMI STRAPS: PHOS-BRONZE, 0.10 THICK
- LIGHT PIPES: POLYCARBONATE, 94V-0 (OPTIONAL)
- CONNECTOR HOUSING: HIGH PERFORMANCE THERMOPLASTIC, 94V-0
- TERMINALS: HIGH PERFORMANCE COPPER ALLOY, 0.18 THICK

2. FINISH:

- SPRING FINGERS: 100µm NICKEL OVERALL
- TERMINALS: CONTACT AREA: 0.76µm MIN GOLD OVER
2.5µm MIN NICKEL.
- COMPLIANT AREA: 0.76-1.52µm MATTE TIN
OVER 1.27µm MIN NICKEL.

3. ALL SURFACES TO BE CLASS 'C' OR BETTER PER MOLEX COSMETIC SPECIFICATION PS-45499-002.

4. REFER TO PK-76871-9001 FOR ALL PACKAGING SPECIFICATIONS.

5. CONNECTOR INTENDED TO MATE WITH PLUG CABLE SERIES 74757 AND 74758.

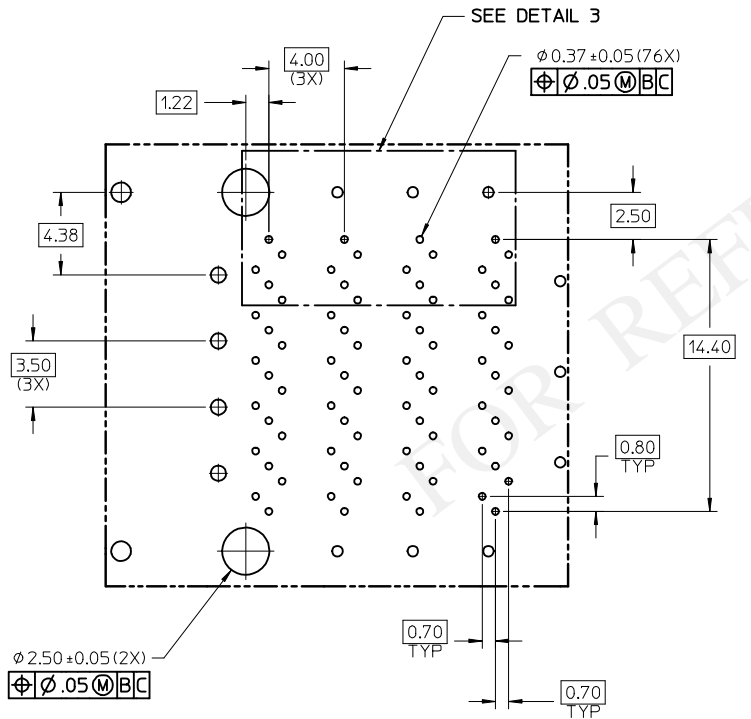
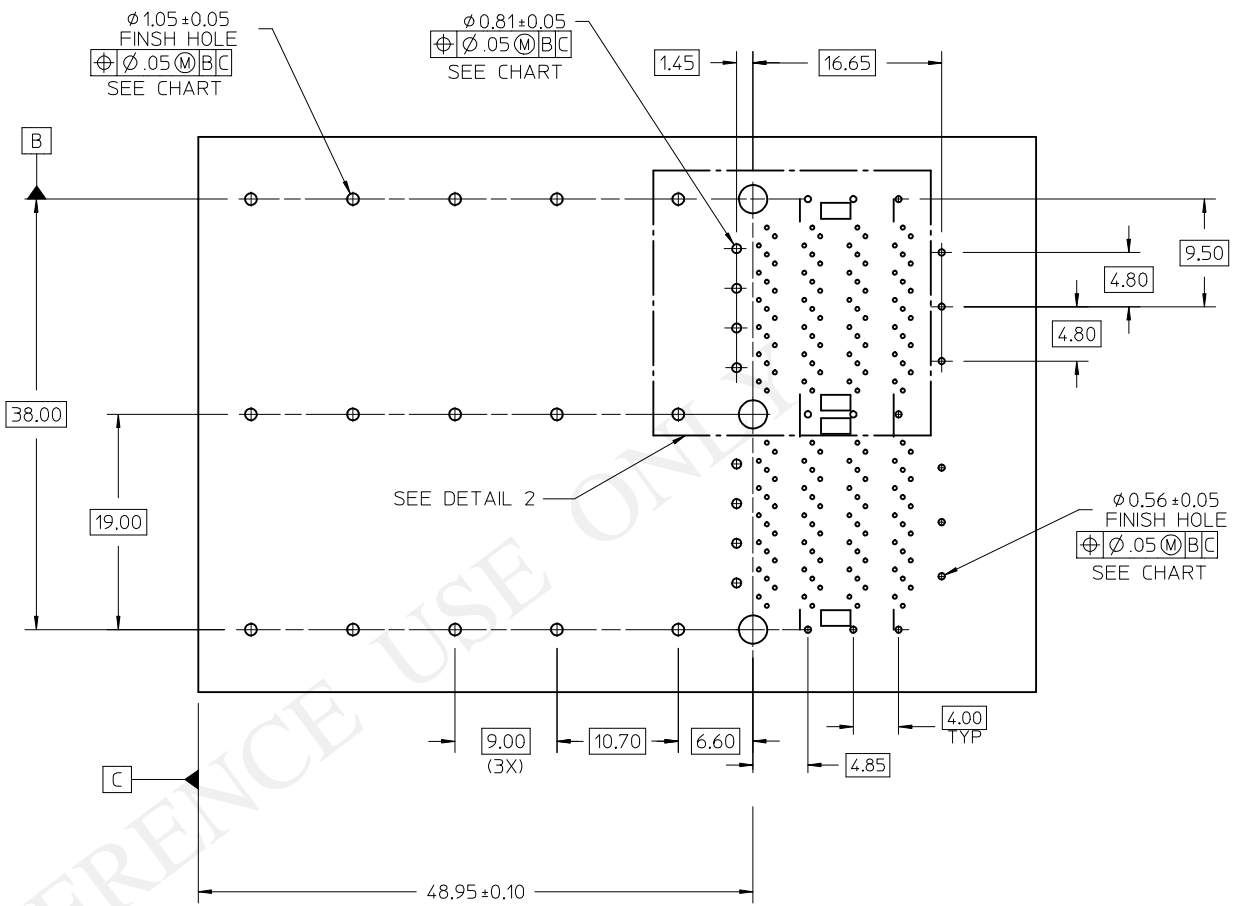
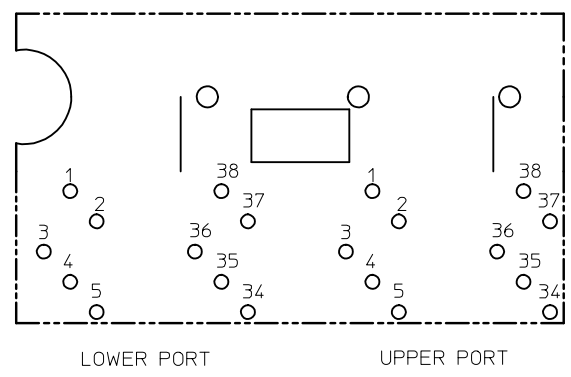
6. DATE CODE LOCATION SHOWN, DATE CODE FORMAT: DDD Y

DDD = DAY OF THE YEAR, Y = YEAR.

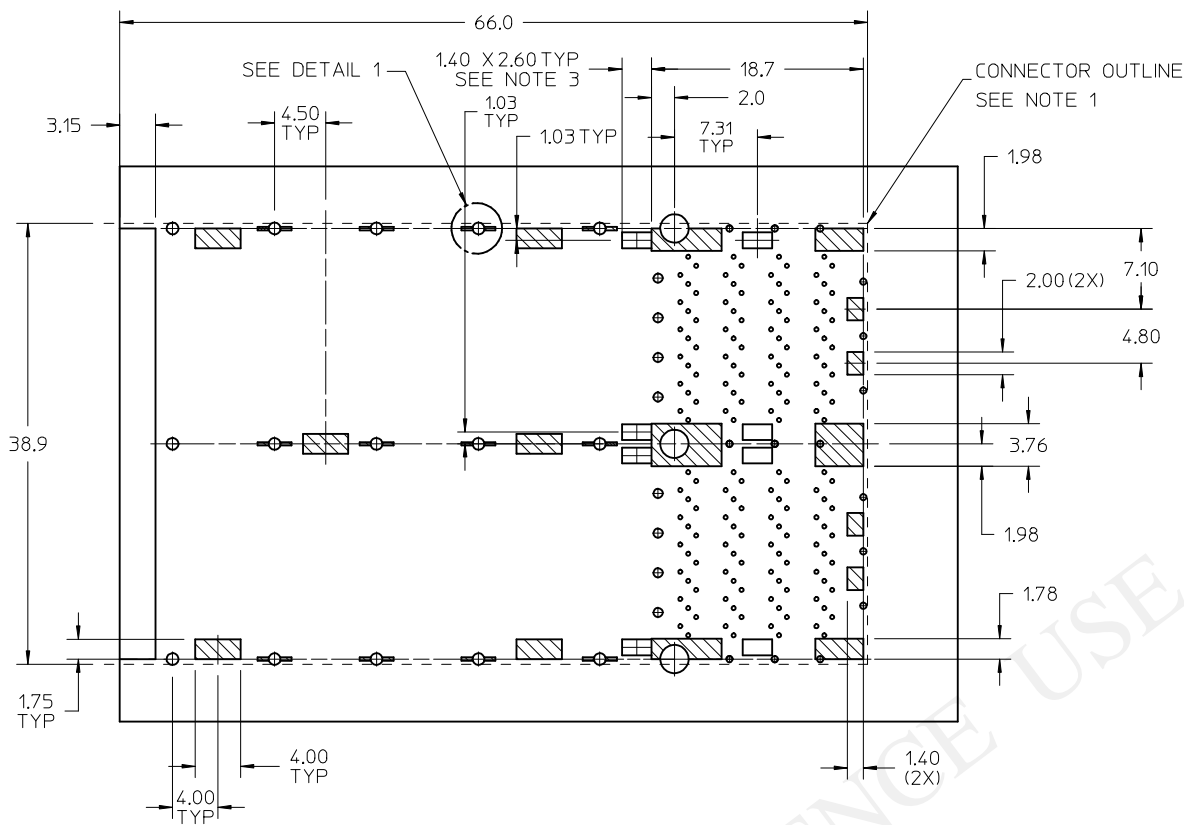
PORT SIZE	PART NUMBER	DIM A	DIM B	DIM C
2X1	171565-1005	19.3	21.4	19.0
2X2	171565-0005	38.3	40.4	38.0
2X3	171565-3005	57.3	59.4	57.0

INITIAL RELEASE EC NO: UCP2015-2161 DRW: HAVERY 2014/11/21 CHKD: APPR: HAVERY 2014/11/21 REV:	QUALITY SYMBOLS	GENERAL TOLERANCES (UNLESS SPECIFIED)	DIMENSION STYLE MM ONLY	SCALE 2:1	DESIGN UNITS METRIC	THIRD ANGLE PROJECTION
	▽=0	4 PLACES ± --- ± ---	DRAWN BY DATE HAVERY 2014/11/04	ZQSFP 2X2 4 INTERNAL LIGHT PIPES WITH EMI SPRING FINGERS molex		
	▽=0	3 PLACES ± --- ± ---	CHECKED BY DATE			
	▽=0	2 PLACES ±0.13 ± ---	APPROVED BY DATE HAVERY 2014/11/05	MATERIAL NO.	DOCUMENT NO.	SHEET NO.
	1 PLACE ±0.25 ± ---	DRAFT WHERE APPLICABLE MUST REMAIN WITHIN DIMENSIONS	SEE CHART	SD-171565-0005	1 OF 3	
	0 PLACE ± --- ± ---		THIS DRAWING CONTAINS INFORMATION THAT IS PROPRIETARY TO MOLEX INCORPORATED AND SHOULD NOT BE USED WITHOUT WRITTEN PERMISSION			

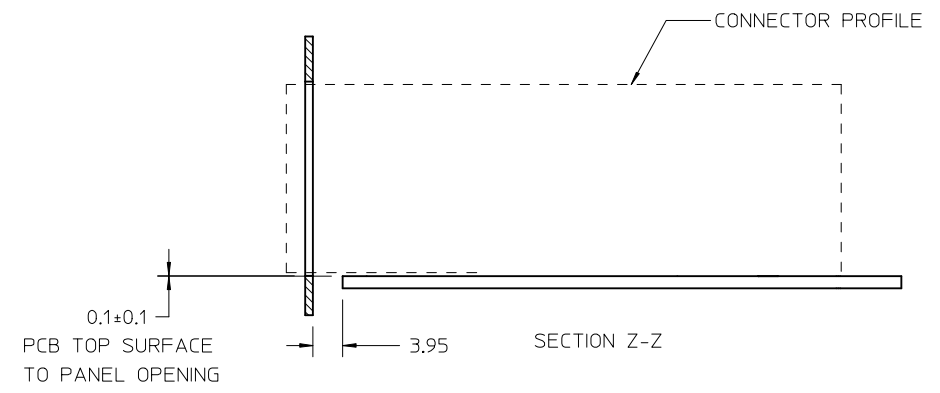
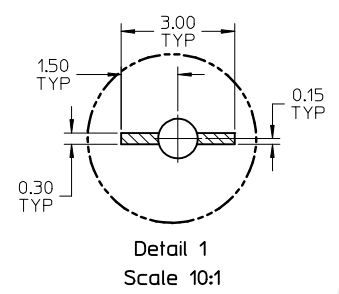
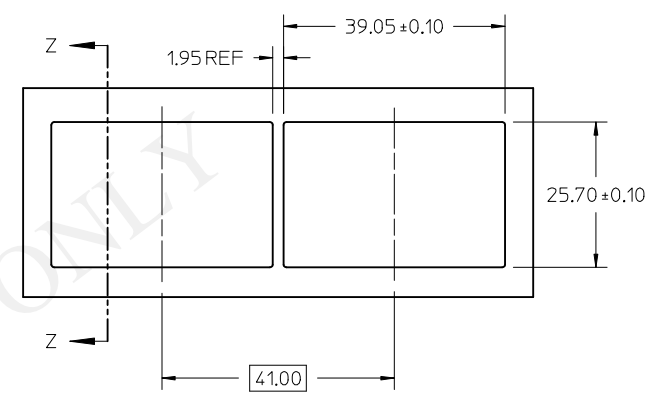
FOR REVIEW USE



SEE SHEET 1 EC NO: UCP2015-2161 DRAWN: HAVERY 2014/11/21 CHKD: HAVERY APPR: HAVERY 2014/11/21	QUALITY SYMBOLS ▽=0 ▽=0 ▽=0	GENERAL TOLERANCES (UNLESS SPECIFIED)		DIMENSION STYLE MM ONLY	SCALE 2:1	DESIGN UNITS METRIC	THIRD ANGLE PROJECTION
		4 PLACES ± --- ± --- 3 PLACES ± --- ± --- 2 PLACES ± 0.13 ± --- 1 PLACE ± 0.25 ± --- 0 PLACE ± --- ± ---	mm INCH ± --- ± --- ± --- ± --- ± --- ± --- ± --- ± ---	DRAWN BY HAVERY	DATE 2014/11/04	TITLE ZQSFP 2X2 4 INTERNAL LIGHT PIPES WITH EMI SPRING FINGERS	MATERIAL NO. SEE CHART
DRAFT WHERE APPLICABLE MUST REMAIN WITHIN DIMENSIONS		ANGULAR ±1/2°		THIS DRAWING CONTAINS INFORMATION THAT IS PROPRIETARY TO MOLEX INCORPORATED AND SHOULD NOT BE USED WITHOUT WRITTEN PERMISSION			

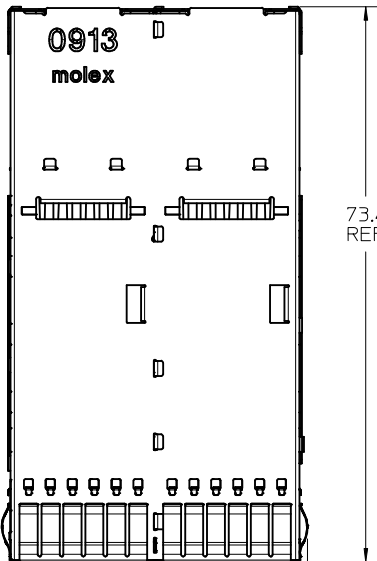
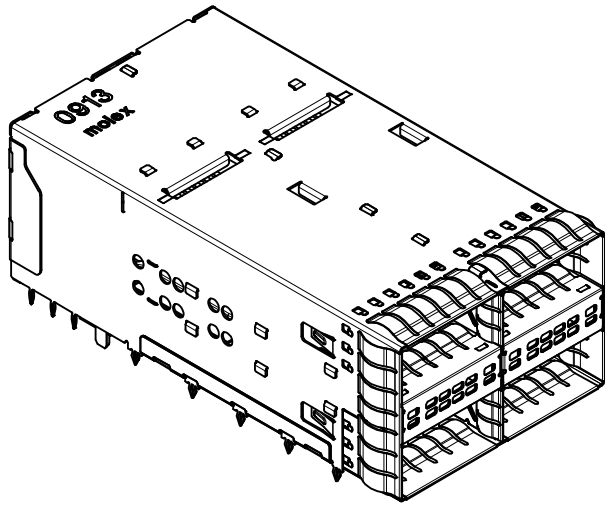


PANEL OPENING AND CONNECTOR SPACING RECOMMENDATIONS



- NOTES:
1. THE ENTIRE AREA UNDER THE CONNECTOR IS A COMPONENT KEEP-OUT ZONE.
 2. CROSS HATCHED AREAS INDICATE PLACES WHERE THE PLASTIC HOUSING AND METAL CAGE MAY BE IN CONTACT WITH THE PCB SURFACE. THESE AREAS ARE THE TRACE KEEP-OUT ZONES.
 3. THESE 2 RECTANGULAR ZONES ARE FOR LED PLACEMENT. LED HEIGHT SHOULD NOT EXCEED 0.8 AND PLACEMENT SHOULD BE CENTERED WITHIN THIS LED KEEP-IN ZONE.
 4. RECOMMENDED LED CHIP PACKAGE SIZE IS 0805.

SEE SHEET 1 EC NO: UCP2015-2161 DRWN:HAVERY 2014/11/21 CHKD: APPR:HAVERY 2014/11/21	QUALITY SYMBOLS	GENERAL TOLERANCES (UNLESS SPECIFIED)	DIMENSION STYLE	SCALE	DESIGN UNITS	THIRD ANGLE PROJECTION
	▽=0	mm INCH	MM ONLY	2:1	METRIC	☉
	▽=0	4 PLACES ± --- ± ---	DRAWN BY DATE	TITLE		
	▽=0	3 PLACES ± --- ± ---	HAVERY 2014/11/04	ZQSFP 2X2 4 INTERNAL LIGHT PIPES WITH EMI SPRING FINGERS		
	2 PLACES ± 0.13 ± ---	CHECKED BY DATE	molex			
	1 PLACE ± 0.25 ± ---	APPROVED BY DATE	SD-171565-0005			
	0 PLACE ± --- ± ---	HAVERY 2014/11/05	3 OF 3			
	ANGULAR ±1/2°	MATERIAL NO.	DOCUMENT NO.			
	DRAFT WHERE APPLICABLE MUST REMAIN WITHIN DIMENSIONS	SEE CHART	THIS DRAWING CONTAINS INFORMATION THAT IS PROPRIETARY TO MOLEX INCORPORATED AND SHOULD NOT BE USED WITHOUT WRITTEN PERMISSION			



NOTES:

1. MATERIAL:

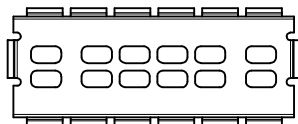
- CAGE: NICKEL SILVER, 0.25 THICK
- EMI STRAPS: PHOS-BRONZE, 0.10 THICK
- LIGHT PIPES: POLYCARBONATE, 94V-0 (OPTIONAL)
- CONNECTOR HOUSING: HIGH PERFORMANCE THERMOPLASTIC, 94V-0
- TERMINALS: HIGH PERFORMANCE COPPER ALLOY, 0.18 THICK

2. FINISH:

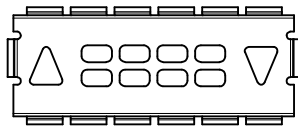
- SPRING FINGERS: 100µm NICKEL OVERALL
- TERMINALS: CONTACT AREA: 0.76µm MIN GOLD OVER 2.5µm MIN NICKEL.
- COMPLIANT AREA: 0.76-1.52µm MATTE TIN OVER 1.27µm MIN NICKEL.

- 3. ALL SURFACES TO BE CLASS 'C' OR BETTER PER MOLEX COSMETIC SPECIFICATION PS-45499-002.
- 4. REFER TO PK-76871-9001 FOR ALL PACKAGING SPECIFICATIONS.
- 5. CONNECTOR INTENDED TO MATE WITH PLUG CABLE SERIES 74757 AND 74758.
- 6. DATE CODE LOCATION SHOWN, DATE CODE FORMAT: DDD Y
DDD = DAY OF THE YEAR, Y = YEAR.

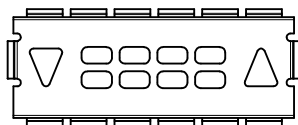
FRONT PLATE OPTIONS



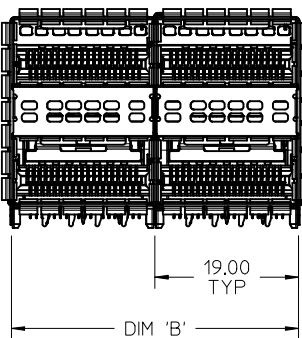
P/N 171722-*001
AIRFLOW ONLY
NO LIGHTPIPE



P/N 171722-*002
UP/DOWN LIGHTPIPE INDICATOR



P/N 171722-*003
DOWN/UP LIGHTPIPE INDICATOR



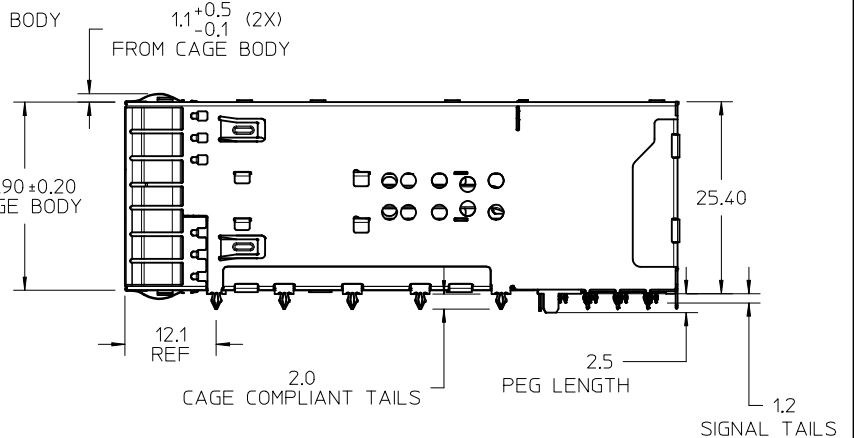
73.4 REF

1.1^{+0.5}_{-0.1} (2X)
FROM CAGE BODY

DIM 'A'+0.20
CAGE BODY

19.00 TYP

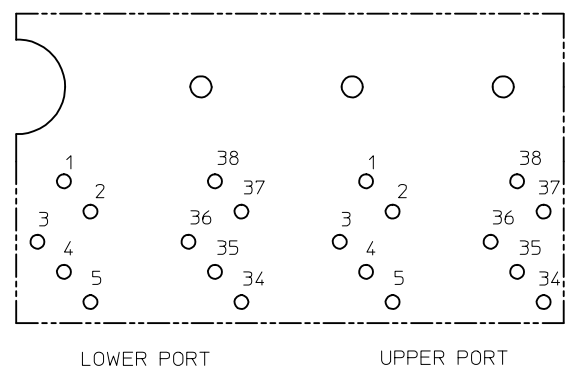
DIM 'B'



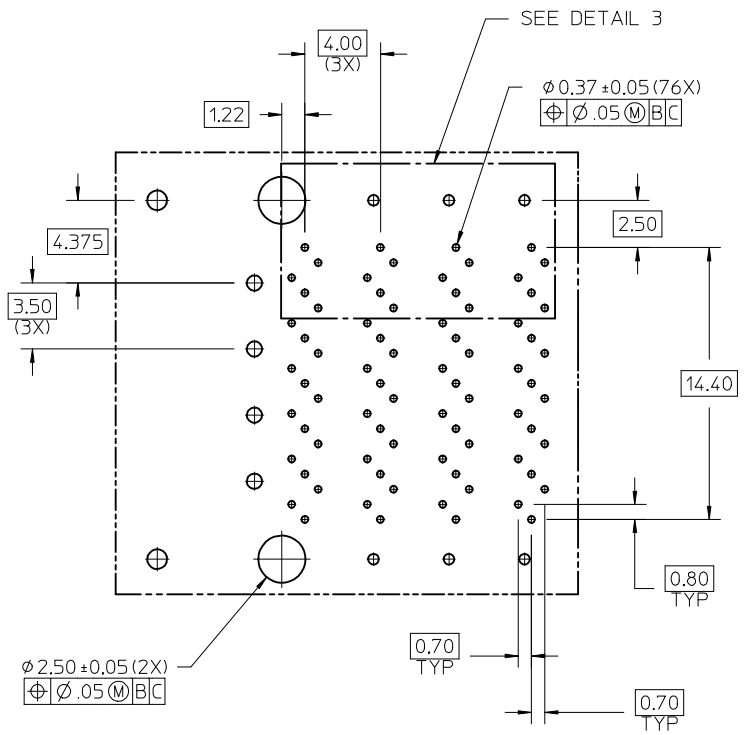
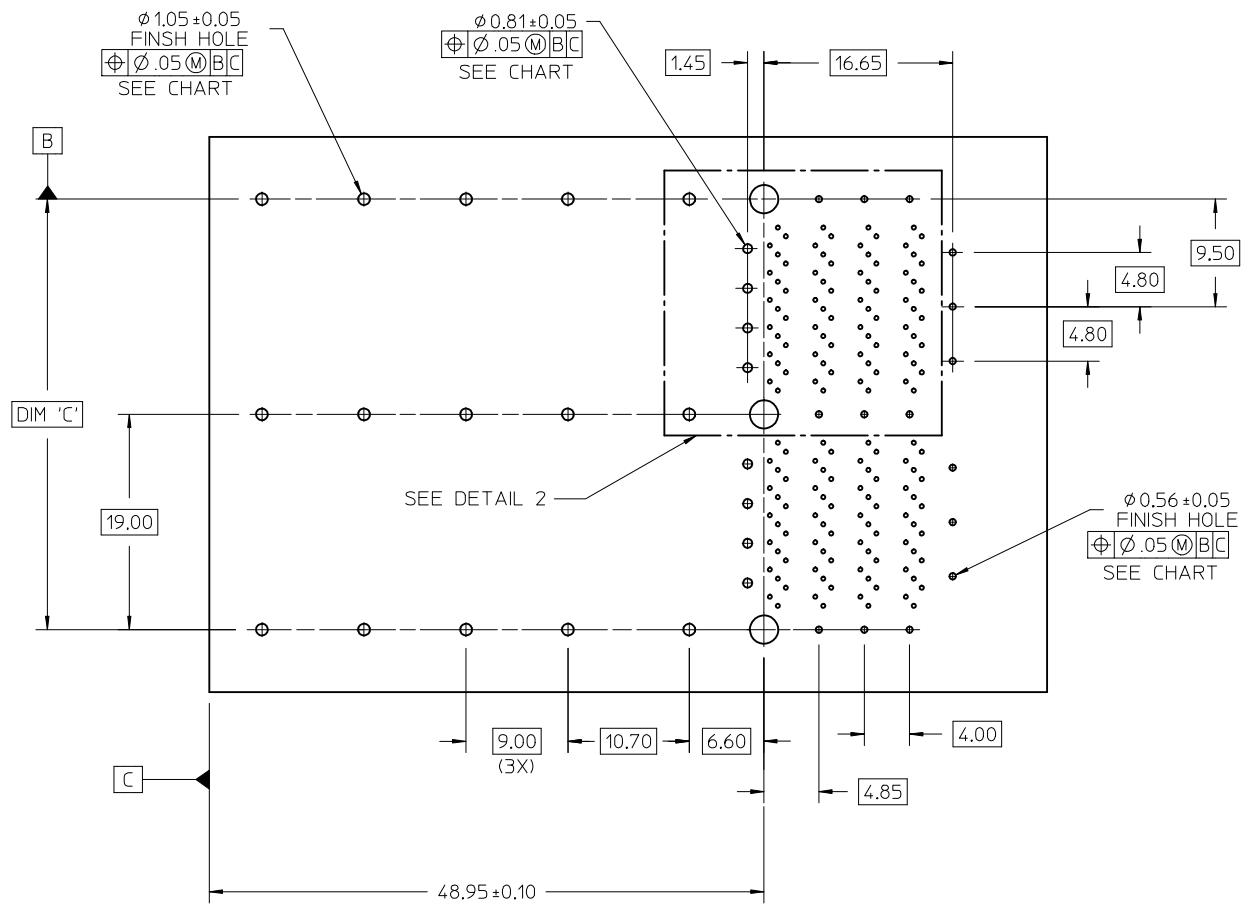
PORT SIZE	PART NUMBER	DIM 'A'	DIM 'B'
2X1	171722-100*	19.25	19.00
2X2	171722-200*	38.25	38.00
2X3	171722-300*	57.25	57.00

* - DESIGNATES FRONT PLATE OPTIONS

ADD SPRING HEIGHT EC NO: UCP2015-2796 DRWN: JACHLIC 2015/10/01 CHKD: APPR: MBANAKIS 2015/10/02 REV: A	QUALITY SYMBOLS 	GENERAL TOLERANCES (UNLESS SPECIFIED) <table border="1"> <thead> <tr> <th></th> <th>mm</th> <th>INCH</th> </tr> </thead> <tbody> <tr> <td>4 PLACES</td> <td>± ---</td> <td>± ---</td> </tr> <tr> <td>3 PLACES</td> <td>± ---</td> <td>± ---</td> </tr> <tr> <td>2 PLACES</td> <td>± 0.13</td> <td>± ---</td> </tr> <tr> <td>1 PLACE</td> <td>± 0.25</td> <td>± ---</td> </tr> <tr> <td>0 PLACE</td> <td>± ---</td> <td>± ---</td> </tr> </tbody> </table>		mm	INCH	4 PLACES	± ---	± ---	3 PLACES	± ---	± ---	2 PLACES	± 0.13	± ---	1 PLACE	± 0.25	± ---	0 PLACE	± ---	± ---	DIMENSION STYLE MM ONLY	SCALE 2:1	DESIGN UNITS METRIC	THIRD ANGLE PROJECTION
		mm	INCH																					
	4 PLACES	± ---	± ---																					
	3 PLACES	± ---	± ---																					
2 PLACES	± 0.13	± ---																						
1 PLACE	± 0.25	± ---																						
0 PLACE	± ---	± ---																						
DRAFT WHERE APPLICABLE MUST REMAIN WITHIN DIMENSIONS		DRAWN BY DATE ARIZV101 2012/08/09		TITLE ZQSFP+ STACKED CONNECTOR WITH EMI SPRING FINGER																				
APPROVED BY DATE MBANAKIS 2012/08/30		MATERIAL NO. SEE CHART		DOCUMENT NO. SD-171722-2000																				
SHEET NO. 1 OF 3		THIS DRAWING CONTAINS INFORMATION THAT IS PROPRIETARY TO MOLEX INCORPORATED AND SHOULD NOT BE USED WITHOUT WRITTEN PERMISSION																						



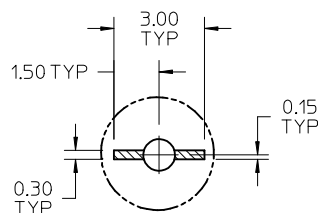
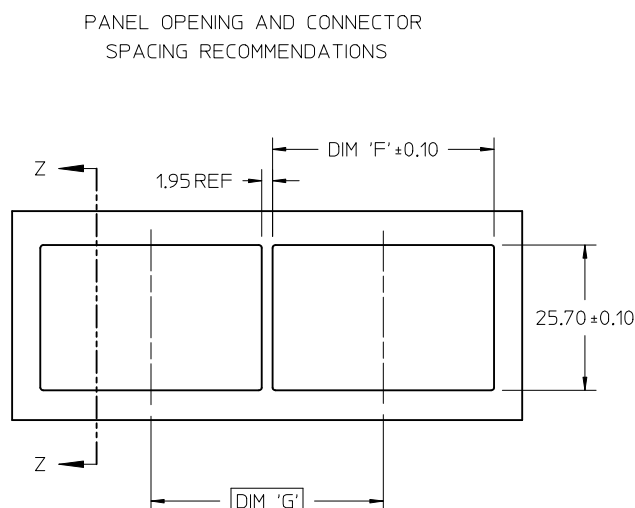
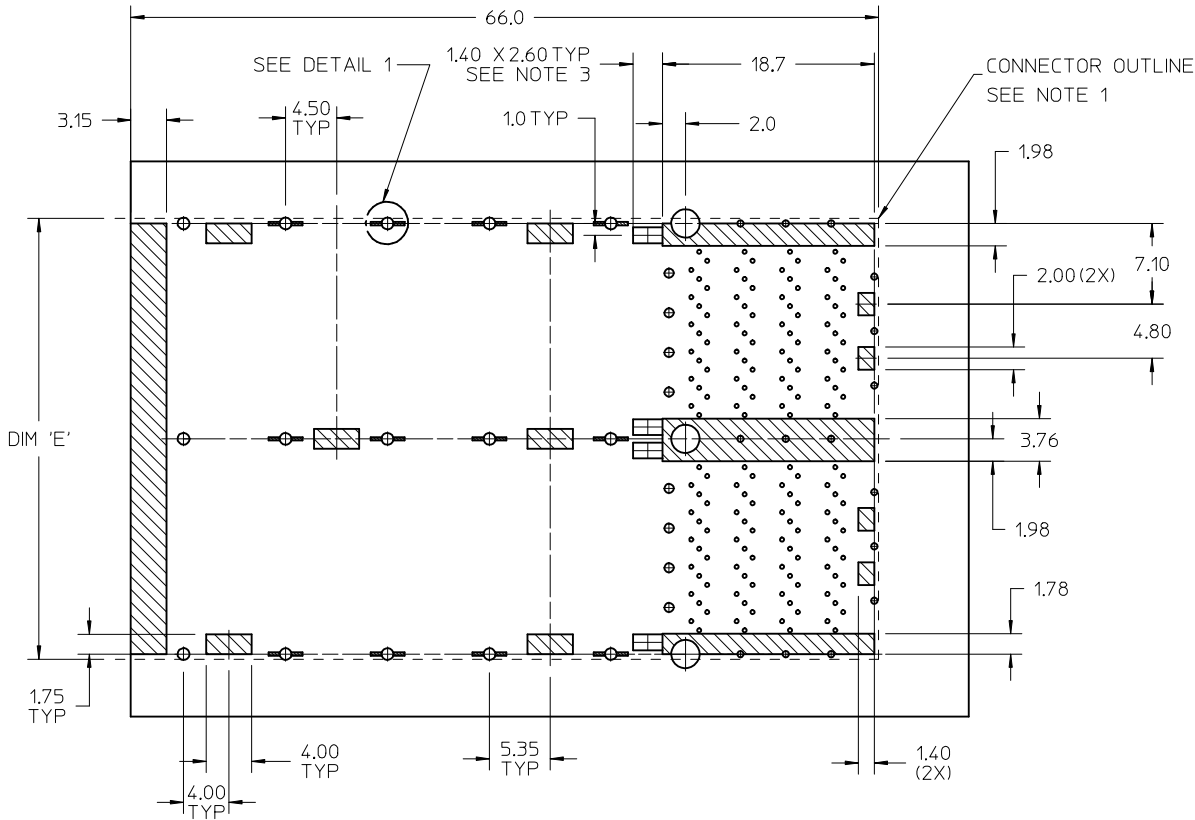
DETAIL 3
PIN ASSIGNMENTS



DETAIL 2
SCALE 5:1

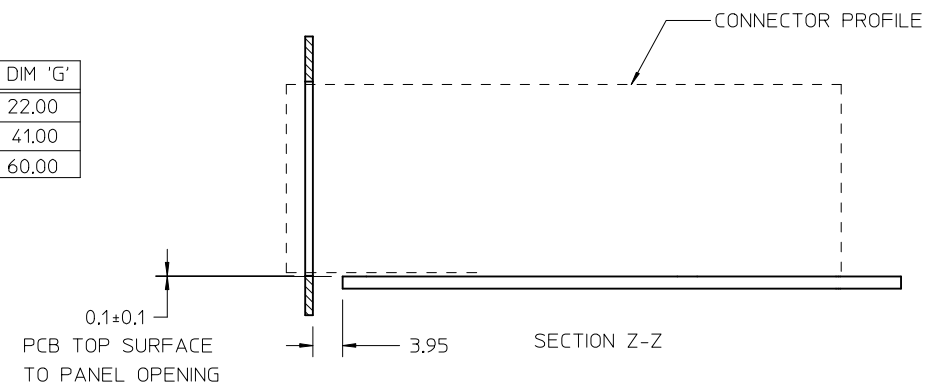
PORT SIZE	DIM 'C'	1.05Ø QUANTITY	0.56Ø QUANTITY	0.81Ø QUANTITY
2X1	19.00	10	9	4
2X2	38.00	15	15	8
2X3	57.00	20	21	12

SEE SHEET 1 EC NO: UCP2015-2796 DRWN: KACHLIC 2015/10/01 CHKD: MBANAKIS 2015/10/02 APPR: MBANAKIS	QUALITY SYMBOLS	GENERAL TOLERANCES (UNLESS SPECIFIED)	DIMENSION STYLE MM ONLY	SCALE 2:1	DESIGN UNITS METRIC	THIRD ANGLE PROJECTION
	▽=0	mm INCH	DRAWN BY DATE ARIZV101 2012/08/09	TITLE ZQSFP+ STACKED CONNECTOR WITH EMI SPRING FINGER		DOCUMENT NO. SD-171722-2000
	▽=0	4 PLACES ± --- ± ---	CHECKED BY DATE	APPROVED BY DATE MBANAKIS 2012/08/30		
	▽=0	2 PLACES ± 0.13 ± ---	ANGULAR ± 1/2°	MATERIAL NO.	THIS DRAWING CONTAINS INFORMATION THAT IS PROPRIETARY TO MOLEX INCORPORATED AND SHOULD NOT BE USED WITHOUT WRITTEN PERMISSION	
▽=0	1 PLACE ± 0.25 ± ---	DRAFT WHERE APPLICABLE MUST REMAIN WITHIN DIMENSIONS	SIZE C			



DETAIL 1
SCALE 8:1

PORT SIZE	DIM 'E'	DIM 'F'	DIM 'G'
2X1	19.9	20.05	22.00
2X2	38.9	39.05	41.00
2X3	57.9	58.05	60.00



- NOTES:
1. THE ENTIRE AREA UNDER THE CONNECTOR IS A COMPONENT KEEP-OUT ZONE.
 2. CROSS HATCHED AREAS INDICATE PLACES WHERE THE PLASTIC HOUSING AND METAL CAGE MAY BE IN CONTACT WITH THE PCB SURFACE. THESE AREAS ARE THE TRACE KEEP-OUT ZONES.
 3. THESE 2 RECTANGULAR ZONES ARE FOR LED PLACEMENT. LED HEIGHT SHOULD NOT EXCEED 0.8 AND PLACEMENT SHOULD BE CENTERED WITHIN THIS LED KEEP-IN ZONE.
 4. RECOMMENDED LED CHIP PACKAGE SIZE IS 0805.

SEE SHEET 1 EC NO: UCP2015-2796 DRAWN: KACHLIC 2015/10/01 CHKD: APPR: MBANAKIS 2015/10/02	QUALITY SYMBOLS	GENERAL TOLERANCES (UNLESS SPECIFIED)	DIMENSION STYLE MM ONLY	SCALE 2:1	DESIGN UNITS METRIC	THIRD ANGLE PROJECTION
	▽=0	mm INCH	DRAWN BY ARIZV101	DATE 2012/08/09	TITLE ZQSFP+ STACKED CONNECTOR WITH EMI SPRING FINGER	
	▽=0	4 PLACES ± --- ± ---	CHECKED BY	DATE		
	▽=0	3 PLACES ± --- ± ---	APPROVED BY MBANAKIS	DATE 2012/08/30		
		2 PLACES ±0.13 ± ---	MATERIAL NO.		DOCUMENT NO. SD-171722-2000	SHEET NO. 3 OF 3
		1 PLACE ±0.25 ± ---	SEE CHART THIS DRAWING CONTAINS INFORMATION THAT IS PROPRIETARY TO MOLEX INCORPORATED AND SHOULD NOT BE USED WITHOUT WRITTEN PERMISSION			
		0 PLACE ± --- ± ---	DRAFT WHERE APPLICABLE MUST REMAIN WITHIN DIMENSIONS			