

KSJ Detect Series Spherical Actuator Detect Switches



Features/Benefits

- Straight or vertical detect
- Top or side actuation
- Spherical actuator allows actuation +/- 30°
- High travel
- Adapted for cam actuation
- Sealing IP60

Typical Applications

- Automotive
- Industrial electronics
- Computer infrastructure and IT

Specification

FUNCTION: momentary action

CONTACT ARRANGEMENT: 1 make contact = SPST, N.O.

TERMINALS: PC pins

Compatible with permanent actuation

Electrical

	Silver	Gold
OPERATING TEMPERATURE:	-40°C to 85°C	-40°C to 125°C
STORAGE TEMPERATURE:	-40°C to 85°C	-55°C to 125°C

Mechanical

Type	Operating force FA Newtons (grams)	Operating life (operations)	Travel
KSJ0VD1860SHLFT	6,0 (600)	100,000	0,50 ± 0,25
KSJ0MD1860SHLFT	6,0 (600)	100,000	0,50 ± 0,25

Process

Wave soldering, compatible with lead free soldering.

Packaging

In boxes of 250 pieces

Electrical

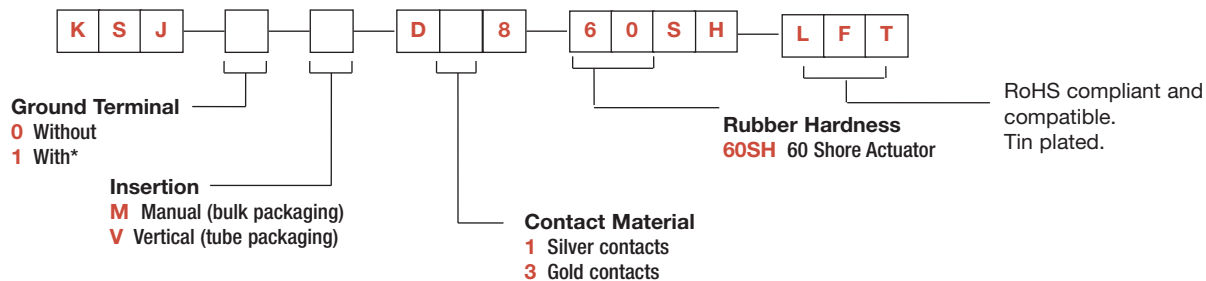
	Silver	Gold
MAXIMUM POWER:	1 VA	0.2 VA
MINIMUM VOLTAGE:	20 mV	20 mV
MAXIMUM VOLTAGE:	32 VDC	32 VDC
MINIMUM CURRENT:	1 mA	1 mA
MAXIMUM CURRENT:	50 mA	10 mA
DIELECTRIC STRENGTH (50 Hz, 1 min.):	≥ 250 V	
CONTACT RESISTANCE:	≤ 100 m ohms	
INSULATION RESISTANCE (100 V):	≥ 10 ⁹ ohms	
BOUNCE TIME:	≤ 1 ms	

How To Order

Our easy build-a-switch concept allows you to mix and match options to create the switch you need. To order, select desired option from each category and place it in the appropriate box.

However, please note that all the combinations of these options are not feasible.

For any part number different from those listed above, please consult your local representative.



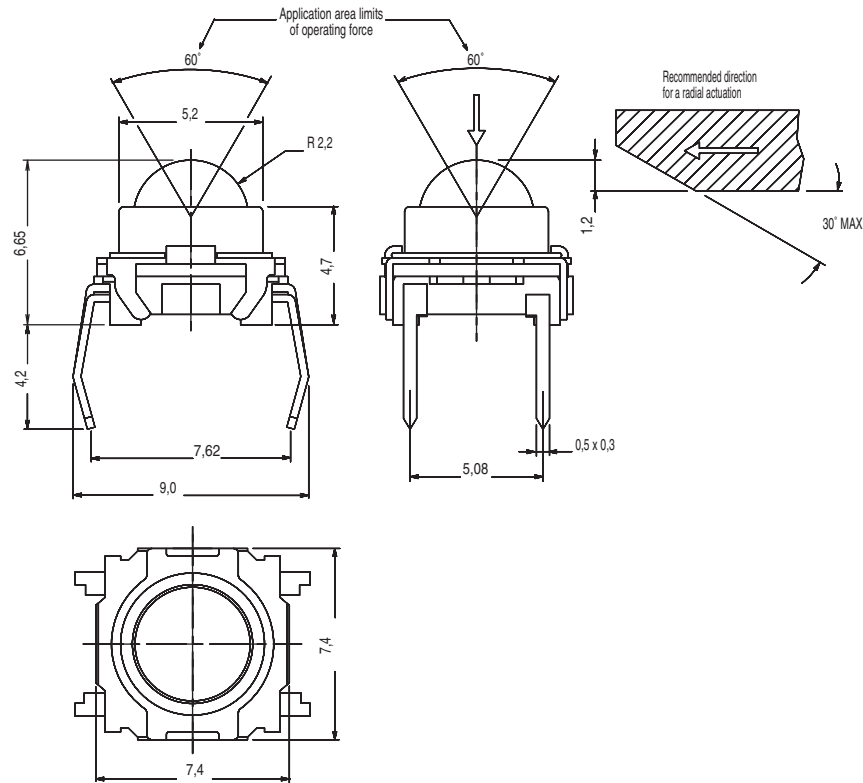
*Note: "1" ground terminal option not available with "V" version.
The bracket for the "V" version plays this role.



Dimensions are shown: mm
Specifications and dimensions subject to change

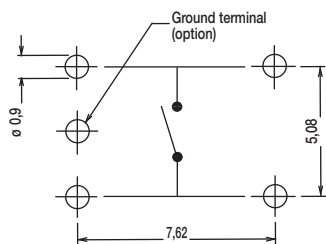
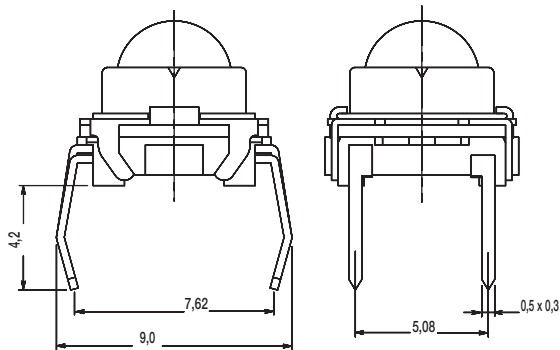
KSJ Detect Series Spherical Actuator Detect Switches

KSJ

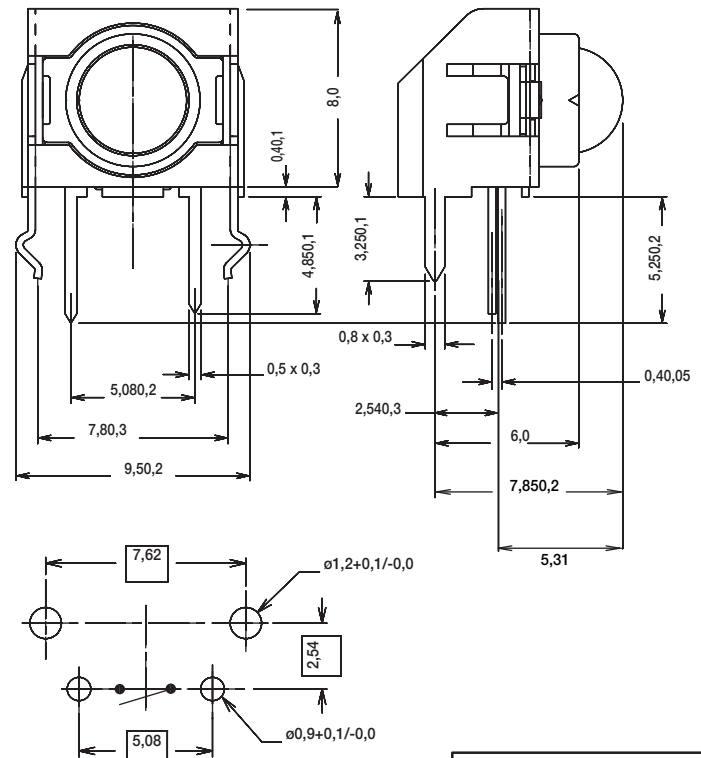


INSERTION

M MANUAL



V VERTICAL



Detect

C&K

First Angle
Projection

Dimensions are shown: mm
Specifications and dimensions subject to change

www.ck-components.com