

ED & EDM Domes



Features

- Short travel
- Good tactile feedback
- Self cleaning
- 3 actuation forces
- RoHS

Typical Applications

- Aircraft
- Instrument
- Panels
- Radio equipment

Specification

ED: Disc element
 EDM: Disc element and double dome
 FUNCTION: Momentary action
 CONTACT TYPE: Normally open - SPST
 TERMINALS: Through hole PCB terminations or Tabs
 OPERATING LIFE: 1,000,000

Electrical

	Silver	Gold
MAXIMUM POWER:	1.0 VA	0.2 VA
MAXIMUM VOLTAGE:	100 VDC	100 VDC
MINIMUM VOLTAGE:	20m VDC	20m VDC
MIN/MAX CURRENT:	1.0 mA - 100 mA	50µA - 50 mA
DIELECTRIC STRENGTH:	≥ 250 Vrms	
CONTACT RESISTANCE:	≤ 100 mΩ	
INSULATION RESISTANCE:	Initial measurement: ≥ 1 GΩ	
(between terminals)	After damp heat: ≥ 10 MΩ	
BOUNCE TIME:	≤ 3 ms	

Packaging

Trays 50 pieces.

Mechanical

Environmental

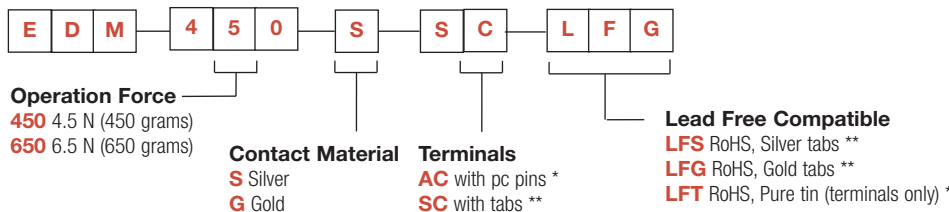
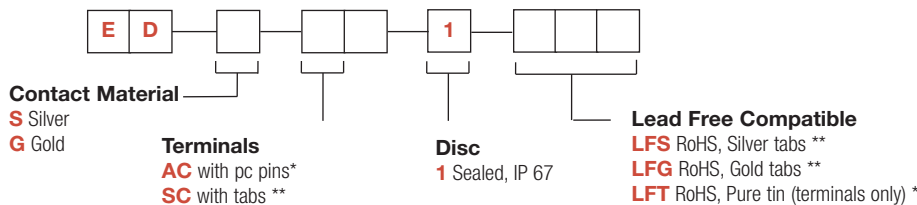
	Silver	Gold
OPERATING TEMPERATURE:	-25°C to 70°C	-55°C to 85°C

Type	Operating force Newtons (grams)	Tactile Feeling (Δ%)	Return Force N	Travel (mm)
EDSAC LFS	2.4 (240) ± 25%	≥ 30%	≥ 0.4 N	0.3mm ± 0.15
EDSSC LFS	2.4 (240) ± 25%	≥ 30%	≥ 0.4 N	0.3mm ± 0.15
EDM450SAC LFS	4.5 (450) ± 25%	≥ 25%	≥ 1.0 N	0.5mm ± 0.25
EDM650SSC LFS	6.5 (650) ± 25%	≥ 25%	≥ 1.6 N	0.6mm ± 0.25

SIMULTANEITY: ≤ 0.05 mm

How To Order

Our easy build-a-switch concept allows you to mix and match options to create the switch you need. To order, select desired option from each category and place it in the appropriate box.



Note

* AC terminals only available with LFT

** SC terminals only available with LFS or LFG



First Angle Projection

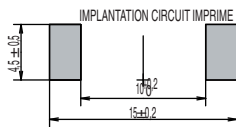
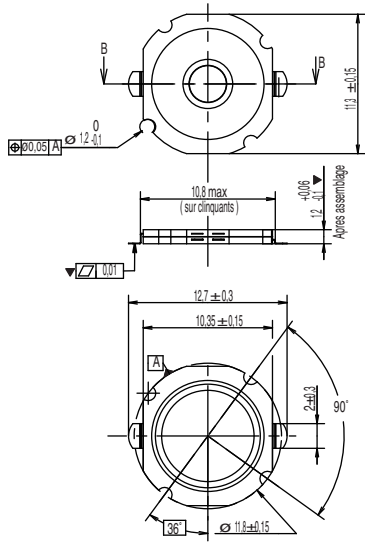
Dimensions are shown: mm
 Specifications and dimensions subject to change



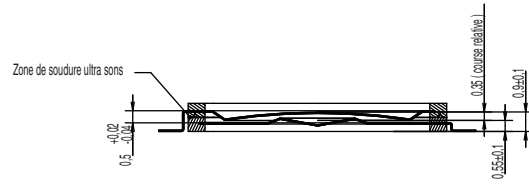
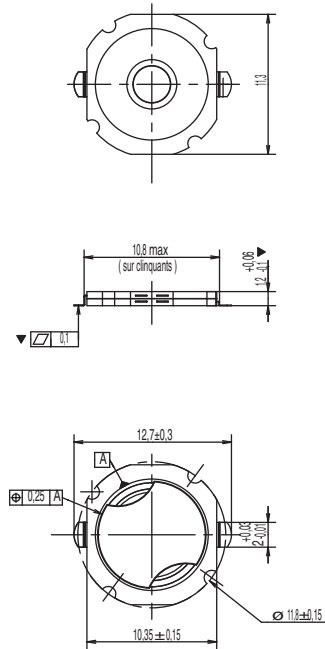
D

Key Switches

ED



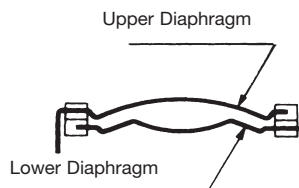
EDM



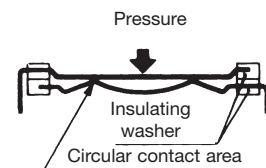
Switch Action Principal

The disc contact is essentially made of two separate conductive dome diaphragms separated by an insulated material.

The upper diaphragm is shaped so that under pressure it collapses suddenly and establishes contact with the lower diaphragm.



Switch in resting position



Switch in active position



First Angle Projection