

# CA Series Power Rocker Switches

## Features/Benefits

- 15 AMPS @ 125 V AC
- Cosmetic slimline detail
- Positive detent

## Typical Applications

- Hair dryers and other small appliances
- HVAC and other large appliances
- RoHS compliant



## Specifications

CONTACT RATING: 15 AMPS @ 125 V AC;  
10 AMPS @ 250 V AC;  
1/4 HP @ 125 V AC or 250 V AC

ELECTRICAL LIFE: 10,000 make-and-break cycles at full load.

INSULATION RESISTANCE:  $10^9 \Omega$  min.

DIELECTRIC STRENGTH: 1,000 Vrms min. @ sea level.

OPERATING TEMPERATURE: -30°C to +65°C

## Materials

HOUSING: 6/6 nylon (UL 94V-2), black.

ACTUATOR: Polycarbonate (UL 94V-2), black.

CONTACTS: Coin silver, silver plated.

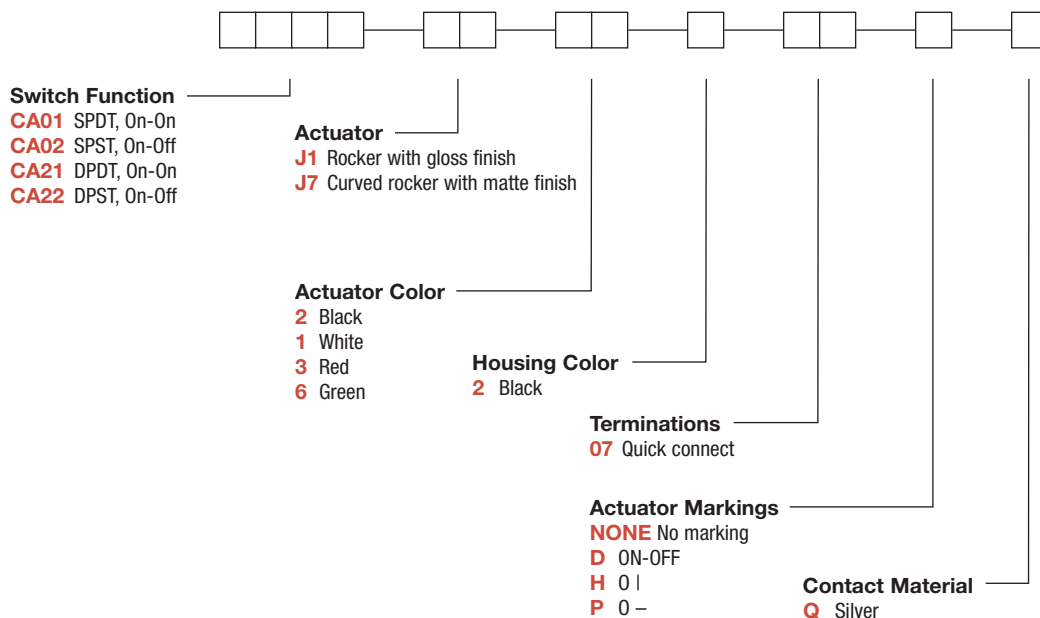
TERMINALS: Copper, silver plated.

CONTACT SPRING: Music wire.

**NOTE:** Specifications and material listed above are for switches with standard options. For information on specific and custom switches, consult Customer Service Center.

## Build-A-Switch

To order, simply select desired option from each category and place in the appropriate box. Available options are shown and described on pages G-106 through G-108. For additional options not shown in catalog, consult Customer Service Center.



Rocker



G

**C&K**



Third Angle  
Projection

Dimensions are shown: Inches (mm)

Specifications and dimensions subject to change

[www.ck-components.com](http://www.ck-components.com)

# CA Series Power Rocker Switches

## SWITCH FUNCTION

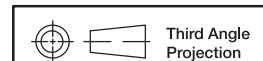


NO. POLES	MODEL NO.	SWITCH FUNCTION		CONNECTED TERMINALS		SCHEMATIC
		POS. 1	POS. 2	POS. 1	POS. 2	
SP	<b>CA01</b>	ON	ON	1-1A	1-1B	SPDT
	<b>CA02</b>	ON	OFF	1-1A	OPEN	SPST
<p><b>SPST</b></p> <p>Part number shown: CA02J12207Q</p>						
DP	<b>CA21</b>	ON	ON	1-1A, 2-2A	1-1B, 2-2B	DPDT
	<b>CA22</b>	ON	OFF	1-1A, 2-2A	OPEN	DPST
<p><b>DPDT</b></p> <p>Part number shown: CA21J12207Q</p>						

For complete contact ratings and agency approvals, see CONTACT MATERIAL section, page G-108.

Contacts make on side opposite actuator thrown.

All models with all options.



Third Angle  
Projection

Dimensions are shown: Inches (mm)  
Specifications and dimensions subject to change

[www.ck-components.com](http://www.ck-components.com)

Rocker



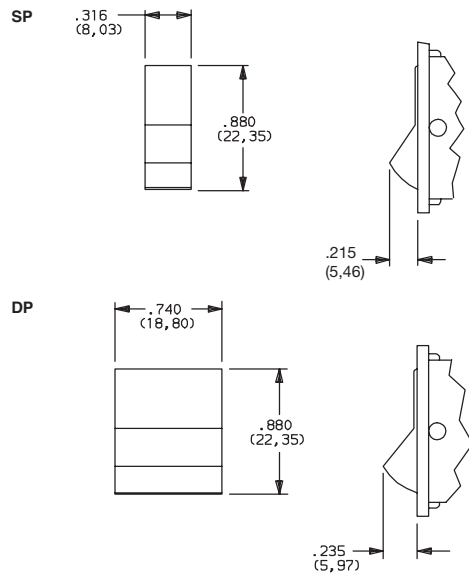
G

# CA Series Power Rocker Switches

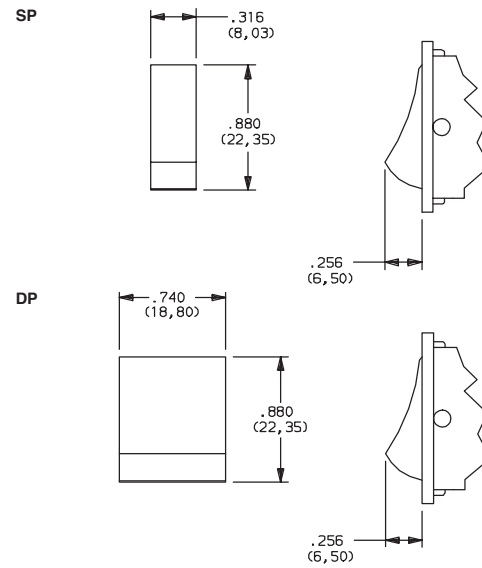
## ACTUATOR



### J1 ROCKER WITH GLOSS FINISH



### J7 CURVED ROCKER WITH MATTE FINISH



## ACTUATOR COLOR



OPTION CODE	OPAQUE ACTUATOR COLOR
1	WHITE
2	BLACK
3	RED
6	GREEN

**NOTE:** Actuator finish: matte. Special colors available, consult Customer Service Center.

## HOUSING COLOR



OPTION CODE	HOUSING COLOR
2	BLACK

**NOTE:** Housing frame finish: matte.

Rocker



G

**C&K**



Third Angle  
Projection

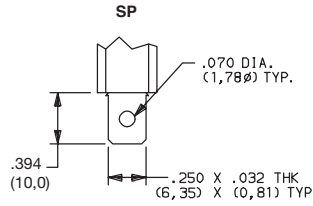
Dimensions are shown: Inches (mm)  
Specifications and dimensions subject to change

[www.ck-components.com](http://www.ck-components.com)

# CA Series Power Rocker Switches

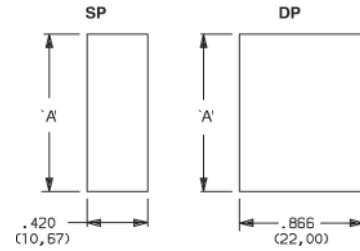
## TERMINATIONS

### 07 QUICK CONNECT



### PANEL MOUNTING

J1, & J7 only



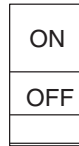
PANEL THICKNESS	DIM 'A'
.059-.078 (1,50) (2,00)	1.102 (28,00)
.078-.118 (2,00) (3,00)	1.110 (28,20)
.118-.177 (3,00) (4,50)	1.126 (28,60)

## ACTUATOR MARKINGS

**NONE** NO MARKING



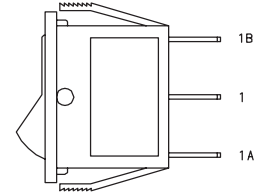
**D** ON-OFF



**H** O |



**P** O -



Marking color white, standard for all actuator colors except white and yellow. Marking color black, standard for white and yellow actuators. Consult Customer Service Center for other available markings and colors.

**NOTE:** Orientation of actuator markings and terminals

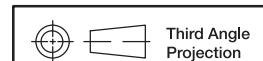
## CONTACT MATERIAL

OPTION CODE	CONTACT AND TERMINAL MATERIAL	RATINGS	
<b>QA</b>	SILVER	POWER	16 AMPS @ 125 VAC; 1/3 HP; 10 AMPS @ 250 VAC; 1/2 HP

\* Note: See Technical Data section of this catalog for RoHS compliant and compatible definitions and specifications.

<sup>1</sup> CONTACTS: Coin silver, silver plated.  
TERMINALS: Copper, silver plated.

All models with all options.



Dimensions are shown: Inches (mm)  
Specifications and dimensions subject to change

www.ck-components.com

Rocker



G

# CA Series Illuminated Power Rocker Switches

## Features/Benefits

- 15 AMPS @ 125 V AC
- Illuminated actuator
- Various actuator styles

## Typical Applications

- Power outlet strips
- Appliances
- Handling and packaging machines
- RoHS compliant



## Specifications

CONTACT RATING: 15 AMPS @ 125 V AC; 10 AMPS @ 250 V AC; 1/4 HP @ 125 V AC or 250 V AC.

ELECTRICAL LIFE: 10,000 make-and-break cycles at full load.

LAMP LIFE: 20,000 hours typ.

INSULATION RESISTANCE:  $10^9 \Omega$  min.

DIELECTRIC STRENGTH: 1,000 Vrms min. @ sea level.

## Materials

HOUSING: 6/6 nylon (UL 94V-2), black.

ACTUATOR: Polycarbonate (UL 94V-2), red.

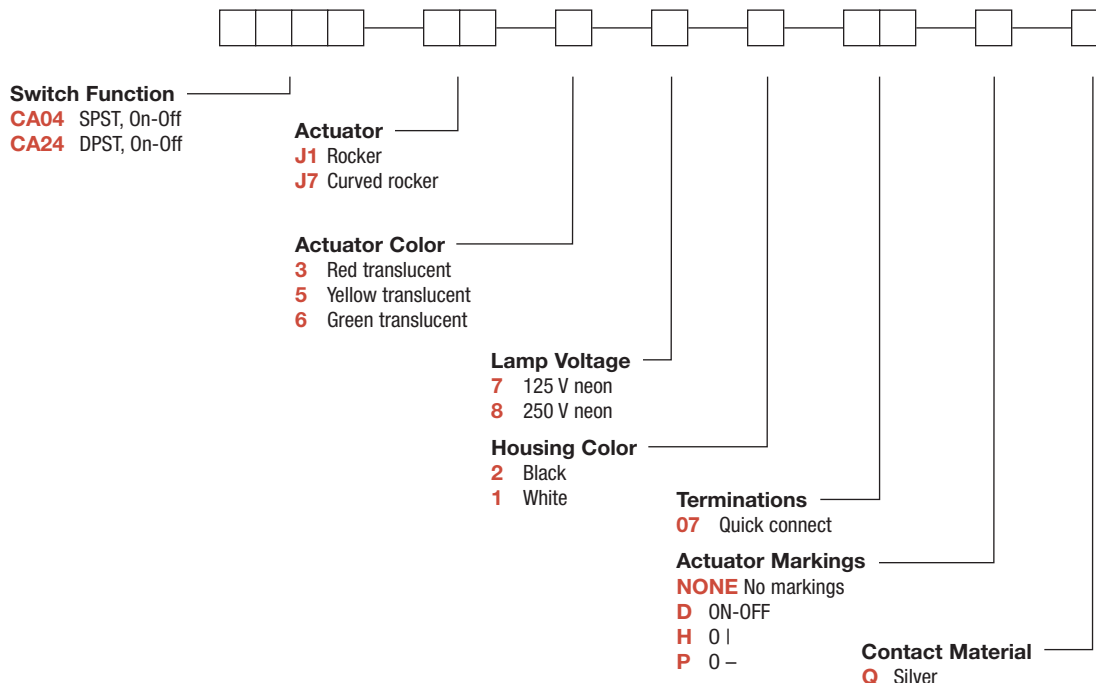
CONTACTS: Coin silver, silver plated.

OPERATING TEMPERATURE: -30°C to +65°C

**NOTE:** Specifications and materials listed above are for switches with standard options. For information on specific and custom switches, consult Customer Service Center.

## Build-A-Switch

To order, simply select desired option from each category and place in the appropriate box. Available options are shown and described on pages G-103 through G-105. For additional options not shown in catalog, consult Customer Service Center.



Rocker



G

**C&K**



Dimensions are shown: Inches (mm)

Specifications and dimensions subject to change

[www.ck-components.com](http://www.ck-components.com)

# CA Series Illuminated Power Rocker Switches

## SWITCH FUNCTION

NO. POLES	MODEL NO.	SWITCH FUNCTION		CONNECTED TERMINALS		SCHEMATIC
		POS. 1	POS. 2	POS. 1	POS. 2	
SP	<b>CA04</b>	ON	OFF	1-1A	OPEN	
<p><b>SPST</b></p> <p>Part number shown: CA04J137207Q</p>						
DP	<b>CA24</b>	ON	OFF	1-1A, 2-2A	OPEN	
<p><b>DPST</b></p> <p>Part number shown: CA24J137207Q</p>						

See CONTACT MATERIAL section, page G-105, for complete contact ratings and agency approvals.

Contacts make on side opposite actuator thrown.

All models with all options.



Third Angle  
Projection

Dimensions are shown: Inches (mm)  
Specifications and dimensions subject to change

[www.ck-components.com](http://www.ck-components.com)

Rocker



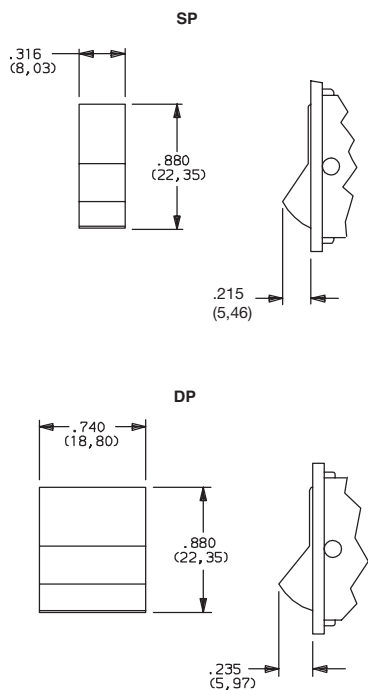
G

# CA Series Illuminated Power Rocker Switches

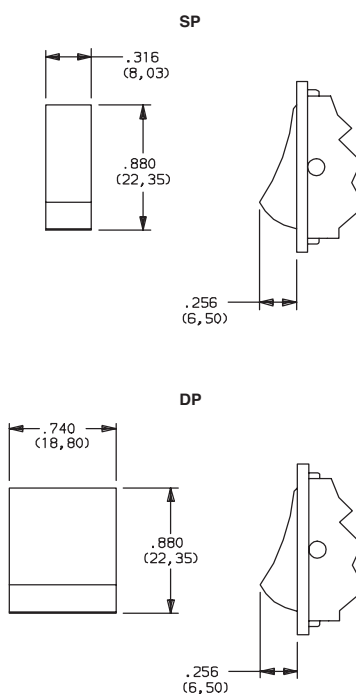
## ACTUATOR



### J1 ROCKER



### J7 CURVED ROCKER



## ACTUATOR COLOR



OPTION CODE	ACTUATOR COLOR
3	RED TRANSLUCENT
5	YELLOW
6	GREEN

**NOTE:** Special colors available, consult Customer Service Center.

## NEON LAMP VOLTAGE



- 7 125 V NEON
- 8 250 V NEON

## HOUSING COLOR



OPTION CODE	HOUSING COLOR
2	BLACK
1	WHITE

**NOTE:** Housing frame finish: matte. Special colors available, consult Customer Service Center.

Rocker



G

**C&K**



Third Angle  
Projection

Dimensions are shown: Inches (mm)

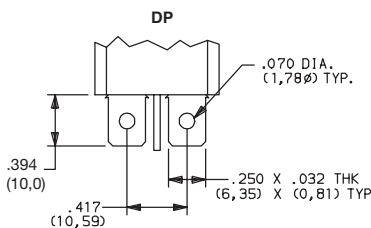
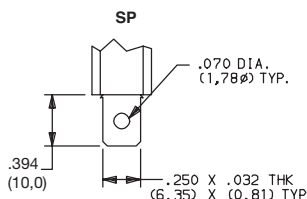
Specifications and dimensions subject to change

[www.ck-components.com](http://www.ck-components.com)

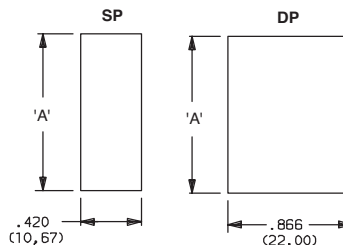
# CA Series Illuminated Power Rocker Switches

## TERMINATIONS

### 07 QUICK CONNECT



### PANEL MOUNTING



PANEL THICKNESS	DIM 'A'
.059-.078 (1,50) (2,00)	1.102 (28,00)
.078-.118 (2,00) (3,00)	1.110 (28,20)
.118-.177 (3,00) (4,50)	1.126 (28,60)

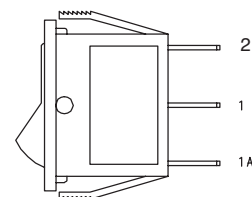
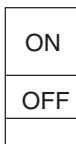
## ACTUATOR MARKINGS

**NONE** NO MARKING

**D** ON-OFF

**H** O I

**P** O -



Marking color white, standard for all actuator colors except yellow. Marking color black, standard for yellow actuators. Consult Customer Service Center for other available markings and colors.

**NOTE:** Orientation of actuator markings and terminals

## CONTACT MATERIAL

OPTION CODE	CONTACT AND TERMINAL MATERIAL	RATINGS	
<b>Q</b>	SILVER <sup>1</sup>	POWER	15 AMPS @ 125 V AC; 10 AMPS @ 250 V AC; 1/4 HP @ 125 V AC or 250 V AC (UL/CSA).

\* Note: See Technical Data section of this catalog for RoHS compliant and compatible definitions and specifications.

<sup>1</sup> CONTACTS: Coin silver, silver plated.  
TERMINALS: Copper, silver plated.

All models **C&K** <sup>®</sup> **US** with all options.