



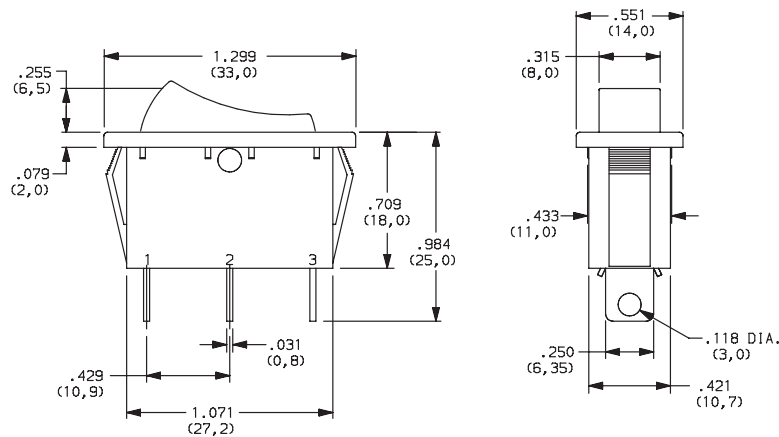
# CM Series Single Pole Power Rocker Switches

## SWITCH FUNCTION



| NO. POLES | MODEL NO.     | SWITCH FUNCTION              |        |        | CONNECTED TERMINALS          |        |        | SCHEMATIC |     |
|-----------|---------------|------------------------------|--------|--------|------------------------------|--------|--------|-----------|-----|
|           |               | Pos. 1                       | Pos. 2 | Pos. 3 | Pos. 1                       | Pos. 2 | Pos. 3 |           |     |
|           |               |                              |        |        |                              |        |        |           |     |
|           |               | C&K marking on opposite side |        |        | C&K marking on opposite side |        |        |           |     |
| SP        | <b>CM101</b>  | ON                           | NONE   | ON     | 2-1                          | N/A    | 2-1    |           |     |
|           | <b>CM102</b>  | ON                           | NONE   | OFF    |                              |        | OPEN   |           |     |
|           | <b>CM103</b>  | ON                           | OFF    | ON     |                              |        | OPEN   | 2-3       |     |
|           | <b>CM107</b>  | ON                           | OFF    | MOM.   |                              |        |        |           |     |
|           | <b>CM12 *</b> | ON                           | NONE   | OFF    |                              |        |        |           | N/A |

\* CM12 - for switches with both marking and illumination

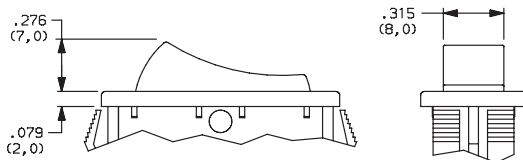


## ACTUATOR



**J1** ROCKER

**J3** ILLUMINATED ROCKER



NOTE: J3 actuator available with CM102 & CM12 switch function only.

**C&K**

Third Angle Projection

Dimensions are shown: Inches (mm)  
Specifications and dimensions subject to change

www.ck-components.com

Rocker



G

# CM Series Single Pole Power Rocker Switches

## ACTUATOR COLOR



| OPTION CODE | ACTUATOR COLOR     |
|-------------|--------------------|
| 2           | BLACK              |
| 1           | WHITE              |
| 3           | RED                |
| R           | RED, ILLUMINATED   |
| A           | AMBER, ILLUMINATED |
| G           | GREEN, ILLUMINATED |

## MOUNTING STYLE/COLOR

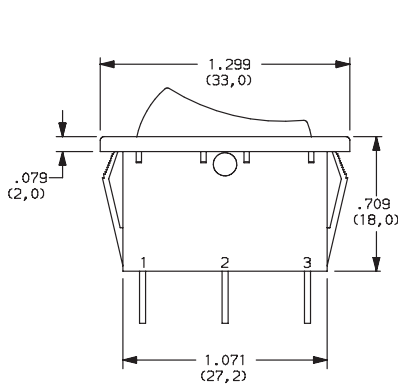


**S2** SNAP-IN, BLACK

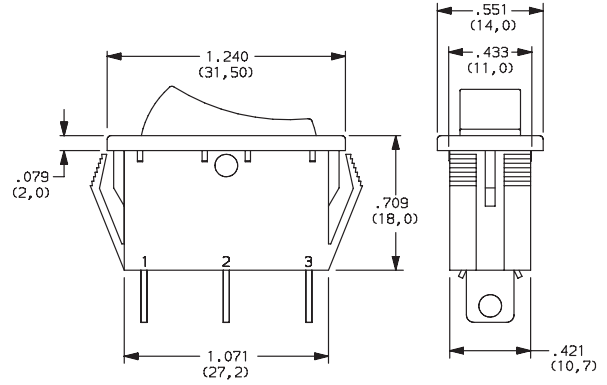
**S1** SNAP-IN, WHITE

**S4** SNAP-IN, BLACK (SHORT FRAME)

**S3** SNAP-IN, WHITE

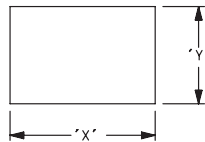


Shown in Pos. 1



Shown in Pos. 1

### PANEL MOUNTING



| PANEL THICKNESS         | "X"                   | "Y"                   |
|-------------------------|-----------------------|-----------------------|
| 0.030-0.049 (0,75-1,25) | 1.189-.004 (30,2-0,1) | 0.441+.004 (11,2+0,1) |
| 0.049-0.079 (1,25-2,0)  | 1.197-.004 (30,4-0,1) | 0.441+.004 (11,2+0,1) |
| 0.079-0.118 (2,0-3,0)   | 1.212-.004 (30,8-0,1) | 0.441+.004 (11,2+0,1) |

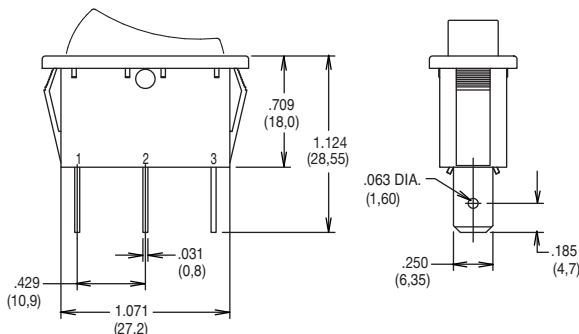
## TERMINATION



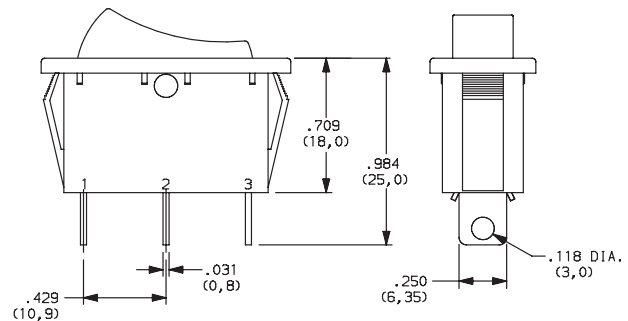
**05** .250 QUICK CONNECT

**07** SOLDER LUG

Rocker



Shown in Pos. 1



**NOTE:** Available with CM101 & CM102 switch functions only.



Third Angle  
Projection

Dimensions are shown: Inches (mm)

Specifications and dimensions subject to change

[www.ck-components.com](http://www.ck-components.com)



G

**C&K**

# CM Series Single Pole Power Rocker Switches

## ACTUATOR MARKING



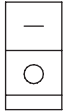
**NONE** NO MARKING



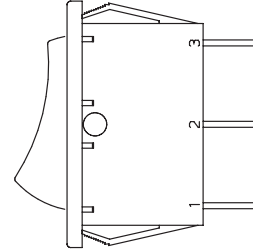
**D** ON-OFF



**H** 0 I



**P** 0 -



**NOTE:** Orientation of actuator marking and terminals.

Shown in Pos. 1

## CONTACT MATERIAL



| OPTION CODE | CONTACT AND TERMINAL MATERIAL | RATINGS |  |
|-------------|-------------------------------|---------|--|
|             |                               | POWER   |  |
| <b>QA</b>   | SILVER                        |         | 16 AMPS @ 125 VAC; 1/8 HP<br>10 AMPS @ 250 VAC; 1/3 HP |

\* Note: See Technical Data section of this catalog for RoHS compliant and compatible definitions and specifications.



## LAMP RATING

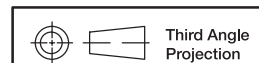


**(NONE)** NO LAMP

**7** 125 VAC 33kΩ NEON

**8** 250 VAC 150kΩ NEON

**NOTE:** Lamp rating for J3 & J8 actuator option.



Third Angle  
Projection

Dimensions are shown: Inches (mm)  
Specifications and dimensions subject to change

[www.ck-components.com](http://www.ck-components.com)

Rocker



G