

CR Series Round Single Pole Specialty Rocker Switches

Features/Benefits

- Round actuator and body
- Nice styling
- Multiple illuminated versions available
- IP65 splash proof rubber boot option

Typical Applications

- Appliances, small and large
- Office equipment
- Computers and peripherals
- Audio/Video equipment
- RoHS compliant



UL US UL 61058-1

Specifications

CONTACT RATING:

16 AMPS @ 125 VAC, 10 AMPS @ 250 VAC.

16 AMPS @ 125 VAC, 10 AMPS @ 250 VAC.

ELECTRICAL LIFE: 10,000 make and break cycles at full load.

INSULATION RESISTANCE: $10^8 \Omega$ min.

DIELECTRIC STRENGTH: 1,500 VRMS @ sea level.

OPERATING TEMPERATURE: -20°C to + 85°C

Materials

HOUSING AND ACTUATOR: 6/6 nylon (UL94V-2), matte finish.

ILLUMINATED ACTUATOR: Polycarbonate, matte finish.

CENTER CONTACTS: Silver plated, copper alloy.

END CONTACTS: Silver plated AgSnO₂InO₃.

ALL TERMINALS: Silver plated, copper alloy.

NOTE: Specifications and materials listed above are for switches with standard options. For information on specific and custom switches, consult Customer Service Center.

Build-A-Switch

To order, simply select desired option from each category and place in the appropriate box. Available options are shown and described on pages G-78 through G-80. For additional options not shown in catalog, consult Customer Service Center.

| | | |
|---|--|--|
| <p>Switch Function</p> <p>CR101 SPDT On-None-On</p> <p>CR102 SPST On-None-Off</p> <p>Actuator</p> <p>J1 Rocker</p> <p>J2* Two-tone rocker</p> <p>J3 Illuminated rocker</p> <p>J4** Circle, illuminated rocker</p> <p>J5 Oval, illuminated rocker</p> <p>JN Paddle, rocker</p> <p>JP Paddle, illuminated rocker</p> | <p>Actuator Color</p> <p>2 Black</p> <p>1 White</p> <p>3 Red</p> <p>R Red, illuminated</p> <p>A Amber, illuminated</p> <p>G Green, illuminated</p> <p>Mounting Style/Color</p> <p>S2 Snap-in, black</p> <p>S1 Snap-in, white</p> | <p>Termination</p> <p>15 .187" quick connect</p> <p>Contact Rating</p> <p>QF Silver</p> <p>Lamp Rating</p> <p>(NONE) No lamp</p> <p>6 LED</p> <p>7 125 VAC neon</p> <p>8 250 VAC neon</p> |
|---|--|--|

* Refer to table on page G-79 for actuator options.

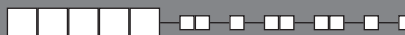


Dimensions are shown: Inches (mm)
Specifications and dimensions subject to change

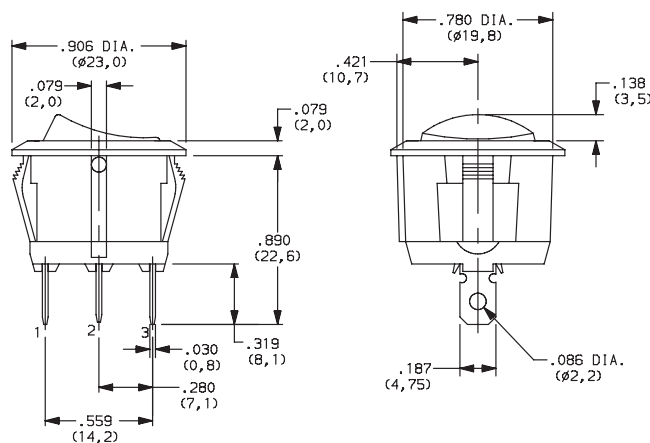


CR Series Round Single Pole Specialty Rocker Switches

SWITCH FUNCTION



| NO. POLES | MODEL NO. | SWITCH FUNCTION | | | CONNECTED TERMINALS | | | SCHEMATIC |
|-----------|--------------|-----------------|--------|--------|---------------------|--------|--------|---|
| | | Pos. 1 | Pos. 2 | Pos. 3 | Pos. 1 | Pos. 2 | Pos. 3 | |
| | | | | | | | | |
| | CR101 | ON | NONE | ON | 2-3 | | 2-1 | |
| SP | CR102 | ON | NONE | OFF | | N/A | | OR For 7 & 8 Illuminated Versions |



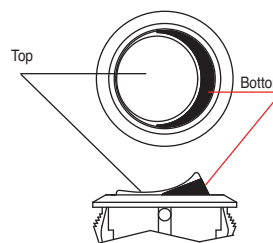
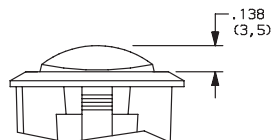
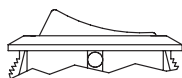
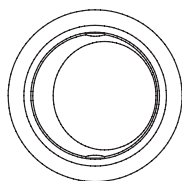
ACTUATOR



- J1** ROCKER
- J3** ILLUMINATED ROCKER

- J2** TWO-TONE ROCKER

Rocker



NOTE: J3 actuator available with the combination of 7 & 8 lamp ratings and CR102 switch function only.



G

C&K



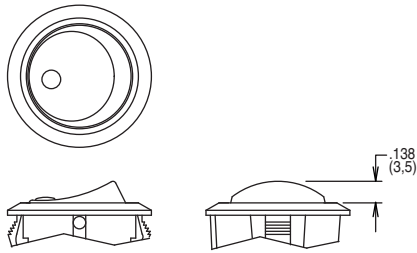
Third Angle
Projection

Dimensions are shown: Inches (mm)
Specifications and dimensions subject to change

CR Series Round Single Pole Specialty Rocker Switches

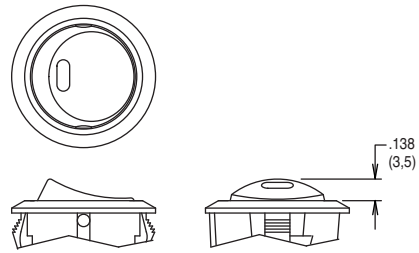
ACTUATOR

J4 CIRCLE, ILLUMINATED ROCKER



NOTE: Available with the combination of CR102 switch function and 7 & 8 lamp ratings only.

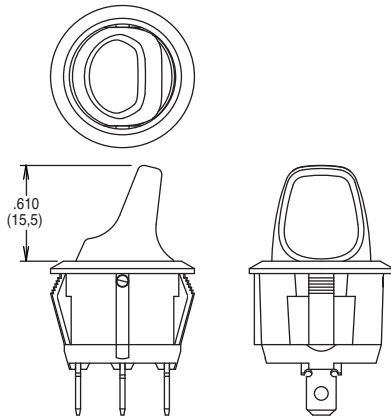
J5 OVAL, ILLUMINATED ROCKER



NOTE: Available with the combination of CR102 switch function and 6 lamp rating only.

JN PADDLE, ROCKER

JP PADDLE, ILLUMINATED ROCKER

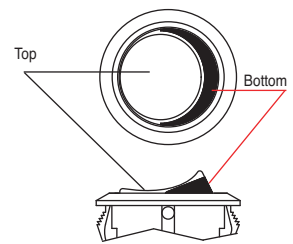


NOTE: JP actuator available with the combination of CR102 switch function and 7 & 8 lamp ratings only.

ACTUATOR COLOR

| ACTUATOR | OPTION CODE | ACTUATOR COLOR |
|--------------------------------|-------------|--------------------|
| J1 | 2 | BLACK |
| | 1 | WHITE |
| | 3 | RED |
| J3, J4 J5, JP | R | RED, ILLUMINATED |
| | A | AMBER, ILLUMINATED |
| | G | GREEN, ILLUMINATED |

| ACTUATOR | OPTION CODE | ACTUATOR COLOR | |
|-----------|-------------|----------------|--------|
| | | TOP | BOTTOM |
| J2 | 1 | WHITE | RED |
| | 2 | WHITE | BLACK |
| | 3 | RED | WHITE |
| | 4 | BLACK | WHITE |
| | 5 | BLACK | RED |

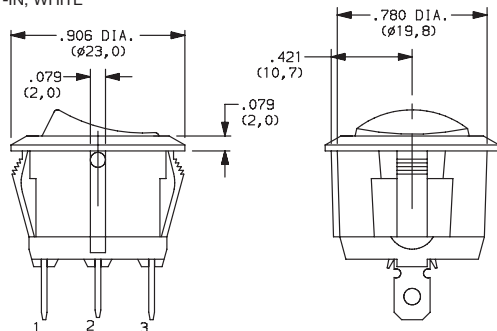


J2 actuator only

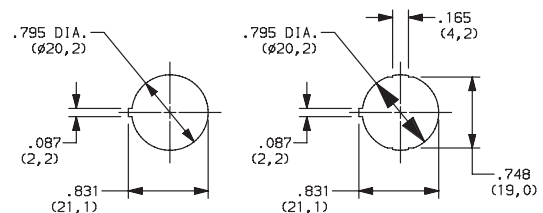
MOUNTING STYLE/COLOR

S2 SNAP-IN, BLACK

S1 SNAP-IN, WHITE

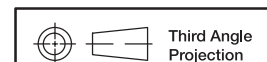


PANEL MOUNTING



Panel thickness:
2.0 - 3.0 mm

Panel thickness:
0.7 - 3.0 mm



Third Angle Projection

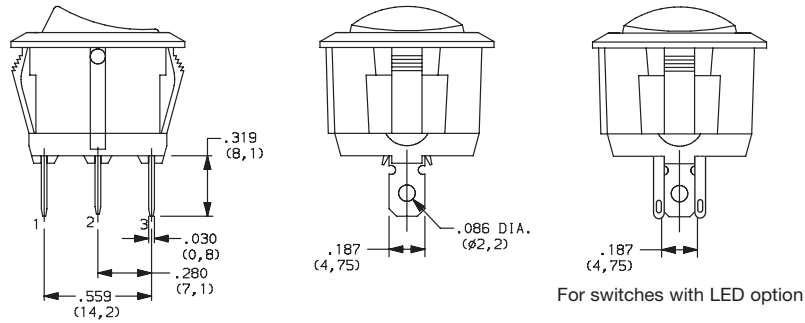
Dimensions are shown: Inches (mm)
Specifications and dimensions subject to change




CR Series Round Single Pole Specialty Rocker Switches

TERMINATION

15 .187" QUICK CONNECT



CONTACT MATERIAL

| OPTION CODE | CONTACT AND TERMINAL MATERIAL | RATINGS | |
|-------------|-------------------------------|---------|--|
| QF | SILVER | POWER | 16 AMPS @ 125 VAC; 10 AMPS @ 250 VAC  |

* Note: See Technical Data section of this catalog for RoHS compliant and compatible definitions and specifications.

LAMP RATING

(NONE) NO LAMP

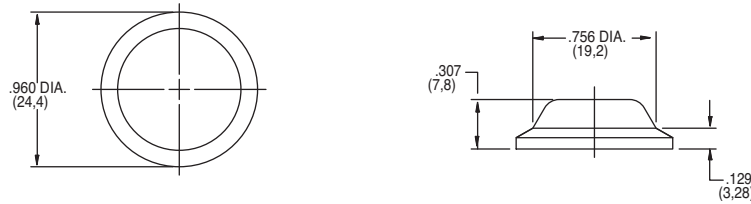
6 LED RATING @ 10 mA $V_f=1.85V$

7 125 VAC 33kΩ NEON

8 250 VAC 150kΩ NEON

ACCESSORIES

377C00000 IP65 SPLASH PROOF RUBBER BOOT

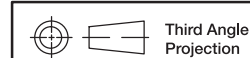


Rocker



G

C&K



Dimensions are shown: Inches (mm)
Specifications and dimensions subject to change