

# K5V Illuminated Tact Switch



## Features

- Gold plated dome contact SPST/SPDT
- Excellent ergonomics
- High bright leds
- Reduced space usage on board
- 40 N overload
- Tape and reel
- RoHS compliant and compatible

## Typical Applications

- When backlighting and switch are required to be a "2 in 1" component
- The dome contact secures a superior contact reliability in time
- The ergonomics of K5V provides a long travel, a sharp tactile feel and an audible click
- Server, storage, automotive, network infrastructure, medical

## Specification

FUNCTION: momentary action  
 CONTACT ARRANGEMENT: Normally Open + Normally Closed  
 TERMINALS:  
 THT: Through hole terminals with positioning pegs  
 SMT: Surface mount terminals with positioning pegs  
 PM: Panel mount solder terminals with wire hole

## Electrical

POWER MIN/MAX: 0.02VA / 1.0VA  
 VOLTAGE MIN/MAX: 20mVdc – 32 Vdc  
 CURRENT MIN/MAX: 0.1mA – 100mA  
 CONTACT RESISTANCE: <150m Ω  
 INSULATION RESISTANCE: >1G Ω initial, >10M Ω after damp heat  
 BOUNCE TIME: <5ms

## Mechanical

Version	Operating force FA <sup>1</sup> Newtons (grams)	Operating life (operations)	Travel (total travel) mm(mm)
THT, SMT, PM	4.0 (400)	25,000	1.2 (2.4)

<sup>1</sup> Tolerances of operating force FA is ± 25%.

## Environmental

OPERATING TEMPERATURE: -40°C to 85°C  
 STORAGE TEMPERATURE: -50°C to 85°C  
 RELATIVE HUMIDITY: 90 to 96% according to NF EN 60068-2-30  
 PROTECTION: dust protection and flux tight  
 OVERLOAD: 40N min

## Packaging

THT:  
 60 pieces per tray; 1800 pieces per box  
 SMT:  
 330 pieces per reel (reel ø 360mm); 1320 pieces per box  
 PM:  
 60 pieces per tray; 2100 pieces per box

## Process

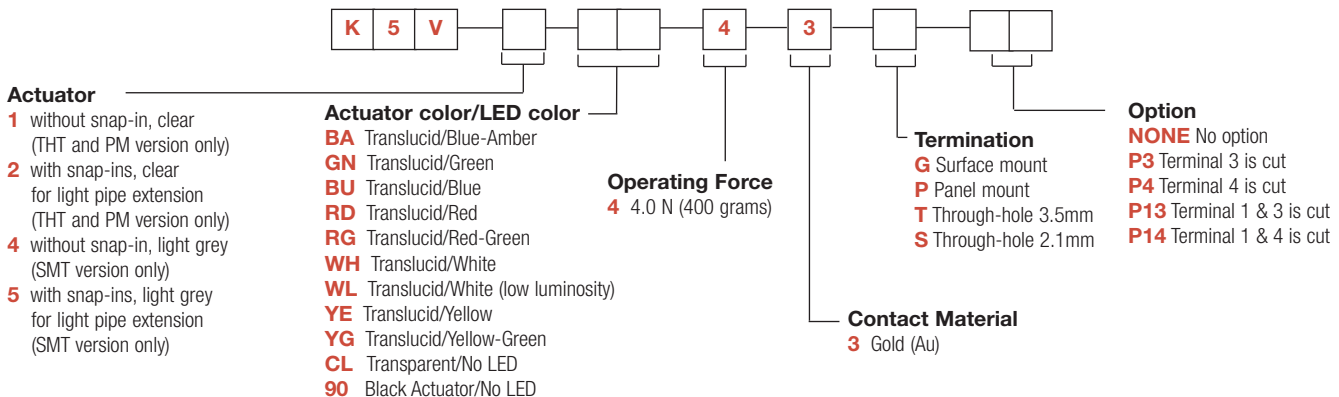
SMT  
 Soldering: Compatible with the lead free soldering profile  
 No washing  
 THT  
 Soldering: Compatible with the lead free soldering profile  
 No washing  
 PM  
 Soldering: Low wattage soldering iron (25-50 watts max).  
 Solder time 3 seconds max. No washing

## Materials

LEAD FREE  
 CONTACTS: Au over Ni  
 SOLDERING: Au over Ni  
 HOUSING: Thermoplastic UL94 V0

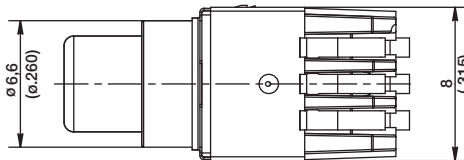
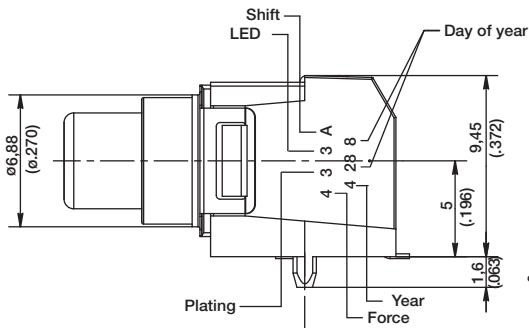
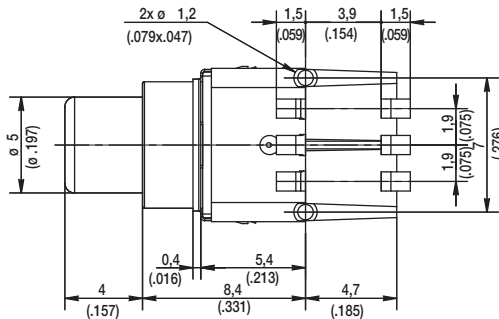
## How To Order

Our easy build-a-switch concept allows you to mix and match options to create the switch you need. To order, select desired option from each category and place it in the appropriate box.

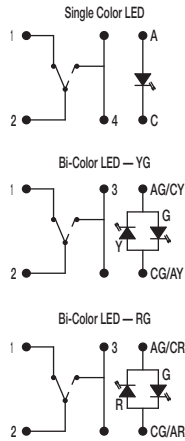


# K5V Illuminated Tact Switch

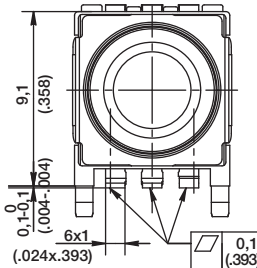
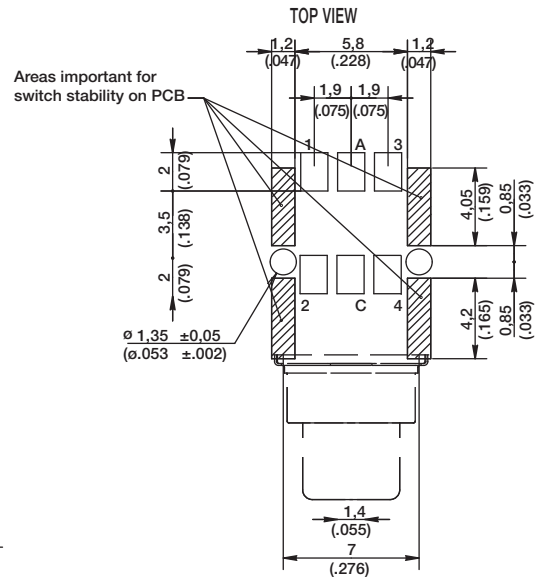
## K5V SMT



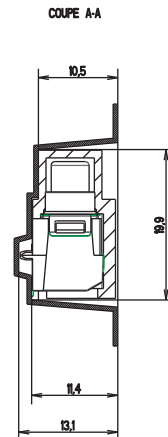
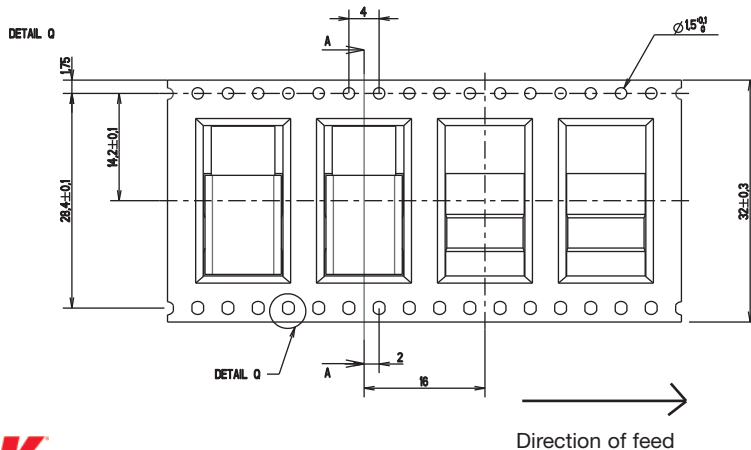
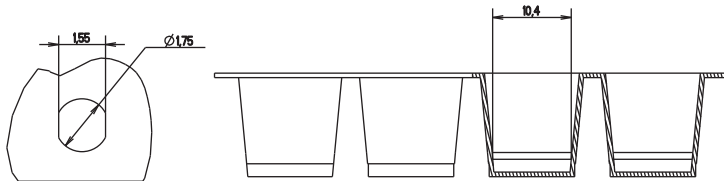
## ELECTRICAL DIAGRAM



## RECOMMENDED PCB LAYOUT ( WITH HOLES )



## TAPE & REEL



Dimensions are shown: mm (inches)  
Specifications and dimensions subject to change

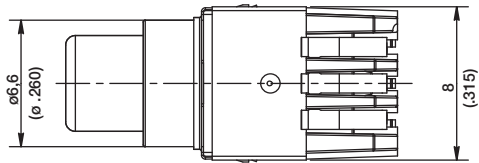
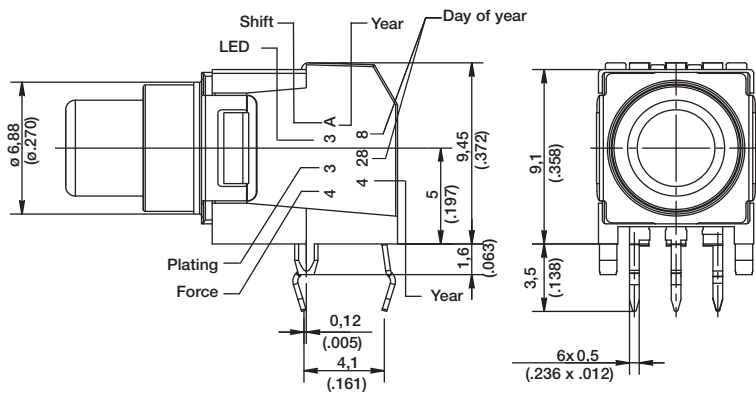
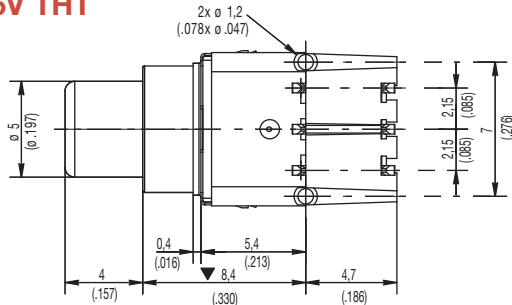


# K5V Illuminated Tact Switch

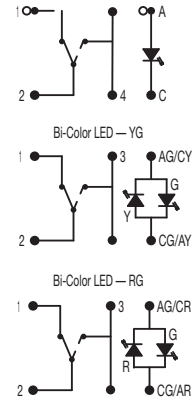
B

Tactile Switches

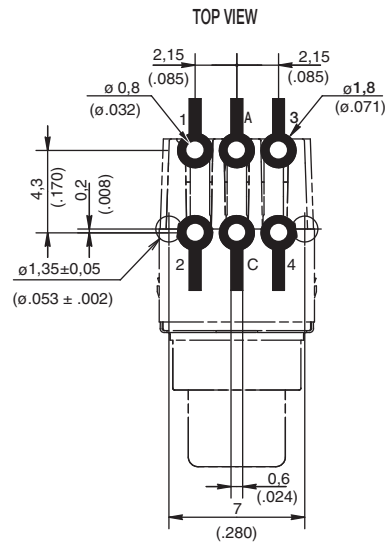
## K5V THT



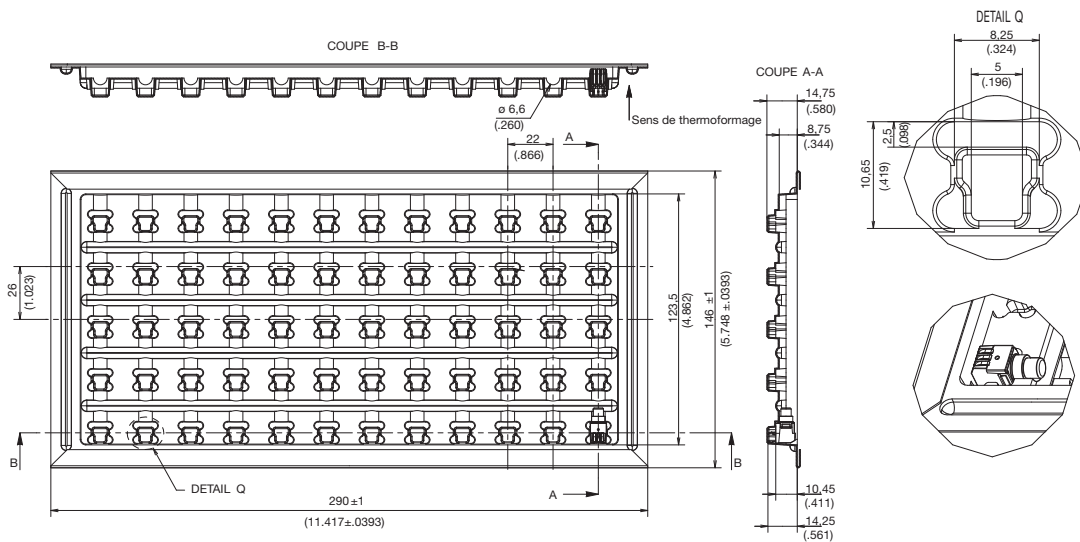
## ELECTRICAL DIAGRAM



## RECOMMENDED PCB LAYOUT (WITH HOLES)



## TRAY

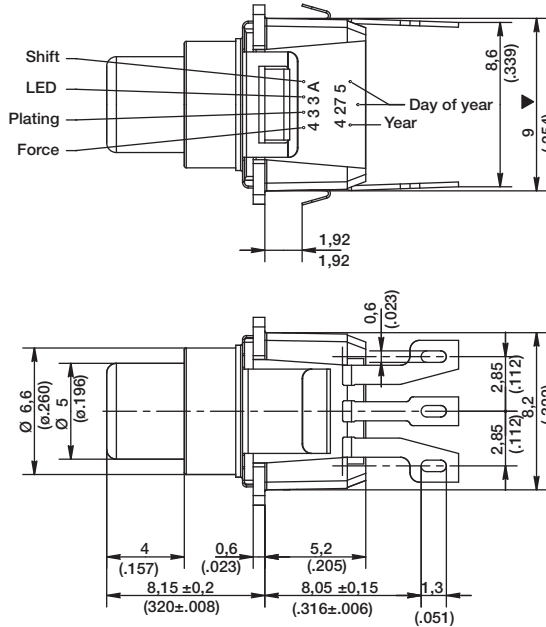


Dimensions are shown: mm (inches)  
Specifications and dimensions subject to change

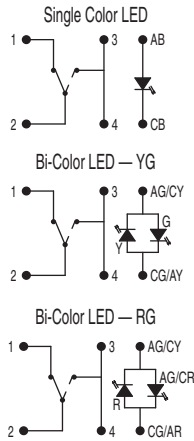
# K5V Illuminated Tact Switch

## K5V PM

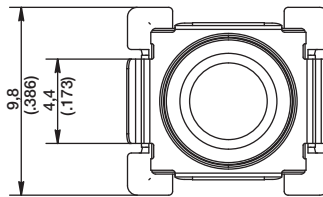
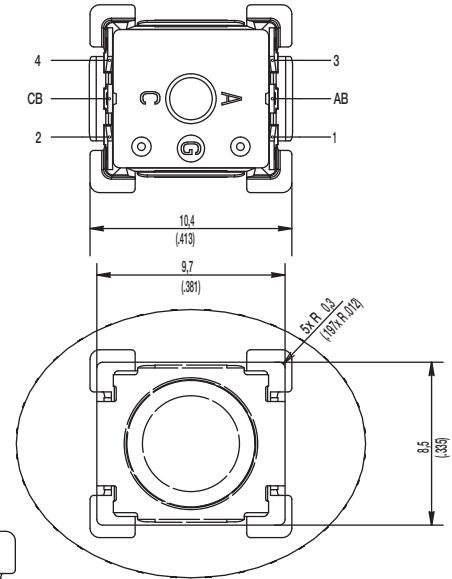
### PRODUCT IDENTIFICATION AND DATE CODES



### ELECTRICAL DIAGRAM



### TERMINAL REFERENCES

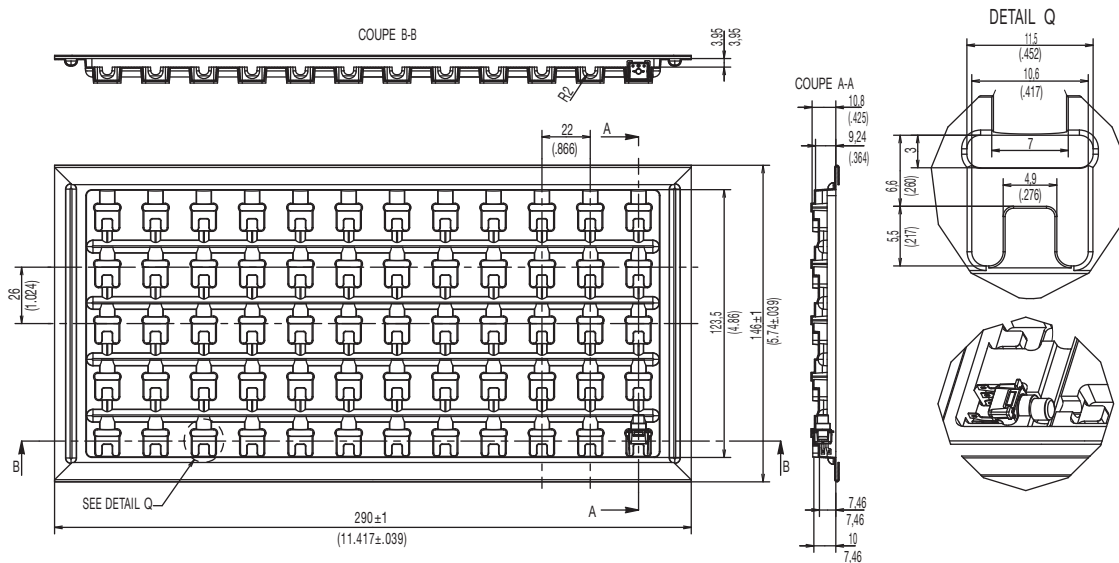


B

Tactile Switches

## TRAY

SUITABLE FOR PANEL THICKNESS OF 1.8MM MAX



Dimensions are shown: mm (inches)  
Specifications and dimensions subject to change