

KSF & KSFI Series Soft Actuated Tact Switch



Features/Benefits

- Soft actuated switch
- Sealed front end
- Top and side actuated

Typical Applications

- Low profile keyboards
- Automotive interfaces
- Industrial control

B

Tactile Switches

Specification

FUNCTION: momentary action
CONTACT ARRANGEMENT: 1 make contact = SPST, N.O.
TERMINALS: THT pins

Mechanical

Type	Force (N)	Operating life (operations)	Travel (mm)
KSF0M211LFT	1.5 ± 0.5	100,000	0.25 ± 0.1
KSF0M311LFT	1.9 ± 0.5	100,000	0.25 ± 0.1
KSF0M411LFT	3.0 ± 0.75	100,000	0.25 ± 0.1
KSF0M511LFT	5.2 ± 1.0	100,000	0.25 ± 0.1
KSFI0V91170SH LFT	3.4 ± 1.5	100,000	0.65 ± 0.25
KSF0M212 LFT	1.6 ± 0.4	300,000	0.25 ± 0.1
KSFI0M412 70SHLFT	3.2 ± 0.8	100,000	0.75 ± 0.25

Overload resistance: 40N, 1 time
Sealing: IP60 or IP67

NOTE: Other configurations of haptics and terminals are available upon demand. Please also refer to KSF and KSFI Mk2 catalogues pages for other options.

This product is designed and manufactured for general electronic devices. For systems where reliability and safety are required, please contact your sales representative to secure product integration and function to secure usage.

Electrical

	Silver	Gold
MAXIMUM POWER:	1 VA	0.2 VA
MAXIMUM VOLTAGE:	32 VDC	32 VDC
MINIMUM VOLTAGE:	20 mV	20 mV
MAXIMUM CURRENT:	50 mA	10 mA
MINIMUM CURRENT:	1 mA	1 mA
DIELECTRIC STRENGTH (50 Hz, 1 min.): > 250 Vrms		
CONTACT RESISTANCE: < 100 m Ω		
INSULATION RESISTANCE (100 V, initial stage): > 10 ⁹ Ω		
BOUNCE TIME: < 1 ms		

Environmental

	Silver	Gold
OPERATING TEMPERATURE:	-40°C to 85°C	-40°C to 125°C
STORAGE TEMPERATURE:	-55°C to 85°C	-40°C to 125°C

Process

SOLDERING

Packaging

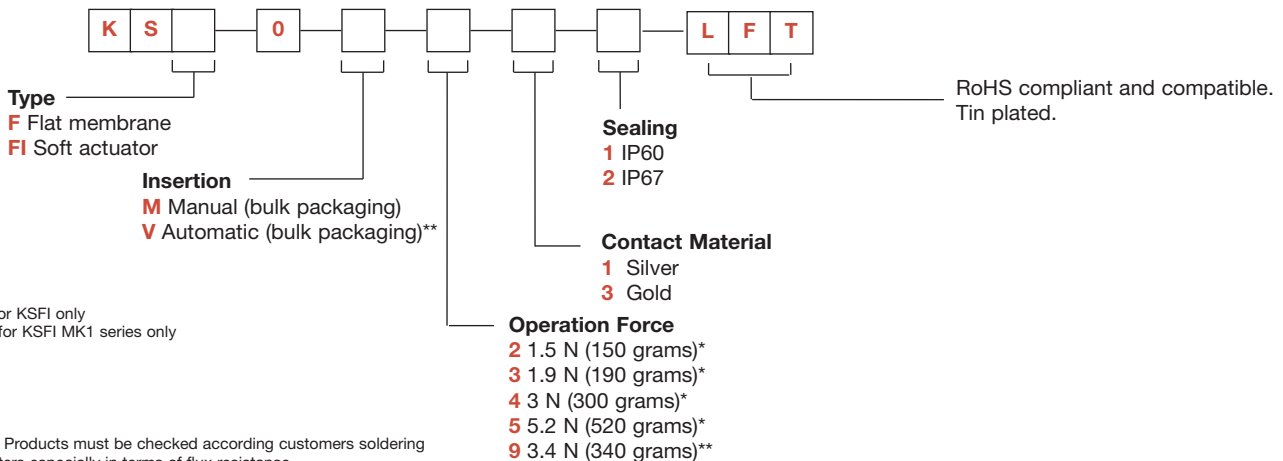
In boxes of 250 pieces (V type) or 500 pieces (M type).

How To Order

Our easy build-a-switch concept allows you to mix and match options to create the switch you need. To order, select desired option from each category and place it in the appropriate box.

However, please note that all the combinations of these options are not feasible.

For any part number different from those listed above, please consult your local representative.

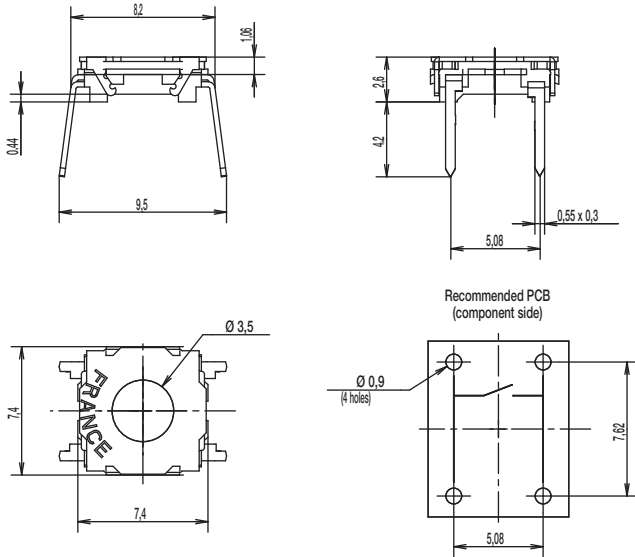


* valid for KSFI only
** valid for KSFI MK1 series only

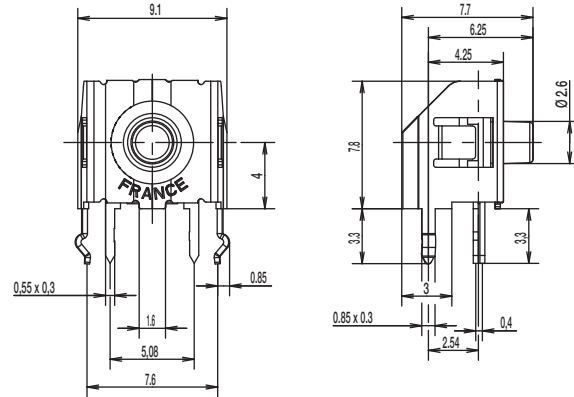
***NOTE:** Products must be checked according customers soldering parameters especially in terms of flux resistance.

KSF & KSFI Series Soft Actuated Tact Switch

KSF



KSFI 0V



B

Tactile Switches