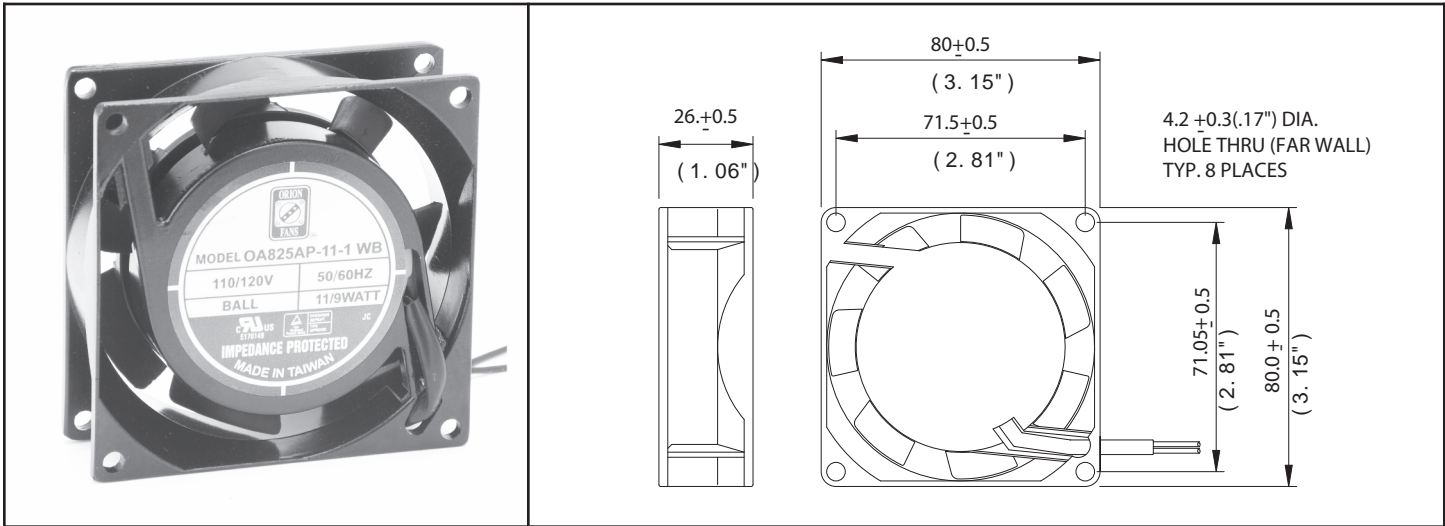


# OA825 Series



AC Fan - 115V, 230V  
80 x 25mm (3.15" x 1.0")



Frame	Diecast Aluminum	<u>Operating Temperature</u> Ball Bearing -20C ~ +80C Sleeve Bearing -10C ~ +50C Storage Temp -40C ~ +80C  <u>Life Expectancy</u> Ball Bearing 60,000 hours (L10 at 40C) Sleeve Bearing 30,000 hours (L10 at 40C)  Weight: ~ 0.57 lbs.  m0	
Impeller	PBT, UL94V-0 plastic		
Connection	2x Lead Wires 22 AWG or terminals		
Motor	Shaded pole, impedance protected		
Bearing System	Dual ball or Sleeve		
Insulation Resistance	>100M ohm between lead-wire and frame (500VDC)		
Dielectric Strength	1 min at 1500 VAC, 50/60Hz		

Model Number	Speed (RPM)	Airflow (CFM)	Noise (dB)	Volts AC	Voltage Range	Watts	Max. Static Pressure (\"H <sub>2</sub> O)
OA825AP-11-1 *	3000	25	28	115	80~130	9	.21
OA825AP-11-2 *	2300	18	24	115	80~130	6	.14
OA825AP-11-3 *	1900	16	19	115	80~130	4	.11
OA825AP-22-1 *	3000	25	28	230	160~260	9	.21
OA825AP-22-2 *	2300	18	24	230	160~260	6	.14
OA825AP-22-3 *	1900	16	19	230	160~260	4	.11

\* Indicate "TB" (Terminal Ball Bearing), "WB" (12" Wire Leads, Ball Bearing), "TS" (Terminal, Sleeve Bearing), "WS" (12" Wire Leads, Sleeve Bearing)