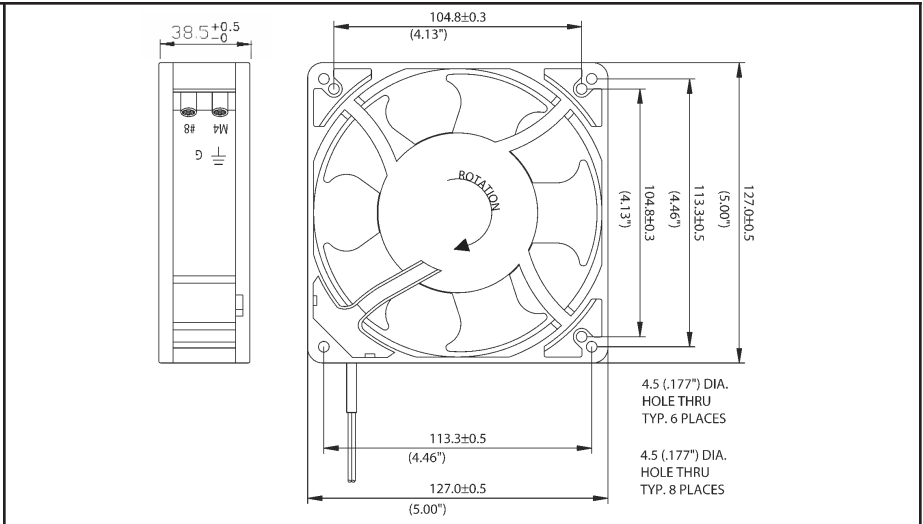


OD127AP Series



DC Fan - Aluminum Frame 12, 24, 48V
127x38.5mm (5.0"x 1.5")



Frame	Diecast Aluminum
Impeller	PBT, UL94V-0 plastic
Connection	2x Lead wires or terminals
Motor	Brushless DC, auto restart, polarity protected
Bearing System	Dual Ball bearing
Insulation Resistance	10M ohm between leadwire and frame (500VDC)
Dielectric Strength	1 minute at 500 VAC, max leakage < 500 MicroAmp
Storage Temperature	-40C ~ +80C

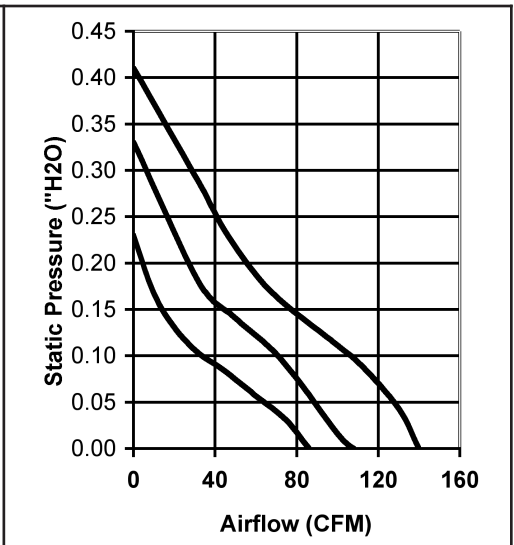
Available Options:
Tachometer (FG)
Alarm (RD)
Thermal Speed Control
PWM Input
Sleeve bearing

Life Expectancy (L10)
Ball - 60,000 hrs (45C)

Operating Temperature
Ball: -20 ~ +75C

Weight: ~0.93 lbs

m0



Model Number	Speed (RPM)	Airflow (CFM)	Noise (dB)	Volts DC	Voltage Range	Amps	Max. Static Pressure ("H ₂ O)
OD127AP-12HB	3200	140	46	12	9~13.8	0.88	0.41
OD127AP-12MB	2600	108	38	12	9~13.8	0.50	0.33
OD127AP-12LB	1900	86	30	12	9~13.8	0.20	0.23
OD127AP-24HB	3000	140	46	24	12~27.6	0.43	0.41
OD127AP-24MB	2600	108	38	24	12~27.6	0.23	0.33
OD127AP-24LB	1900	86	30	24	12~27.6	0.15	0.23
OD127AP-48HB	3200	140	46	48	26~56	0.22	0.41
OD127AP-48MB	2600	108	38	48	26~58	0.10	0.33
OD127AP-48LB	1900	86	30	48	26~60	0.07	0.23