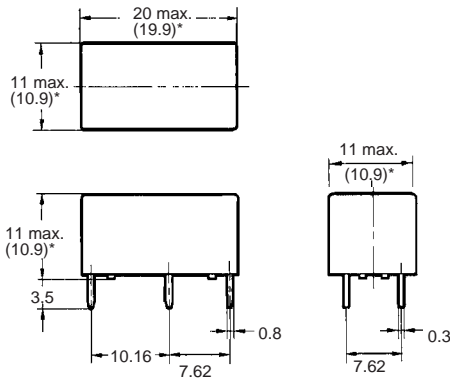
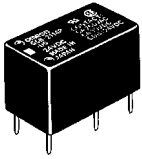
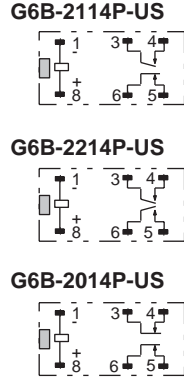


**G6B-2114P-US  
G6B-2214P-US  
G6B-2014P-US**

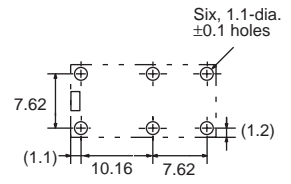


\*Average value

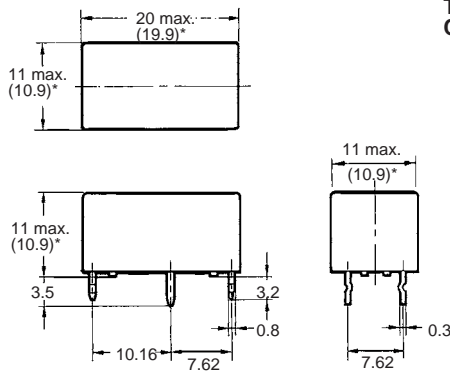
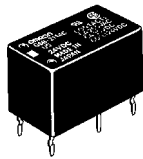
**Terminal Arrangement/Internal Connections (Bottom View)**



**Mounting Holes (Bottom View)**  
Tolerance:  $\pm 0.1$

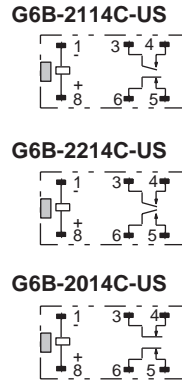


**G6B-2114C-US  
G6B-2214C-US  
G6B-2014C-US**

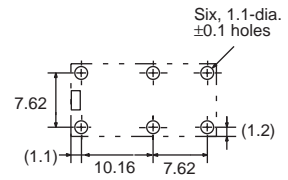


\*Average value

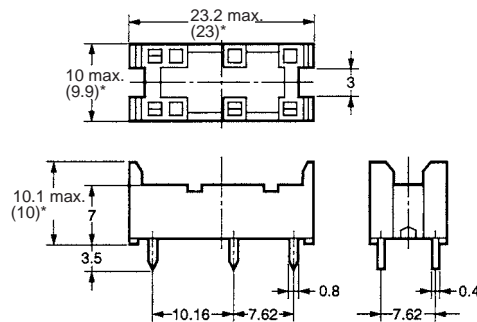
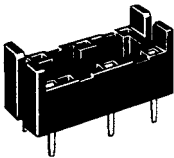
**Terminal Arrangement/Internal Connections (Bottom View)**



**Mounting Holes (Bottom View)**  
Tolerance:  $\pm 0.1$



**Back Connecting Socket  
P6B-04P**



\*Average value

**Mounting Holes (Bottom View)**

