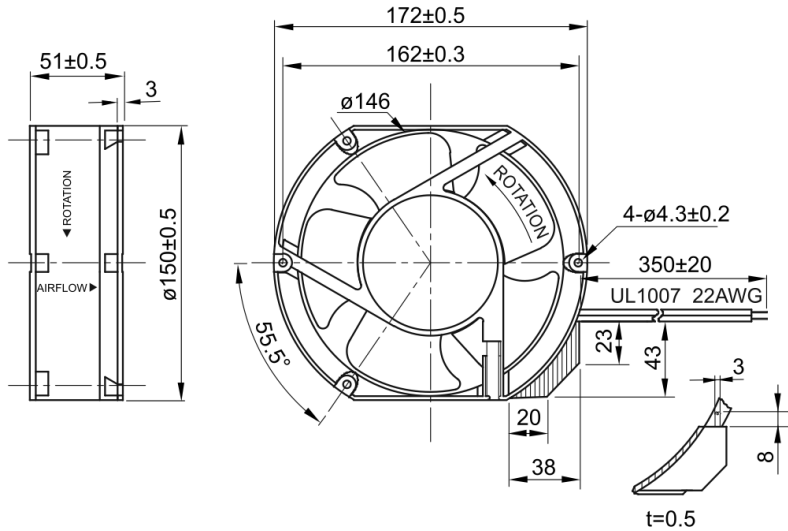


# OA172SAP Series - IP55



AC FAN - 115V , 230V  
172x150x51mm (6.7"x 5.9"x 2.0")



Frame	Diecast Aluminum	Operating Temperature -20C ~ +70C	
Impeller	PBT, UL94V-O plastic		
Connection	Terminals	Life Expectancy >40,000 hours (L10, 40C )	
Motor	AC Capacitor, Thermally protected, Class B Insulation	Rated IP55	
Bearing System	Dual ball bearing	Class B Insulation	
Insulation Resistance	>100M ohm between lead-wire and frame (500VDC)		
Dielectric Strength	1500V / 1 min	m2	

Model Number	OA172SAP-11-1TBIP55	OA172SAP-22-1TBIP55
Part Number	230315302	230615302
Nominal Voltage	115 VAC	230 VAC
Voltage Range	103 ~ 126 VAC	207 ~ 253 VAC
Rated Current	0.25 A	0.12 A
Locked Current	0.43 A	0.19 A
Rated Power	31 W	29 W
Rated Speed (RPM)	3400	3400
Airflow (CFM)	226	226
Noise Level (dB)	58	58
Max. Static Pressure (\" H <sub>2</sub> O)	0.79	0.79