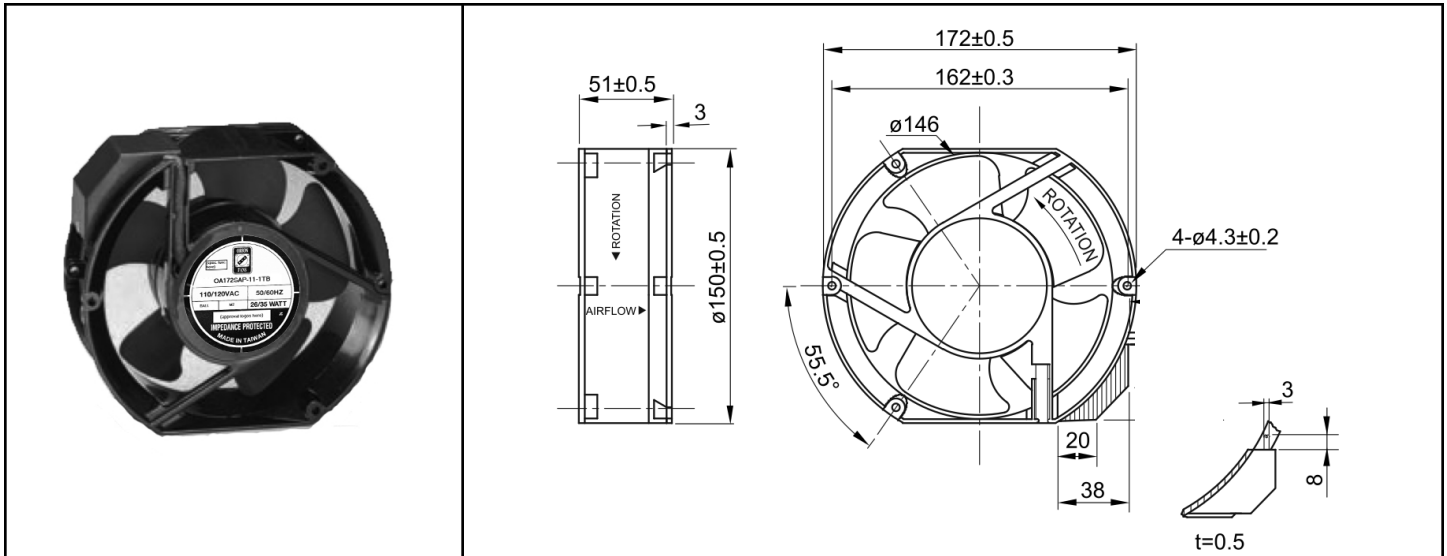


# OA172SAP Series



AC FAN - Salt Fog Rated  
172x150x51mm (6.7"x 5.9"x 2.0")



Frame	Diecast Aluminum	<u>Environmental Protection</u> SALT FOG RATED  <u>Operating Temperature</u> -20C ~ +70C  <u>Life Expectancy</u> >40,000 hours (L10, 40C )	
Impeller	PBT, UL94V-O plastic		
Connection	Terminals		
Motor	AC Capacitor drive, Thermally protected		
Bearing System	Dual ball bearing		
Insulation Resistance	>100M ohm between lead-wire and frame (500VDC)		
Dielectric Strength	1500V / 1 min		

Model Number	OA172SAP-11-1TB (SF)	OA172SAP-22-1TB (SF)
Part Number	230315562	230615562
Nominal Voltage	115 VAC	230 VAC
Voltage Range	103 ~ 126 VAC	207 ~ 253 VAC
Rated Current	0.25 A	0.12 A
Locked Current	0.43 A	0.19 A
Rated Power	31 W	29 W
Rated Speed (RPM)	3400	3400
Airflow (CFM)	226	226
Noise Level (dB)	58	58
Max. Static Pressure (\" H <sub>2</sub> O)	0.79	0.79