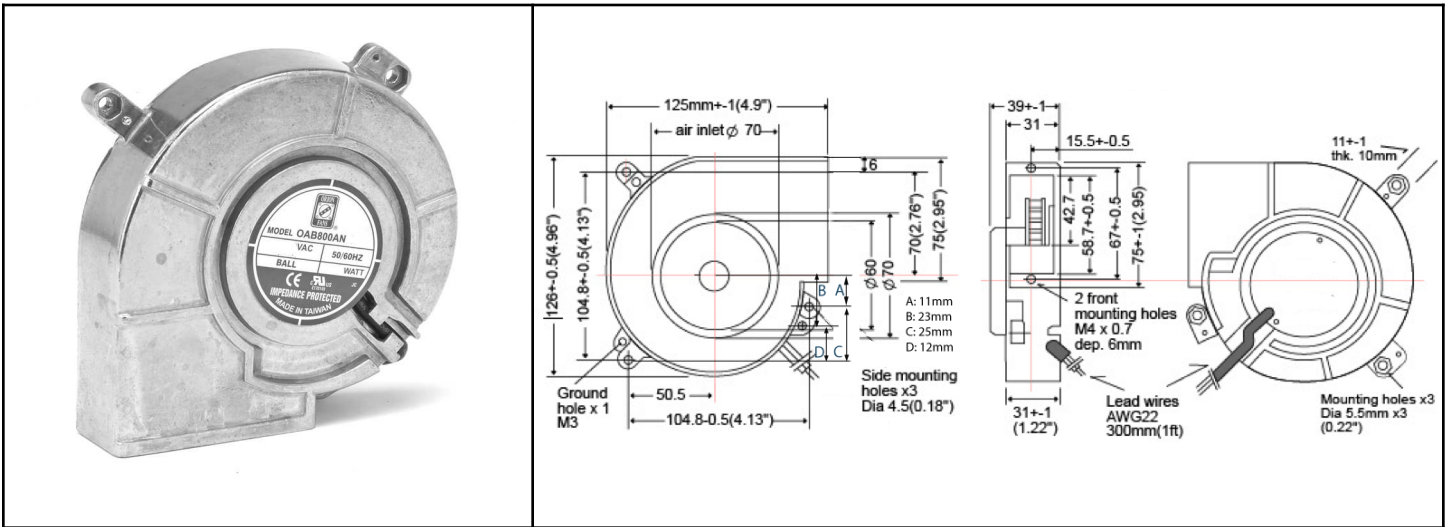


# OAB800AN Series



AC Blower, ball bearing  
125x126x39mm (4.9"x 5"x 1.5")



<b>Side Inlet Blower</b>		<p><b>Operating Temp:</b> Ambient non-condensing allowable thermal range -20C~+75C</p> <p><b>-L10 Life:</b> MTBF life test 85,000 hours at +45C, 40,000 hours at +60C</p> <p><b>-Dielectric Strength:</b> Over 1 min. at 1,500 VAC, 0.5mA, 50/60 Hz</p> <p><b>-Insulation Resistance:</b> Over 100 Mega Ohm at DC 500V</p>	
<b>Frame &amp; Impeller</b>	Aluminum die-cast shell with UL94V-0 impeller		
<b>Connection</b>	Lead Wires		
<b>Motor</b>	Shaded pole, inner rotor, single phase, impedance protected		
<b>Bearing System</b>	Dual ball - sealed		

	OAB800AN-11-2B	OAB800AN-22-2B
<b>Model Number</b>	OAB800AN-11-2B	OAB800AN-22-2B
<b>Part Number</b>	263321000	263621000
<b>Nominal Voltage</b>	115 VAC	230 VAC
<b>Voltage Range</b>	80 ~ 120	150 ~ 240
<b>Rated Power</b>	12 W	12 W
<b>Rated Speed (RPM)</b>	2100	2100
<b>Airflow (CFM)</b>	22	22
<b>Noise Level (dB)</b>	39	39
<b>Max. Static Pressure</b>	0.35 "H2O	0.35 "H2O