



OD3510 Series

DC Fan - 5V, 12V
35 x 10mm (1.38 x .39in)



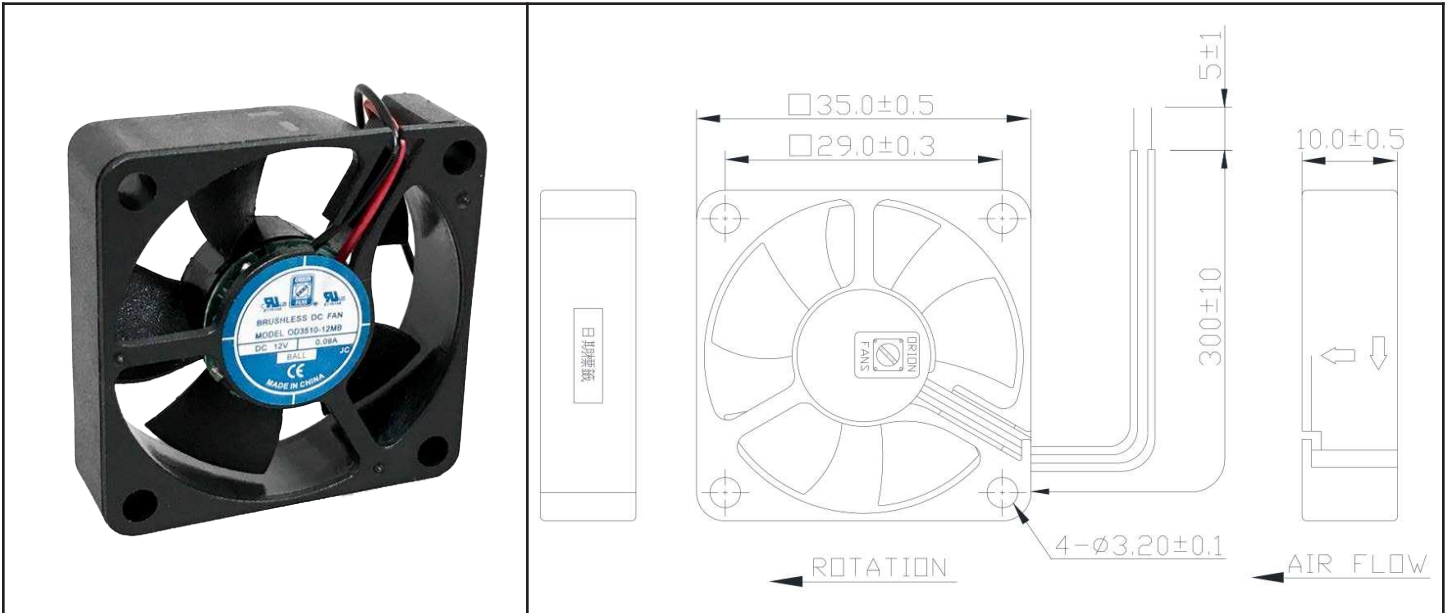
Model #	Pg #	Voltage	RPM	CFM	Noise Level	Max Static Pressure
OD3510-05LLB	2	5 VDC	4500	3.0	17 dB	.05 H ₂ O
OD3510-05MB	3	5 VDC	8000	6.0	32 dB	.17 H ₂ O
OD3510-05MB01A	4	5 VDC	8000	6.0	32 dB	.17 H ₂ O
OD3510-12LLB	5	12 VDC	4500	3.0	17 dB	.05 H ₂ O
OD3510-12MB	6	12 VDC	8000	6.0	32 dB	.17 H ₂ O
OD3510-12MB02A	7	12 VDC	8000	6.0	32 dB	.17 H ₂ O

**** For some models and part numbers, minimum order quantities may apply.**

OD3510-05LLB



DC Fan, 5 VDC
35x10mm (1.38x.39in)



Frame & Impeller	PBT, UL94V-0 plastic	Available Options IP55 Other speeds and voltages Tachometer Alarm *Connection: Wire Leads - UL1571 28AWG Red(+), Black (-) Weight: 9 g	
Connection	2x Lead wires *		
Motor	Brushless DC, auto restart, polarity protected.		
Bearing System	Dual ball bearing		
Insulation Resistance	Min. 10M at 500VDC		
Dielectric Strength	1 second at 500VAC max leakage 500 microamp		
Temperature Range	-10C ~ +70C		
Storage Temperature	-40C ~ +80C		
Life (L10)	70,000 hours (40C)		

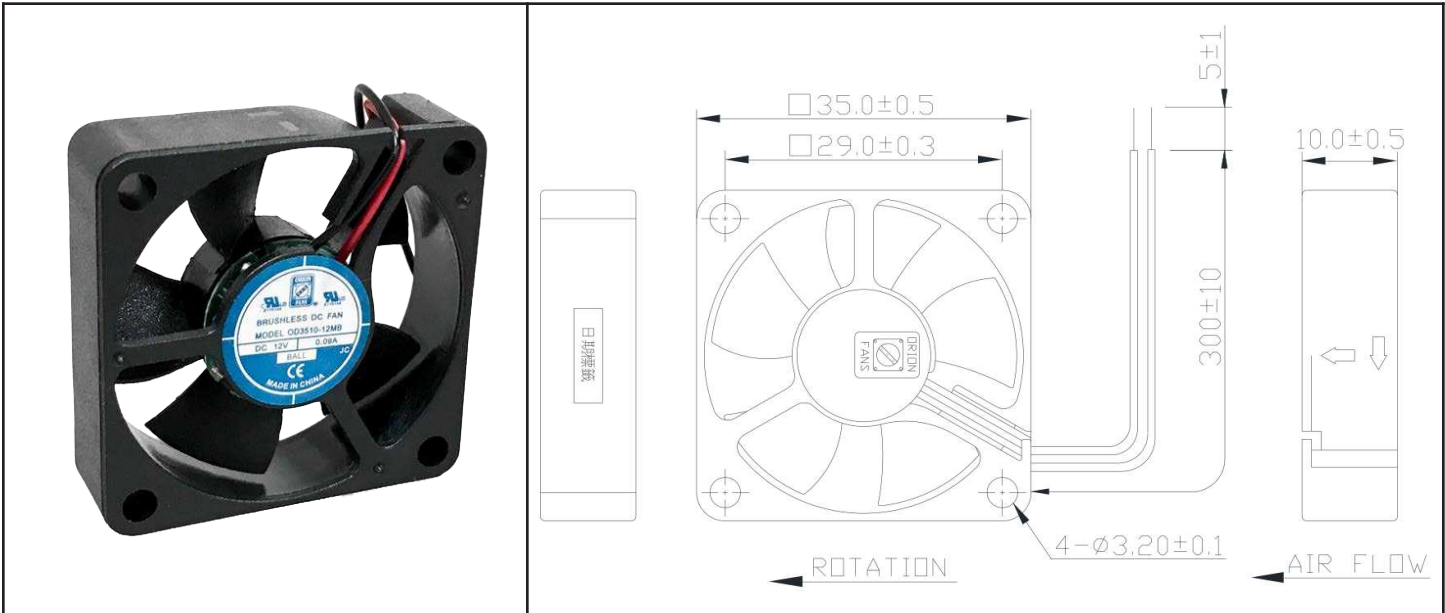
Model Number	OD3510-05LLB
Part Number	135511001
Nominal Voltage	5 VDC
Voltage Range	4 ~ 5.5 VDC
Nominal Current	.06 A
Rated Power	.3 Watts
Rated Speed (RPM)	4500
Airflow (CFM)	3
Noise Level (dB)	17
Max. Static Pressure	.05 "H ₂ O



OD3510-05MB



DC Fan, 5VDC
35x10mm (1.38x.39in)



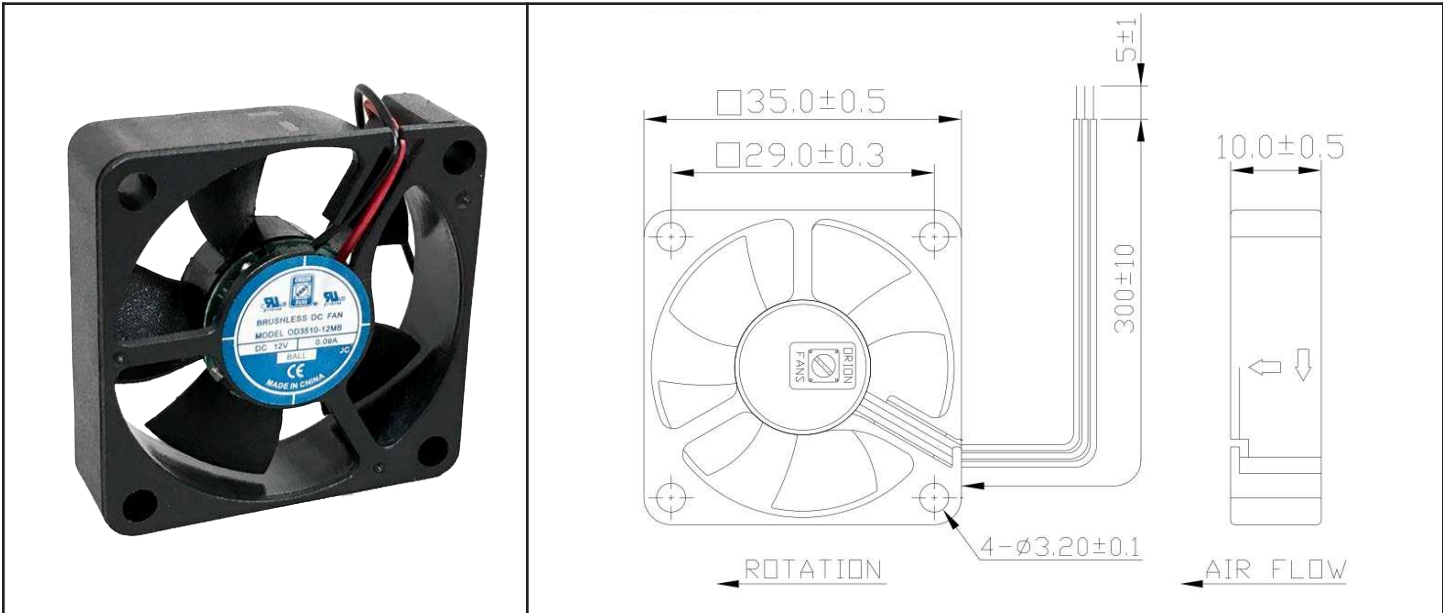
Frame & Impeller	PBT, UL94V-0 plastic	Available Options IP55 Other speeds and voltages Tachometer Alarm *Connection: Wire Leads - UL1571 28AWG Red(+), Black (-), Weight: 9 g	
Connection	2x Lead wires *		
Motor	Brushless DC, auto restart, polarity protected.		
Bearing System	Dual ball bearing		
Insulation Resistance	Min. 10M at 500VDC		
Dielectric Strength	1 second at 500VAC max leakage 500 microamp		
Temperature Range	-10C ~ +70C		
Storage Temperature	-40C ~ +80C		
Life (L10)	70,000 hours (40C)		

Model Number	OD3510-05MB
Part Number	135531001
Nominal Voltage	5 VDC
Voltage Range	4~5.5 VDC
Nominal Current	.075 A
Rated Power	.65 Watts
Rated Speed (RPM)	8000
Airflow (CFM)	6
Noise Level (dB)	32
Max. Static Pressure	.17 "H ₂ O

OD3510-05MB01A



DC Fan, 5VDC
35x10mm (1.38x.39in)



Frame & Impeller	PBT, UL94V-0 plastic	<u>Available Options</u> IP55 Other speeds and voltages Alarm *Connection: Wire Leads - UL1571 28AWG Red(+), Black (-), White Tachometer Weight: 9 g	
Connection	3x Lead wires *		
Motor	Brushless DC, auto restart, polarity protected.		
Bearing System	Dual ball bearing		
Insulation Resistance	Min. 10M at 500VDC		
Dielectric Strength	1 second at 500VAC max leakage 500 microamp		
Temperature Range	-10C ~ +70C		
Storage Temperature	-40C ~ +80C		
Life (L10)	70,000 hours (40C)		

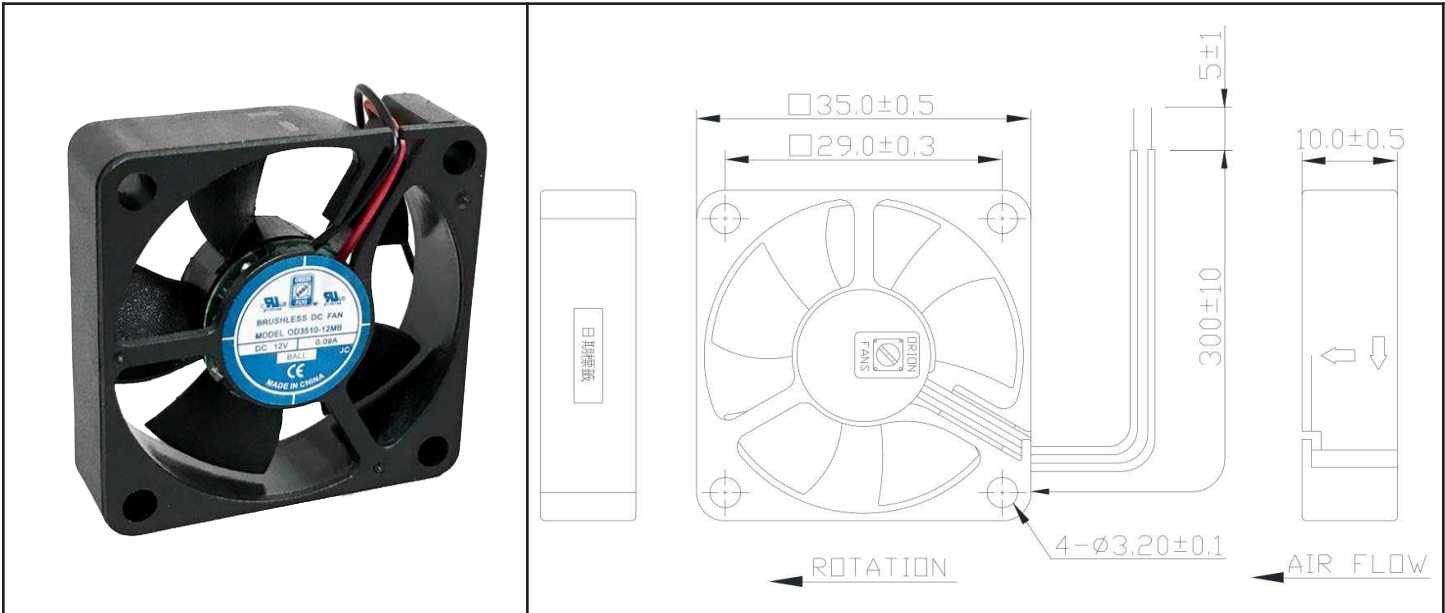
Model Number	OD3510-05MB01A
Part Number	135531221
Nominal Voltage	5 VDC
Voltage Range	4~5.5 VDC
Nominal Current	.075 A
Rated Power	.65 Watts
Rated Speed (RPM)	8000
Airflow (CFM)	6
Noise Level (dB)	32
Max. Static Pressure	.17 "H ₂ O



OD3510-12LLB



DC Fan, 12VDC
35x10mm (1.38x.39in)



Frame & Impeller	PBT, UL94V-0 plastic	Available Options IP55 Other speeds and voltages Tachometer Alarm *Connection: Wire Leads - UL1571 28AWG Red(+), Black (-) Weight: 9 g	
Connection	2x Lead wires *		
Motor	Brushless DC, auto restart, polarity protected.		
Bearing System	Dual ball bearing		
Insulation Resistance	Min. 10M at 500VDC		
Dielectric Strength	1 second at 500VAC max leakage 500 microamp		
Temperature Range	-10C ~ +70C		
Storage Temperature	-40C ~ +80C		
Life (L10)	70,000 hours (40C)		

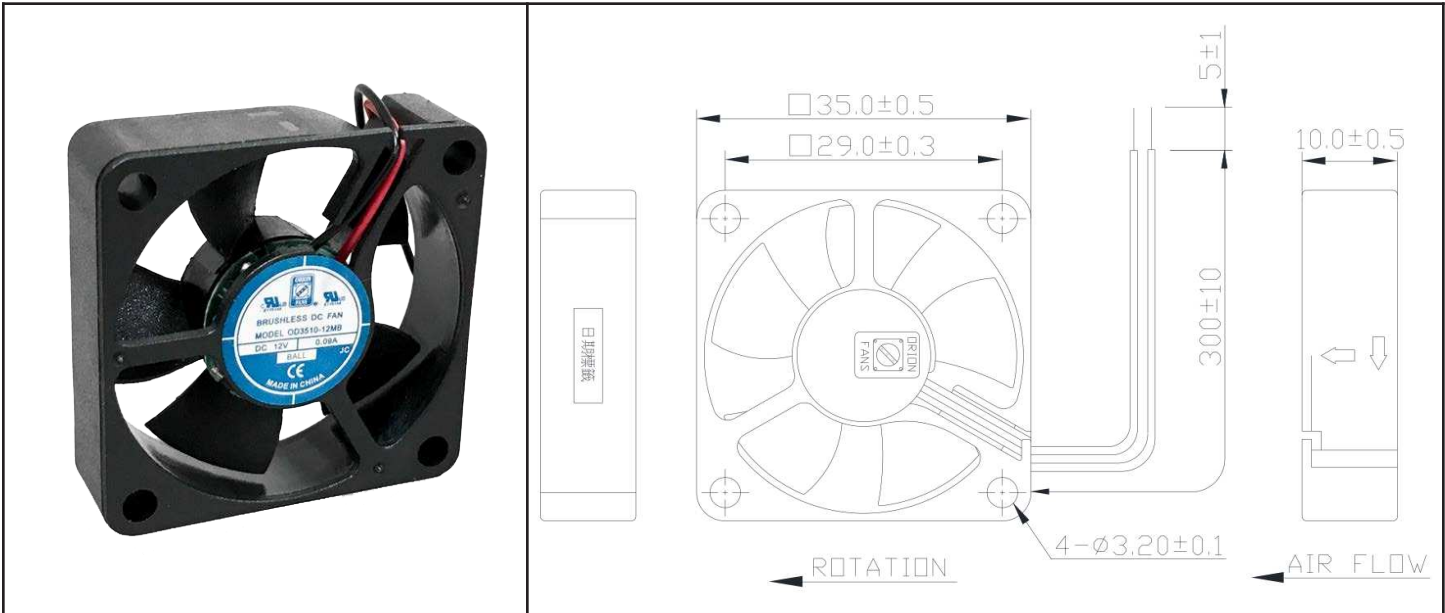
Model Number	OD3510-12LLB
Part Number	135111001
Nominal Voltage	12 VDC
Voltage Range	9~13.2 VDC
Nominal Current	.04 A
Rated Power	.60 Watts
Rated Speed (RPM)	4500
Airflow (CFM)	3
Noise Level (dB)	17
Max. Static Pressure	.05 "H ₂ O



OD3510-12MB



DC Fan, 12VDC
35x10mm (1.38x.39in)



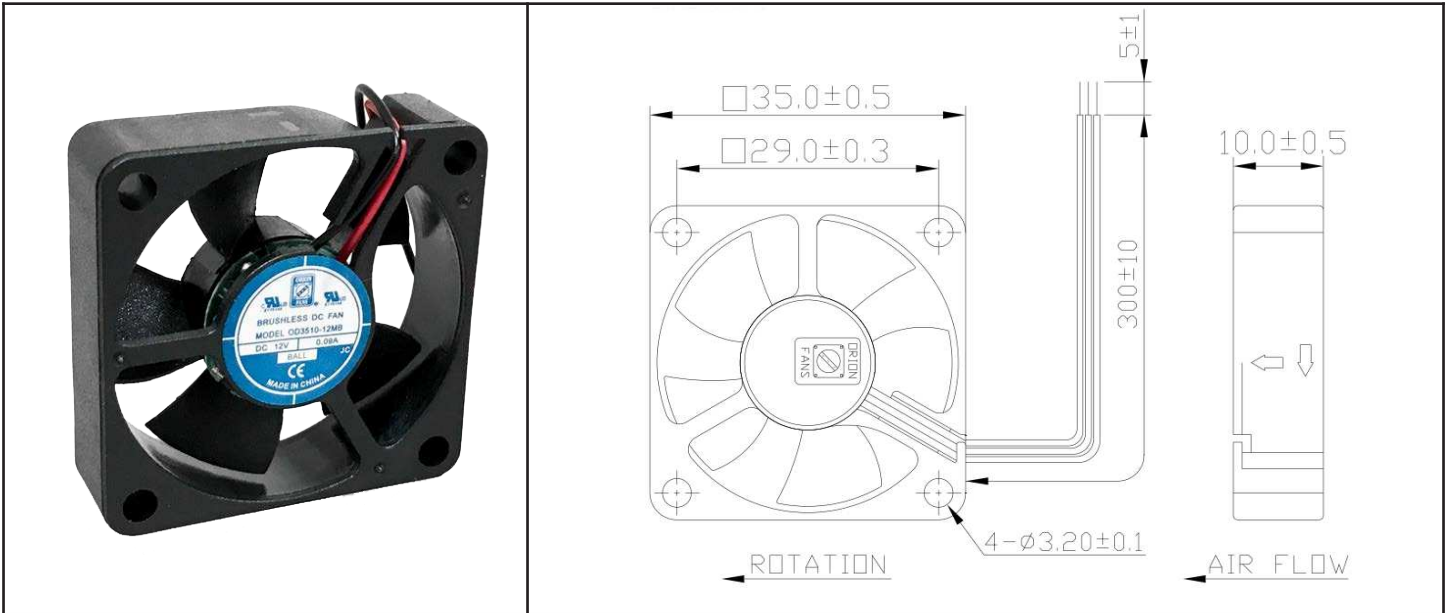
Frame & Impeller	PBT, UL94V-0 plastic	Available Options IP55 Other speeds and voltages Tachometer Alarm *Connection: Wire Leads - UL1571 28AWG Red(+), Black (-) Weight: 9 g	
Connection	2x Lead wires *		
Motor	Brushless DC, auto restart, polarity protected.		
Bearing System	Dual ball bearing		
Insulation Resistance	Min. 10M at 500VDC		
Dielectric Strength	1 second at 500VAC max leakage 500 microamp		
Temperature Range	-10C ~ +70C		
Storage Temperature	-40C ~ +80C		
Life (L10)	70,000 hours (40C)		

Model Number	OD3510-12MB
Part Number	135131001
Nominal Voltage	12 VDC
Voltage Range	9~13.2 VDC
Nominal Current	.06 A
Rated Power	1.08 Watts
Rated Speed (RPM)	8000
Airflow (CFM)	6
Noise Level (dB)	32
Max. Static Pressure	.17 "H ₂ O

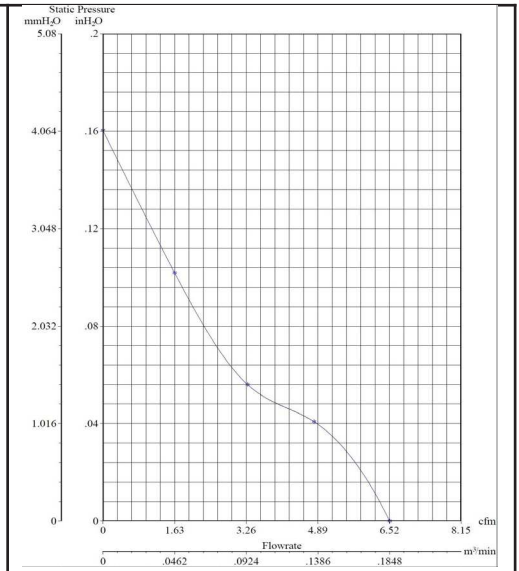
OD3510-12MB02A



DC Fan, 12VDC
35x10mm (1.38x.39in)



Frame & Impeller	PBT, UL94V-0 plastic	Available Options IP55 Other speeds and voltages Tachometer *Connection: Wire Leads - UL1571 28AWG Red(+), Black (-), Yellow Alarm Weight: 9 g
Connection	3x Lead wires *	
Motor	Brushless DC, auto restart, polarity protected.	
Bearing System	Dual ball bearing	
Insulation Resistance	Min. 10M at 500VDC	
Dielectric Strength	1 second at 500VAC max leakage 500 microamp	
Temperature Range	-10C ~ +70C	
Storage Temperature	-40C ~ +80C	
Life (L10)	70,000 hours (40C)	



Model Number	OD3510-12MB02A
Part Number	135131231
Nominal Voltage	12 VDC
Voltage Range	9~13.2 VDC
Nominal Current	.065 A
Rated Power	1.56 Watts
Rated Speed (RPM)	8000
Airflow (CFM)	6
Noise Level (dB)	32
Max. Static Pressure	.17 "H ₂ O

