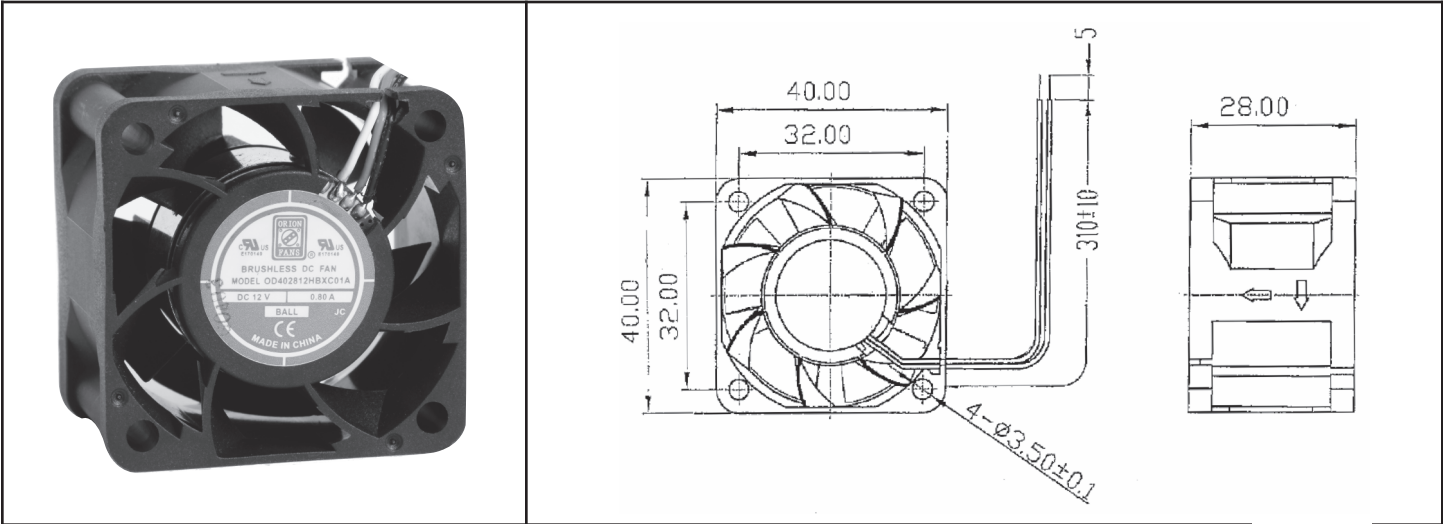


OD4028 - XC Series



DC Fan - 12V, High Speed
40x28mm (1.58" x 1.10")



Frame & Impeller	PBT, UL94V-0 plastic	Available Options: Tachometer Alarm PWM Life Expectancy (L10) 50,000 hours (40C) Weight: ~ 0.09 lbs m1	
Connection	2x Lead wires		
Motor	Brushless DC, auto restart, polarity protected.		
Bearing System	Dual ball bearing		
Insulation Resistance	Min. 10M at 500VDC		
Dielectric Strength	1 minute at 500 VAC, max leakage < 500 MicroAmp		
Temperature Range	-20C ~ +75C		
Storage Temperature	-40C ~ +80C		

Part Number	OD4028-12HB-XC
Nominal Voltage	12 VDC
Voltage Range	10.8 ~ 13.2 VDC
Nominal Current	0.8 A
Start-up Voltage	9.0 VDC
Rated Power	9.5 W
Rated Speed (RPM)	16,000
Airflow (CFM)	26.5
Noise Level (dB)	57
Max. Static Pressure	1.60" H ₂ O