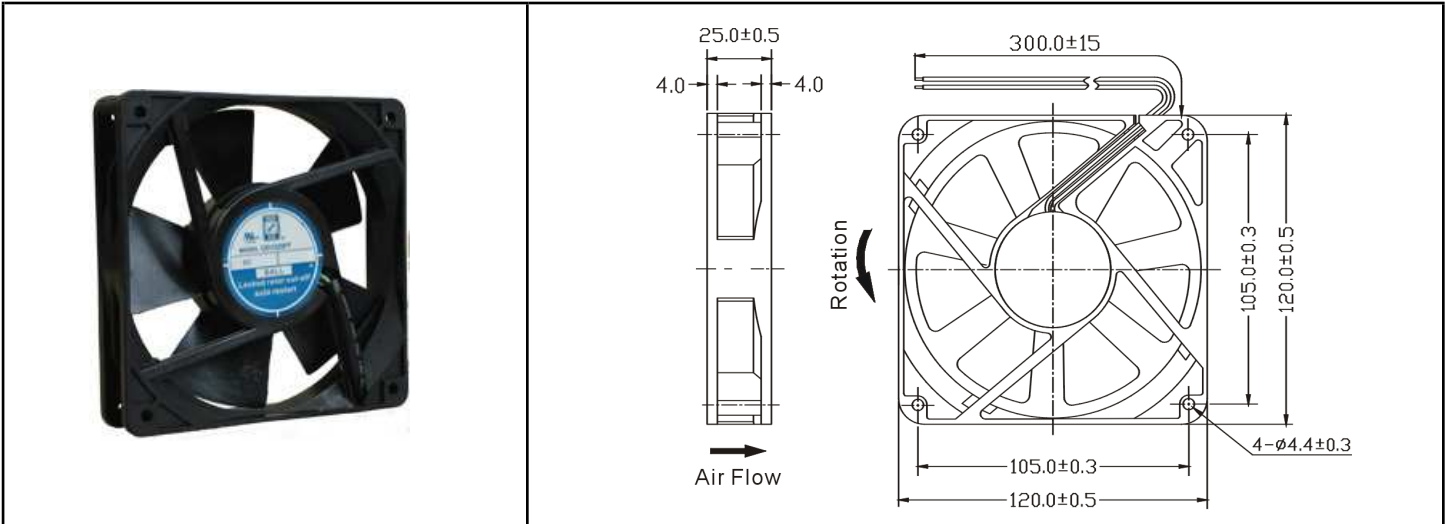


OD1225 Series



DC Fan - 48V
120x25mm (4.7"x 1.0")



Frame & Impeller	PBT, UL94V-O plastic	Available Options: Tachometer (FG) Alarm (RD)	<p>The graph plots Static Pressure ("H2O) on the y-axis (0.00 to 0.25) against Airflow (CFM) on the x-axis (0 to 90). Three curves are shown, representing different bearing types: Ball Bearing (top curve), Sleeve Bearing (middle curve), and another bearing type (bottom curve). All curves show a decrease in static pressure as airflow increases.</p>
Connection	2x Lead wires or Terminals		
Motor	Brushless DC, auto restart, polarity protected	<u>Life Expectancy (L10)</u> Ball Bearing 60,000 hours (L10 at 40C) Sleeve Bearing 30,000 hours (L10 at 40C)	
Bearing System	Dual Ball or Sleeve	<u>Operating Temperature</u> Ball Bearing -15C ~ +65C Sleeve Bearing -10C ~ +50C	
Insulation Resistance	10M ohm between leadwire and frame (500VDC)	m0	
Dielectric Strength	1 second at 500 VAC, max leakage - 500 MicroAmp		
Storage Temperature	-25C ~ +80C		

Model Number	Speed (RPM)	Airflow (CFM)	Noise (dB)	Volts DC	Voltage Range	Amps	Max. Static Pressure ("H2O)
OD1225-48H *	3000	86	42	48	22~ 55	0.09	0.24
OD1225-48M *	2500	70	35	48	22~ 55	0.07	0.19
OD1225-48L *	1800	45	25	48	22~ 55	0.06	0.15

* Apply one of the following suffices to indicate preferred power connection and bearing type: "TB" (Terminal, Ball Bearing) or "B" (12" Wire Leads, Ball Bearing) or "TS" (Terminal, Sleeve Bearing) or "S" (12" Wire Leads, Sleeve Bearing)

10557 Metric Drive
Dallas, Texas 75243

OrionFans.com
Information and data is subject to change without prior notification.

RoHS Compliant

