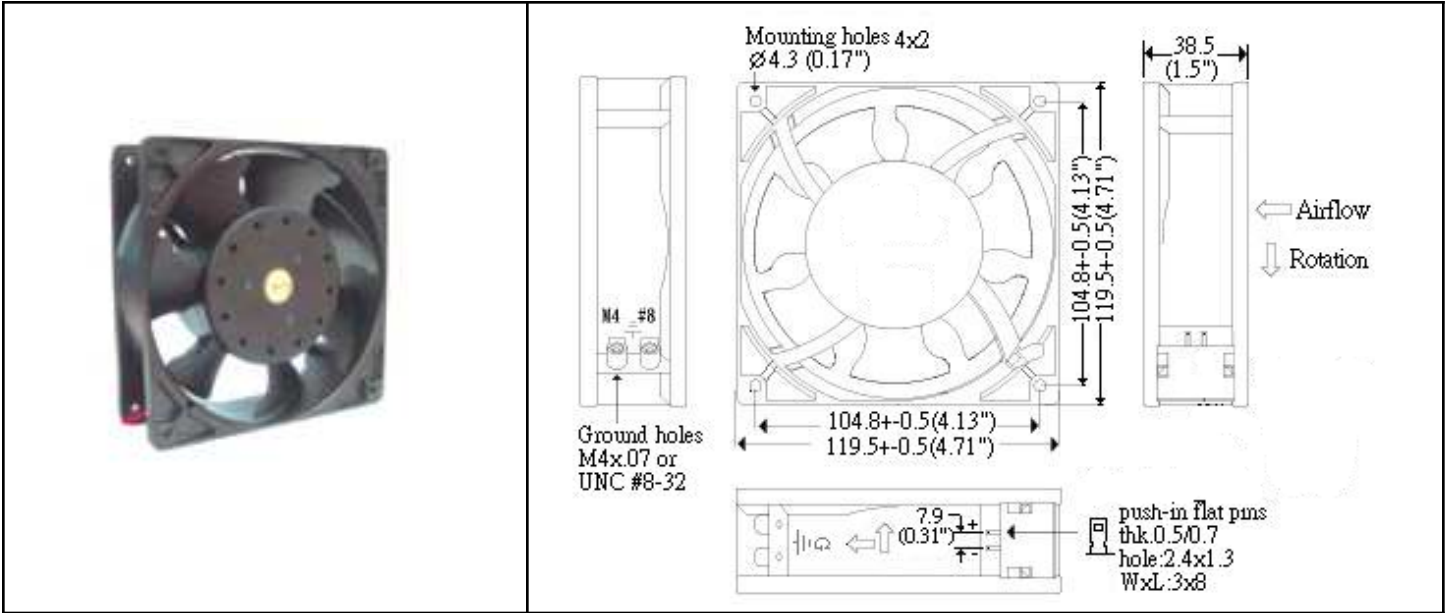


OD1238AP Series



DC Fan - Metal Frame
120x38mm (4.7"x 1.5")



Frame	Diecast Aluminum (Black)	Available Options: Tachometer Alarm PWM Lead Wires Metal Impeller UL No.: E170149	
Impeller	PBT, UL94V-O plastic		
Connection	Terminals		
Motor	Brushless DC, auto restart, polarity protected		
Bearing System	Dual ball bearing		
Insulation Resistance	10M ohm between leadwire and frame (500VDC)		
Dielectric Strength	1 second at 500 VAC, max leakage - 500 MicroAmp		
Temperature Range	-15C ~ +65C		
Life (L10)	65,000 hours (45C)		

Model Number	Speed (RPM)	Airflow (CFM)	Noise (dB)	Volts DC	Input Power (Watts)	Amps	Max. Static Pressure (\"H2O)
OD1238AP-12HTB	3400	135	46	12	10.6	0.88	0.45
OD1238AP-12MTB	2800	108	41	12	6.0	0.50	0.37
OD1238AP-12LTB	1950	70	25	12	2.4	0.20	0.25
OD1238AP-24HTB	3600	140	48	24	10.3	0.43	0.48
OD1238AP-24MTB	3000	118	43	24	5.5	0.23	0.40
OD1238AP-24LTB	1950	70	25	24	3.6	0.15	0.25
OD1238AP-48HTB	3600	140	48	48	10.6	0.22	0.48
OD1238AP-48MTB	3000	118	43	48	5.0	0.10	0.28
OD1238AP-48LTB	1950	70	25	48	3.4	0.07	0.25