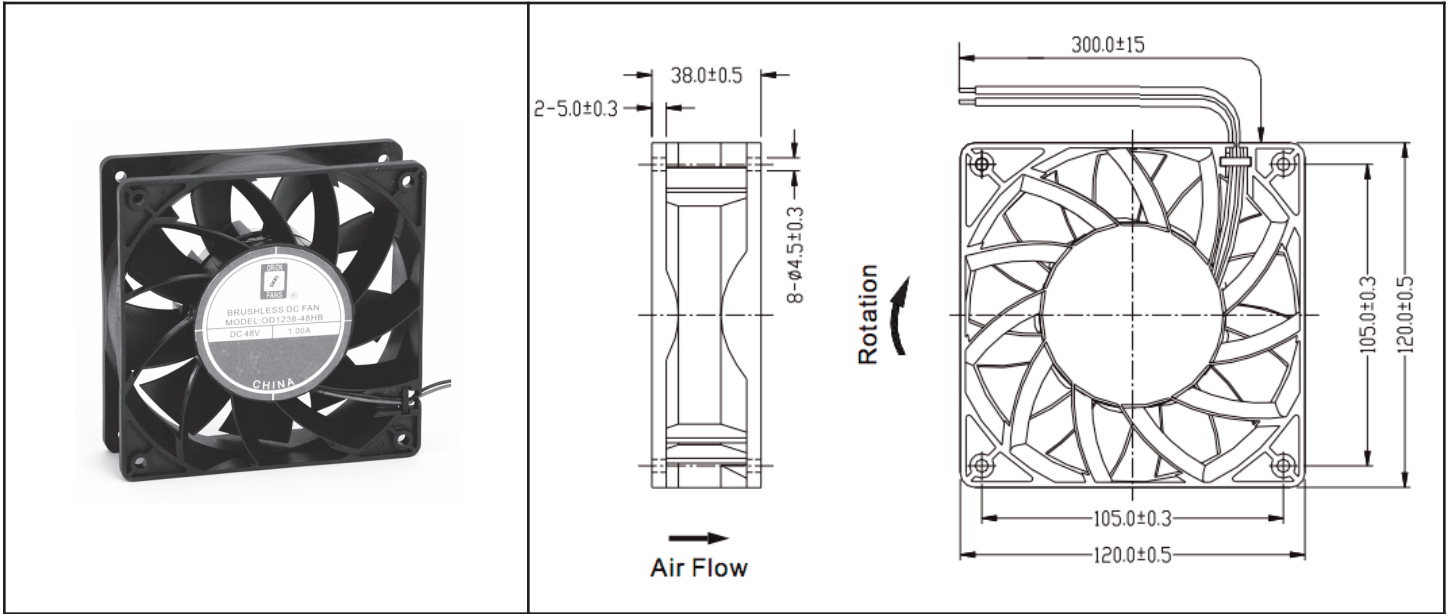


# OD1238 VA Series DC Fan Vane Axial High Pressure



High Performance DC Fan 12, 24, 48V  
120x38mm (4.7"x 1.5")



<b>Frame &amp; Impeller</b>	PBT, UL94V-0 plastic	<b>Available Options:</b> Tachometer Alarm Thermal Speed Control PWM IP55 Salt Fog  Life Expectancy (L10) 65,000 hours (45C)  Weight: ~0.78 lbs  m4	
<b>Connection</b>	2x Lead wires 24AWG		
<b>Motor</b>	Brushless DC, auto restart, polarity protected		
<b>Bearing System</b>	Dual ball bearing		
<b>Insulation Resistance</b>	10M ohm between leadwire and frame (500VDC)		
<b>Dielectric Strength</b>	1 minute at 500 VAC, max leakage < 500 MicroAmp		
<b>Temperature Range</b>	-20C ~ +75C		
<b>Storage Temperature</b>	-40C ~ +80C		

Model Number	Speed (RPM)	Airflow (CFM)	Noise (dB)	Volts DC	Voltage Range	Amps	Max. Static Pressure (H <sub>2</sub> O)
OD1238-12HB-VXC	5000	226	65	12	6~14	3.6	1.35
OD1238-12MB-VXC	4000	189	59	12	6~14	2.0	0.85
OD1238-12LB-VXC	3000	140	52	12	6~14	1.5	0.46
OD1238-24HB-VXC	5000	226	65	24	12~28	1.7	1.35
OD1238-24MB-VXC	4000	189	59	24	12~28	1.1	0.85
OD1238-24LB-VXC	3000	140	52	24	12~28	0.6	0.46
OD1238-48HHB-VXC	6000	283	70	48	24~55	1.3	1.85
OD1238-48HB-VXC	5000	226	65	48	24~55	1.0	1.35
OD1238-48MB-VXC	4000	189	59	48	24~55	0.6	0.85
OD1238-48LB-VXC	3000	140	52	48	24~55	0.4	0.46