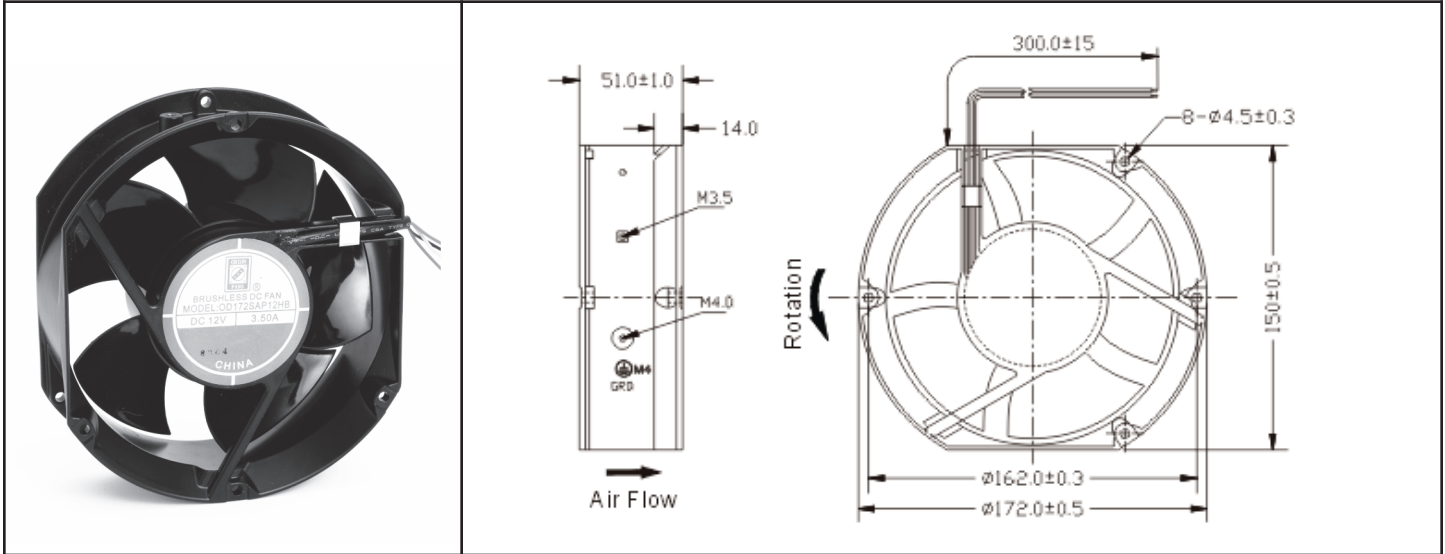


# OD172S XC Series



DC Fan - High Performance 12, 24 48V  
172x150x51mm (6.7"x 5.9"x 2.0")



Frame	Diecast Aluminum	<b>Available Options:</b> Alarm Tachometer PWM  m4	
Impeller	PBT, UL94V-2 plastic		
Connection	2x Lead wires, AWG22		
Motor	Brushless DC, auto restart, polarity protected		
Bearing System	Dual ball bearing		
Insulation Resistance	10M ohm between leadwire and frame (500VDC)		
Dielectric Strength	1 minute at 500 VAC, max leakage < 500 MicroAmp		
Temperature Range	-20C ~ +75C		
Life (L10)	65,000 hours (45C)		
Weight	~1.63 lbs		
Storage Temperature	-40C ~ +80C		

Model Number	Speed (RPM)	Airflow (CFM)	Noise (dB)	Volts DC	Voltage Range	Amps	Max. Static Pressure ("H <sub>2</sub> O)
OD172SAP-12HBXC	3900	277	62	12	9~14	3.50	1.14
OD172SAP-12MBXC	3400	232	59	12	9~14	2.40	0.92
OD172SAP-24HBXC	4600	307	67	24	12~28	2.30	1.60
OD172SAP-48HBXC	4600	307	67	48	24~55	1.20	1.60