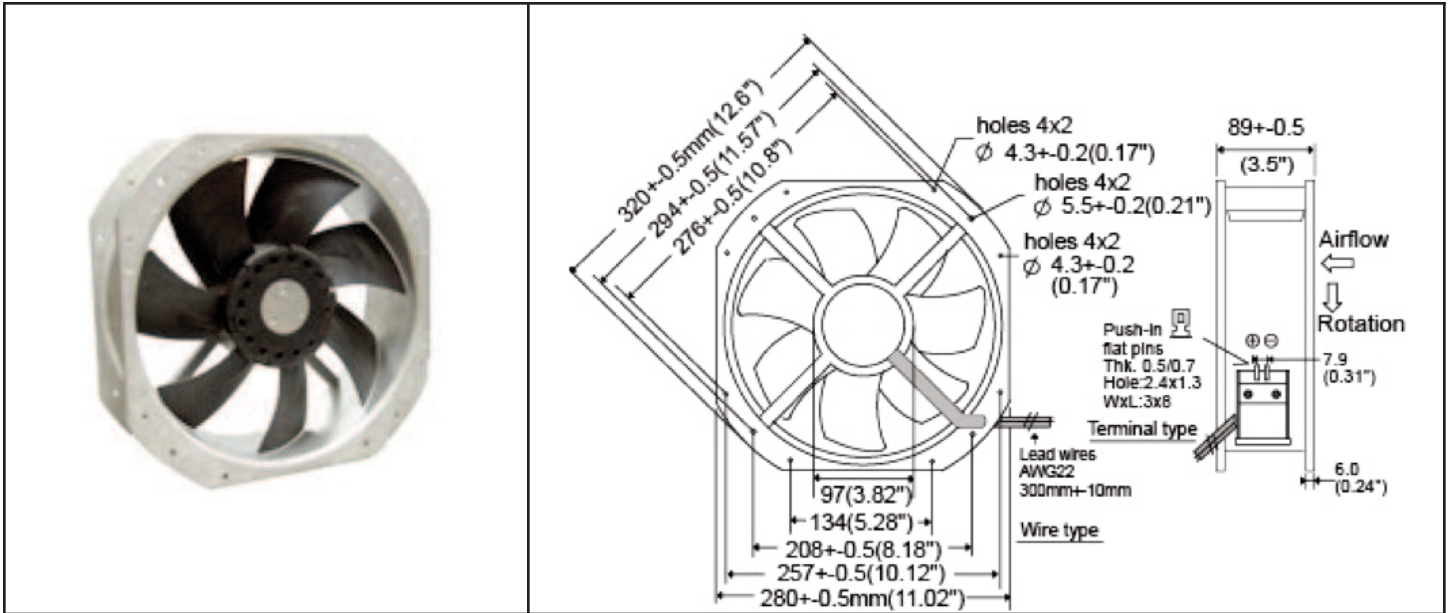


OD280 Series



DC Fan - 12, 24, 48V
280x89mm (11.0"x 3.5")



Frame	Diecast Aluminum	Available Options: PWM Tachometer Alarm Thermistor Operating Temperature Ball Bearing -15C ~ +65C Life Expectancy Ball Bearing 85,000 hours (L10 at 35C) Weight: ~6.8 lbs. m0	
Impeller	Glass Fiber reinforced thermoplastic.		
Connection	Terminals or lead wires		
Motor	Programmable microprocessor control Brushless DC, Locked rotor and polarity protected.		
Bearing System	Dual ball		
Storage Temperature	-25 ~ +80C		
Dielectric Strength	1 minute at 500 VAC, max leakage < 500 MicroAmp		

Model Number	Speed (RPM)	Airflow (CFM)	Noise (dB)	Volts DC	Voltage Range	Watts	Max. Static Pressure (\"H2O)
OD280-12HB	2550	1200	72	12	9 ~ 13.5	135	0.90
OD280-12MB	2200	950	56	12	9 ~ 13.5	90	0.65
OD280-12LB	1800	780	48	12	9 ~ 13.5	62	0.55
OD280-24HB	2550	1200	72	24	18 ~ 27	135	0.90
OD280-24MB	2200	950	56	24	18 ~ 27	90	0.65
OD280-24LB	1800	780	48	24	18 ~ 27	62	0.55
OD280-48HB	2550	1200	72	48	24 ~ 55	135	0.90
OD280-48MB	2200	950	56	48	24 ~ 55	90	0.65
OD280-48LB	1800	780	48	48	24 ~ 55	62	0.55