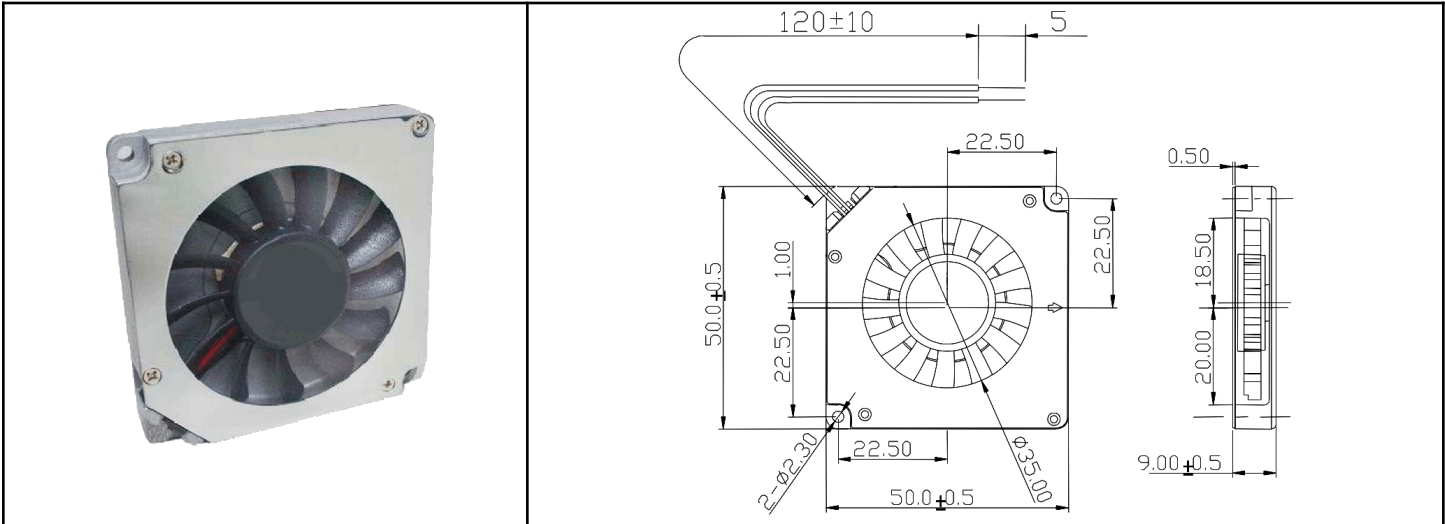


# ODB5009 Series



Side Inlet DC Blower  
50 x 50 x 09mm



|                       |   |  |  |
|-----------------------|---|--|--|
| Frame & Impeller      | PBT, UL94V-O plastic                            | <b>Available Options:</b><br><br>Additional speeds and volt-ages are available<br><br>IP55 Environmental protec-tion available by special order. |  |
| Connection            | 2x Lead wires                                   |  |  |
| Motor                 | Brushless DC, auto restart, polarity protected  |  |  |
| Bearing System        | ball bearing                                    |  |  |
| Insulation Resistance | 10M ohm between leadwire and frame (500VDC)     |  |  |
| Dielectric Strength   | 1 second at 500 VAC, max leakage - 500 MicroAmp |  |  |
| Temperature Range     | -10C ~ +70C                                     |  |  |
| Life (L10)            | 50,000 hours (45C)                              |  |  |

| Model Number         | ODB5009-05HB | ODB5009-12HB |
|----------------------|--------------|--------------|
| Part Number          | 102541001    | 102141001    |
| Nominal Voltage      | 5 VDC        | 12 VDC       |
| Nominal Current      | 0.10 A       | 0.11 A       |
| Rated Power          | 0.5 W        | 0.7 W        |
| Rated Speed (RPM)    | 5000         | 5000         |
| Airflow (CFM)        | 3            | 3            |
| Noise Level (dB)     | 34           | 34           |
| Max. Static Pressure | 0.31" H2O    | 0.31" H2O    |