

OA300ST Short Tray



Environment Responsive Smart Fan Tray 432 x 203 x 44.5mm

The OA300ST smart fan tray saves energy cost by sensing its environment and adjusting its performance

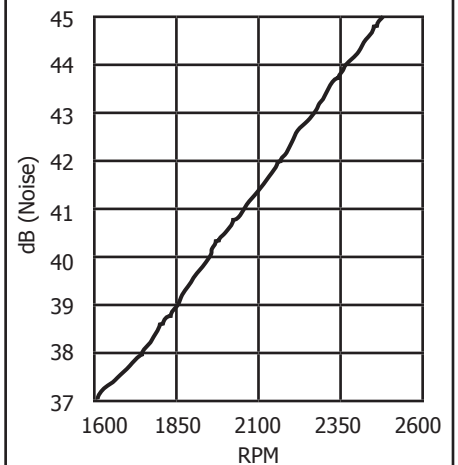
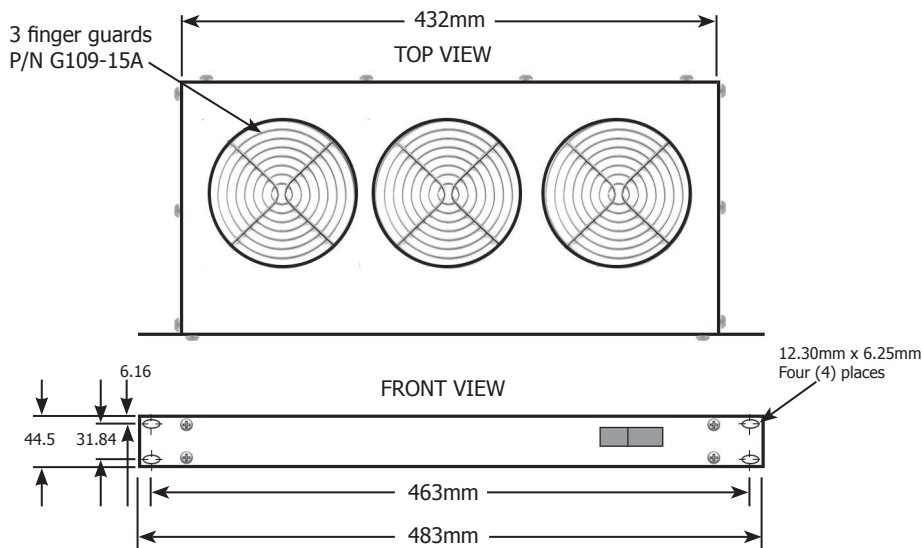
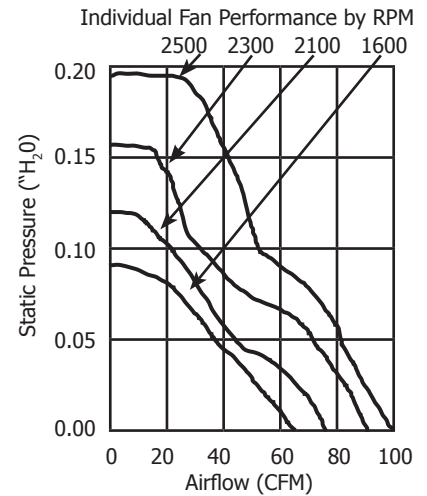
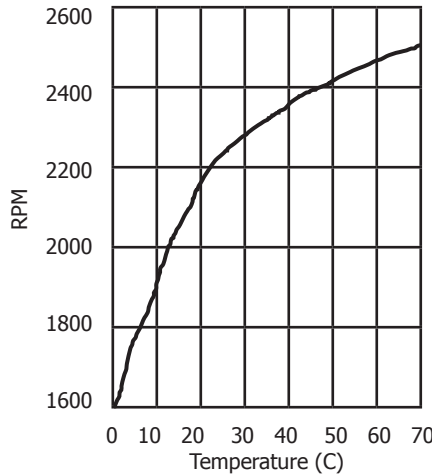
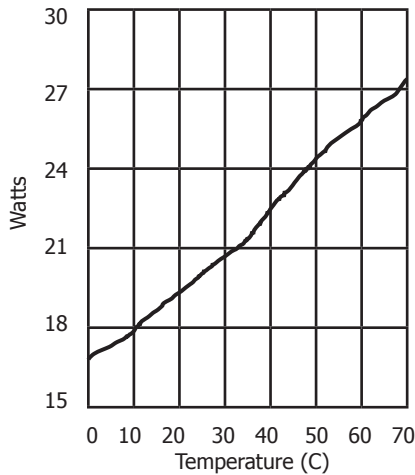
Modular power cord is resettable circuit breaker, and lighted rocker.

Speed: 1600 ~ 2500 RPM
Air Flow: 190 ~ 300

Slides easily into any standard 19" rack

115V, 230V AC available

600,000 hour life expectancy



Low noise
Low power consumption
Ultra low speed operation

OPTIONS

Automatic thermal control, hub mounted or lead mounted
Manual speed control

Part Number	Description:
OA300ST-12003	120VAC, hub-mounted thermistor
OA300ST-12004	120VAC, remote, detachable thermistor
OA300ST-23003	230VAC, hub-mounted thermistor
OA300ST-23004	230VAC, remote, detachable thermistor