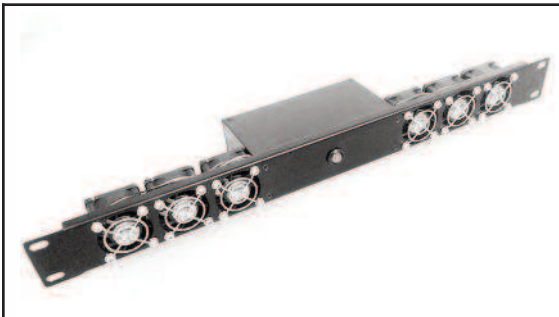
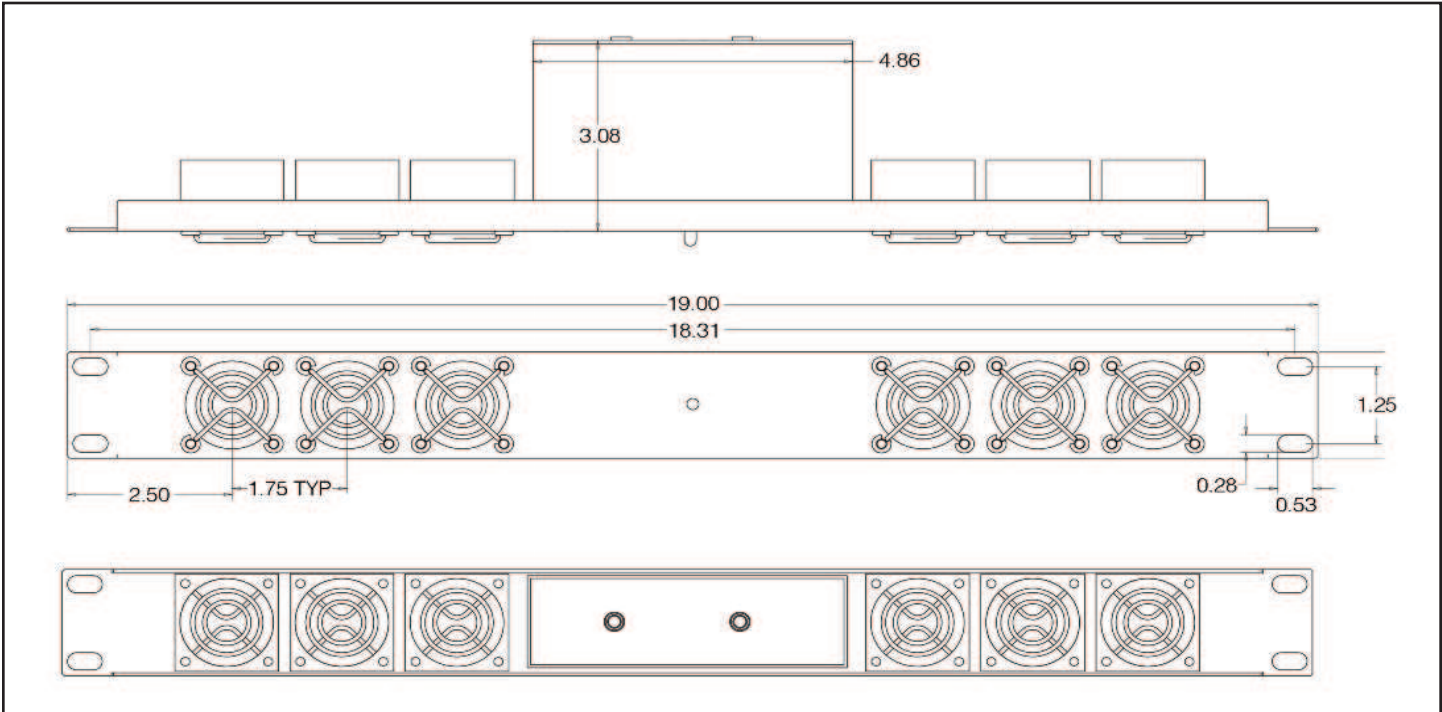


# OA406 Fan Tray



# Universal Input 90 - 264VAC



Switching AC/DC Adaptor - 12V  
 Output Power: 60 Watts (Max load 5 A)  
 Operating Temperature: -10C - +50C  
 Storage Temperature: -40 ~ +85C

<p><b>Description</b></p>	<ul style="list-style-type: none"> <li>• Universal 90-264VAC Input external power supply</li> <li>• 1U high, panel mount configuration</li> <li>• Either N. American NEMA 5-15P or IEC320-C14 connection</li> <li>• High Airflow 160CFM</li> <li>• Bi-color LED alarm indicator lamp</li> <li>• Optional redundant 2nd power supply available</li> <li>• Redundant power switching is seamless and automatic</li> <li>• Redundant power input may be from customers 12VDC supply</li> <li>• Sturdy 16 Ga Powder Coated Steel Construction</li> </ul>
<p><b>Part Numbers</b></p>	<p>OA406: Power Input NEMA 5-15 plug              OA406-IEC: C14 power supply plug              OA406-DUAL: With redundant power supply              OA406-IEC-DUAL: With redundant power supply, international version              OA406-PS: Add-on power supply. Converts OA406 to DUAL              OA406-IEC-PS: Add-on power supply. International version</p>