



NPN BDX53 – BDX53A – BDX53B – BDX53C

SILICON POWER DARLINGTON TRANSISTORS

The BDX53, BDX53A, BDX53B and BDX53C are silicon epitaxial-base NPN transistors in monolithic Darlington configuration and are mounted in Jedec TO-220 plastic package. They are intended for use in audio amplifiers, medium power linear and switching applications. The complementary PNP types are the BDX54, BDX54A, BDX54B and BDX54C respectively. Compliance to RoHS.

ABSOLUTE MAXIMUM RATINGS

Symbol	Ratings		Value	Unit	
V_{CEO}	Collector-Emitter Voltage	$I_B=0$	BDX53	45	V
			BDX53A	60	
			BDX53B	80	
			BDX53C	100	
V_{CBO}	Collector-Base Voltage	$I_E=0$	BDX53	45	V
			BDX53A	60	
			BDX53B	80	
			BDX53C	100	
V_{EBO}	Emitter-Base Voltage	$I_C=0$	5	V	
I_C	Collector Current	$I_{C(RMS)}$	8	A	
		I_{CM}	12		
I_B	Base Current		0.2	A	
P_T	Power Dissipation	@ $T_C = 25^\circ$	60	W	
T_J	Junction Temperature		150	°C	
T_S	Storage Temperature		-65 to +150		

THERMAL CHARACTERISTICS

Symbol	Ratings	Value	Unit
R_{thJ-C}	Thermal Resistance, Junction to Case	2.08	°C/W

NPN BDX53 – BDX53A – BDX53B – BDX53C

ELECTRICAL CHARACTERISTICS

TC=25°C unless otherwise noted

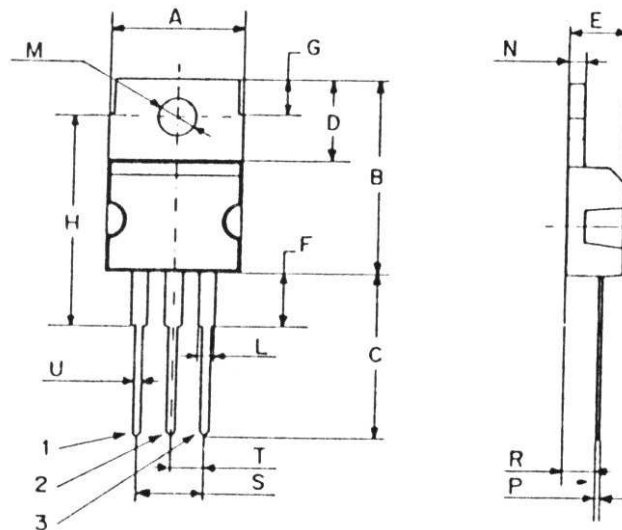
Symbol	Ratings	Test Condition(s)	Min	Typ	Max	Unit	
$V_{CE(SUS)}$	Collector-Emitter Breakdown Voltage (*)	$I_C=100\text{ mA}$ $I_B = 0$	BDX53	45	-	-	V
			BDX53A	60	-	-	
			BDX53B	80	-	-	
			BDX53C	100	-	-	
I_{CEO}	Collector Cutoff Current	$V_{CB}=22\text{V}, I_B = 0$ $V_{CB}=30\text{V}, I_B = 0$ $V_{CB}=40\text{V}, I_B = 0$ $V_{CB}=50\text{V}, I_B = 0$	BDX53	-	-	0.5	mA
			BDX53A	-	-		
			BDX53B	-	-		
			BDX53C	-	-		
I_{EBO}	Emitter Cutoff Current	$V_{BE}=5\text{ V}$	BDX53	-	-	2	mA
			BDX53A				
			BDX53B				
			BDX53C				
I_{CBO}	Collector-Base Cutoff Current	$V_{CBO}=45\text{ V}, I_E = 0$ $V_{CBO}=60\text{ V}, I_E = 0$ $V_{CBO}=80\text{ V}, I_E = 0$ $V_{CBO}=100\text{ V}, I_E = 0$	BDX53	-	-	0.2	mA
			BDX53A	-	-		
			BDX53B	-	-		
			BDX53C	-	-		
$V_{CE(SAT)}$	Collector-Emitter saturation Voltage (*)	$I_C=3\text{ A}, I_B=12\text{ mA}$	BDX53	-	-	2	V
			BDX53A				
			BDX53B				
			BDX53C				
$V_{BE(SAT)}$	Base-Emitter saturation Voltage (*)	$I_C=3\text{ A}, I_B=12\text{ mA}$	BDX53	-	-	2.5	V
			BDX53A				
			BDX53B				
			BDX53C				
V_F	Forward Voltage (pulse method)	$I_F=3\text{ A}$	BDX53	-	-	4.0	V
			BDX53A				
			BDX53B				
			BDX53C				
		$I_F=8\text{ A}$	BDX53	-	1.8	2.5	V
			BDX53A	-	2.5	-	
h_{FE}	DC Current Gain (*)	$V_{CE}=3\text{ V}, I_C=3\text{ A}$	BDX53	750	-	-	-
			BDX53A				
			BDX53B				
			BDX53C				

(*) Pulse Width $\approx 300\ \mu\text{s}$, Duty Cycle $\angle 1.5\%$

NPN BDX53 – BDX53A – BDX53B – BDX53C

MECHANICAL DATA CASE TO-220

DIMENSIONS (mm)		
	Min.	Max.
A	9,90	10,30
B	15,65	15,90
C	13,20	13,40
D	6,45	6,65
E	4,30	4,50
F	2,70	3,15
G	2,60	3,00
H	15,75	17,15
L	1,15	1,40
M	3,50	3,70
N	-	1,37
P	0,46	0,55
R	2,50	2,70
S	4,98	5,08
T	2,49	2,54
U	0,70	0,90



Pin 1 :	Base
Pin 2 :	Collector
Pin 3 :	Emitter
Case :	Collector

Revised Decemberr 2012

Information furnished is believed to be accurate and reliable. However, Comset Semiconductors assumes no responsibility for the consequences of use of such information nor for any infringement of patents or other rights of third parties which may results from its use. Data are subject to change without notice. Comset Semiconductors makes no warranty, representation or guarantee regarding the suitability of its products for any particular purpose, nor does Comset Semiconductors assume any liability arising out of the application or use of any product and specifically disclaims any and all liability, including without limitation consequential or incidental damages. Comset Semiconductors' products are not authorized for use as critical components in life support devices or systems.