



## 2N6282 – 2N6283 – 2N6284

### NPN SILICON DARLINGTON POWER TRANSISTOR

The 2N6282, 2N6283 and 2N6284 are mounted in TO-3 metal package. They are designed for use in general-purpose amplifier and low-frequency switching applications.

The complementary PNP are 2N6285, 2N6286, 2N6287  
Compliance to RoHS.

#### ABSOLUTE MAXIMUM RATINGS

Symbol	Ratings		Value	Unit
$V_{CEO}$	Collector-Emitter Voltage ( $I_B=0$ )	2N6282	60	V
		2N6283	80	
		2N6284	100	
$V_{CBO}$	Collector-Base Voltage ( $I_E=0$ )	2N6282	60	V
		2N6283	80	
		2N6284	100	
$V_{EBO}$	Emitter-Base Voltage ( $I_C=0$ )	2N6282	5	V
		2N6283		
		2N6284		
$I_C$	Collector Current	2N6282	20	A
		2N6283		
		2N6284		
$I_{CM}$	Collector Peak Current	2N6282	40	A
		2N6283		
		2N6284		
$I_B$	Base Current	2N6282	0.5	A
		2N6283		
		2N6284		
$P_T$	Power Dissipation	@ $T_C = 25^\circ$	160	W/°C
		2N6282		
		2N6283		
$T_J$	Junction Temperature	2N6282	200	°C
		2N6283		
		2N6284		
$T_S$	Storage Temperature	2N6282	-65 to +200	°C
		2N6283		
		2N6284		

## 2N6282 – 2N6283 – 2N6284

### THERMAL CHARACTERISTICS

Symbol	Ratings	Value	Unit
$R_{thJ-C}$	Thermal Resistance Junction-Case	1.09	°C/W

### ELECTRICAL CHARACTERISTICS

TC=25°C unless otherwise noted

Symbol	Ratings	Test Condition(s)	Min	Typ	Max	Unit					
$V_{CE0(SUS)}$	Collector-Emitter Breakdown Voltage (*)	$I_C = 200 \text{ mA}$ $I_B = 0$	2N6282	60	-	-	V				
			2N6283	80	-	-					
			2N6284	100	-	-					
$I_{CEO}$	Collector Cutoff Current	$V_{CE} = 30 \text{ V}, I_B = 0$	2N6282	-	-	1	mA				
		$V_{CE} = 40 \text{ V}, I_B = 0$	2N6283								
		$V_{CE} = 50 \text{ V}, I_B = 0$	2N6284								
$I_{EBO}$	Emitter Cutoff Current	$V_{BE} = 5 \text{ V}, I_C = 0$	2N6282	-	-	2	mA				
			2N6283								
			2N6284								
$I_{CEX}$	Collector Cutoff Current	$V_{CE} = 60 \text{ V}, V_{BE} = -1.5 \text{ V}$	2N6282	-	-	500	$\mu\text{A}$				
		$V_{CE} = 80 \text{ V}, V_{BE} = -1.5 \text{ V}$	2N6283								
		$V_{CE} = 100 \text{ V}, V_{BE} = -1.5 \text{ V}$	2N6284								
		$V_{CE} = 60 \text{ V}, V_{BE} = -1.5 \text{ V}$ $T_C = 150^\circ\text{C}$	2N6282					-	-	5	mA
		$V_{CE} = 80 \text{ V}, V_{BE} = -1.5 \text{ V}$ $T_C = 150^\circ\text{C}$	2N6283								
		$V_{CE} = 100 \text{ V}, V_{BE} = -1.5 \text{ V}$ $T_C = 150^\circ\text{C}$	2N6284								
$V_{CE(SAT)}$	Collector-Emitter saturation Voltage (*)	$I_C = 10 \text{ A}, I_B = 40 \text{ mA}$	2N6282	-	-	2	V				
			2N6283								
			2N6284								
$V_{CE(SAT)}$	Collector-Emitter saturation Voltage (*)	$I_C = 20 \text{ A}, I_B = 200 \text{ mA}$	2N6282	-	-	3	V				
			2N6283								
			2N6284								
$V_{BE(SAT)}$	Base-Emitter saturation Voltage (*)	$I_C = 20 \text{ A}, I_B = 200 \text{ mA}$	2N6282	-	-	4	V				
			2N6283								
			2N6284								
$V_{BE}$	Base-Emitter Voltage (*)	$V_{CE} = 3 \text{ V}, I_C = 10 \text{ A}$	2N6282	-	-	2,8	V				
			2N6283								
			2N6284								

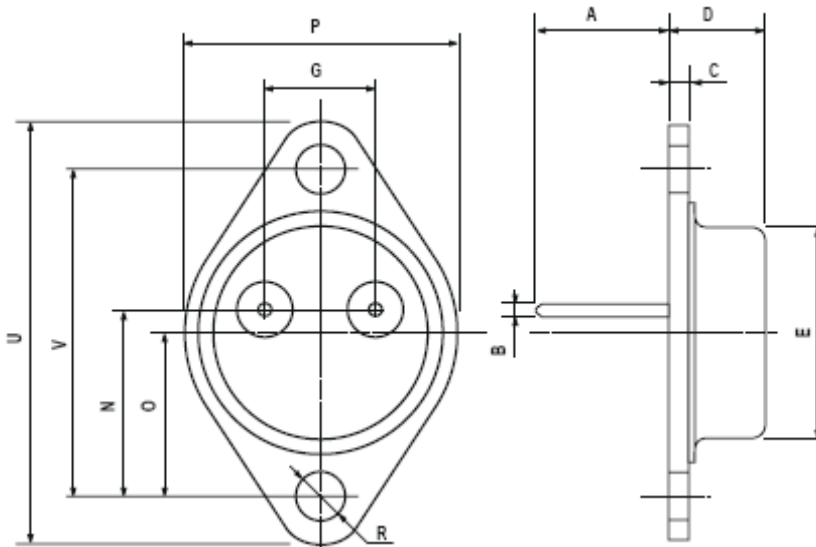
## 2N6282 – 2N6283 – 2N6284

Symbol	Ratings	Test Condition(s)	Min	Typ	Max	Unit	
$h_{FE}$	DC Current Gain (*)	$V_{CE} = 3\text{ V}, I_C = 10\text{ A}$	2N6282	750	-	18000	-
			2N6283				
			2N6284				
		$V_{CE} = 3\text{ V}, I_C = 20\text{ A}$	2N6282	100	-	-	
			2N6283				
			2N6284				
$C_{OB}$	Output Capacitance	$I_E = 0\text{ A}, V_{CB} = 10\text{ V}$ $f = 1\text{ MHz}$	2N6282	-	-	400	pF
			2N6283				
			2N6284				

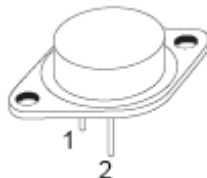
(\*) Pulse Width  $\approx 300\ \mu\text{s}$ , Duty Cycle  $\leq 2.0\%$

### MECHANICAL DATA CASE TO-3

DIMENSIONS (mm)		
	min	max
A	11	13.10
B	0.97	1.15
C	1.5	1.65
D	8.32	8.92
F	19	20
G	10.70	11.1
N	16.50	17.20
P	25	26
R	4	4.09
U	38.50	39.30
V	30	30.30



Pin 1 :	Base
Pin 2 :	Emitter
Case :	Collector



Revised August 2012

Information furnished is believed to be accurate and reliable. However, Comset Semiconductors assumes no responsibility for the consequences of use of such information nor for any infringement of patents or other rights of third parties which may result from its use. Data are subject to change without notice. Comset Semiconductors makes no warranty, representation or guarantee regarding the suitability of its products for any particular purpose, nor does Comset Semiconductors assume any liability arising out of the application or use of any product and specifically disclaims any and all liability, including without limitation consequential or incidental damages. Comset Semiconductors' products are not authorized for use as critical components in life support devices or systems.