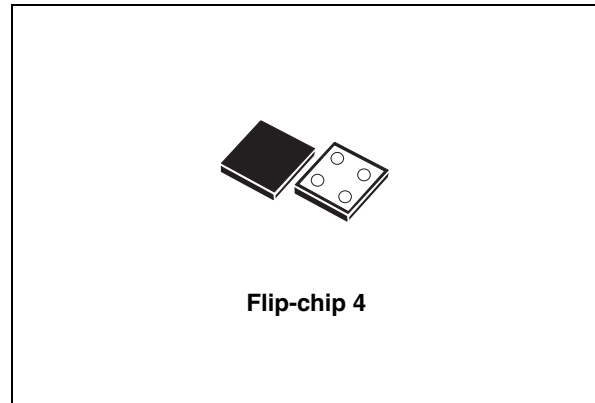


150 mA low quiescent current low noise voltage regulator

Datasheet – production data

Features

- Input voltage from 1.5 to 5.5 V
- Ultra low dropout voltage (90 mV typ. at 100 mA load)
- Very low quiescent current (20 μ A typ. at no load, 35 μ A typ. at 150 mA load, 1 μ A max in off mode)
- Low noise (54 μ V_{RMS} from 10 Hz to 100 kHz at V_{OUT} = 1.8 V)
- Output voltage tolerance: \pm 2.0% @ 25 °C
- 150 mA guaranteed output current
- Wide range of output voltages available on request: 0.8 V to 4.5 V with 100 mV step
- Logic-controlled electronic shutdown
- Compatible with ceramic capacitor C_{OUT} = 1 μ F
- Internal current and thermal limit
- Flip-chip 4 bumps 1.1 x 1.1 mm.
- Temperature range: -40 °C to 125 °C



kHz. Enable logic control function puts the LD39015Jxx in shut-down mode allowing a total current consumption lower than 1 μ A. The device also includes a short-circuit constant current limiting and thermal protection. Typical applications are mobile phones, personal digital assistant (PDAs), cordless phone and similar battery powered systems.

Description

The LD39015Jxx provides 150 mA maximum current from an input voltage ranging from 1.5 V to 5.5 V with a typical dropout voltage of 80 mV. It is stable with ceramic capacitor. The ultra low drop-voltage, low quiescent current and low noise features make it suitable for low power battery powered applications. Power supply rejection is 74 dB at low frequencies and starts to roll off at 10

Table 1. Device summary

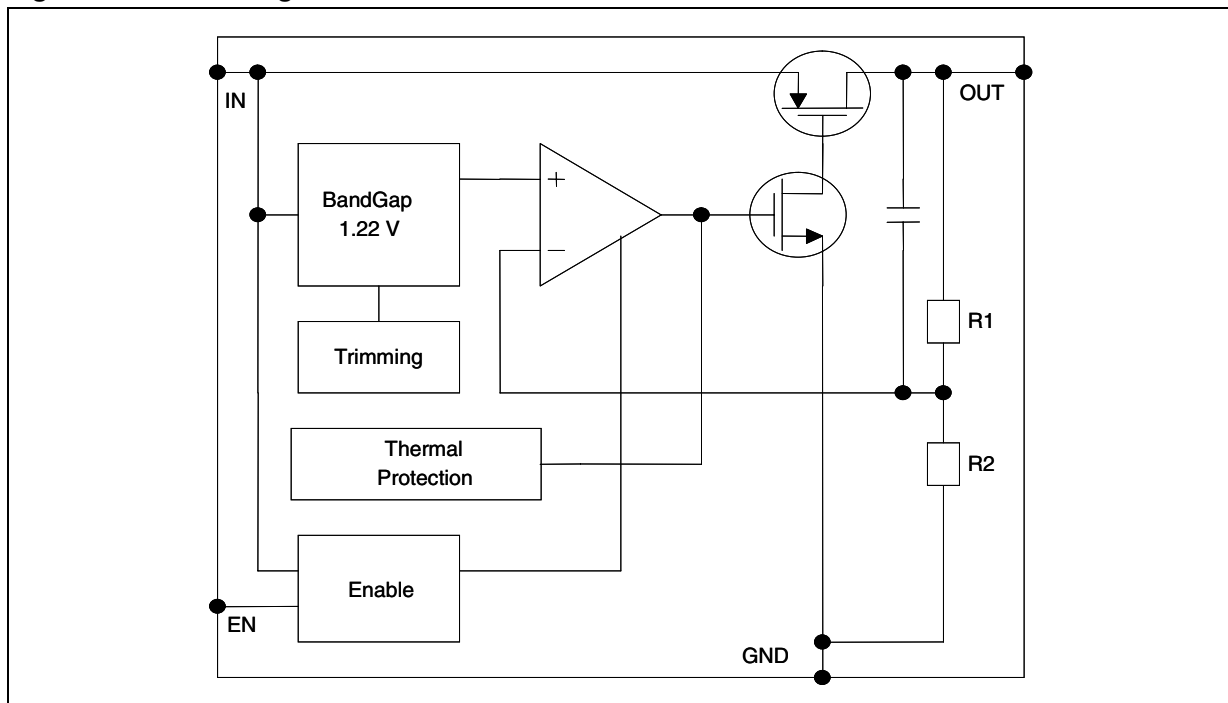
Part numbers	Order codes	Output voltages
LD39015JXX12	LD39015J12R	1.2 V
LD39015JXX15	LD39015J15R	1.5 V
LD39015JXX18	LD39015J18R	1.8 V
LD39015JXX25	LD39015J25R	2.5 V
LD39015JXX28	LD39015J28R	2.8 V

Contents

1	Diagram	3
2	Pin configuration	4
3	Typical application	5
4	Maximum ratings	6
5	Electrical characteristics	7
6	Typical performance characteristics	9
7	Package mechanical data	11
8	Revision history	15

1 Diagram

Figure 1. Block diagram



2 Pin configuration

Figure 2. Pin connection (top view)

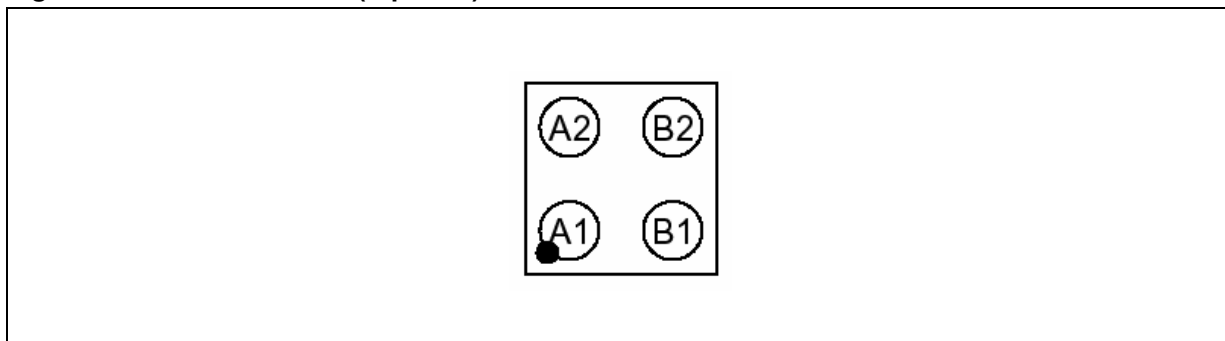
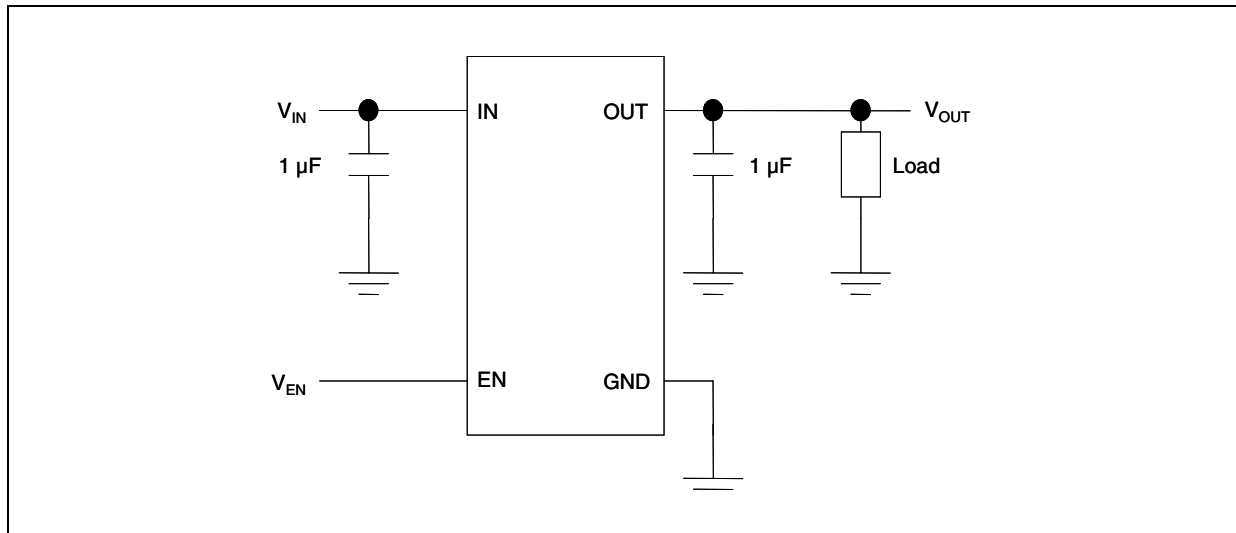


Table 2. Pin description

Pin n°	Symbol	Function
A2	EN	Enable pin logic input: Low=shutdown, High=active
A1	GND	Common ground
B2	IN	Input voltage of the LDO
B1	OUT	Output voltage

3 Typical application

Figure 3. Typical application circuit



4 Maximum ratings

Table 3. Absolute maximum ratings

Symbol	Parameter	Value	Unit
V_{IN}	DC input voltage	- 0.3 to 6	V
V_{OUT}	DC output voltage	- 0.3 to $V_I + 0.3$	V
V_{EN}	Enable input voltage	- 0.3 to $V_I + 0.3$	V
I_{OUT}	Output current	Internally limited	mA
P_D	Power dissipation	Internally limited	mW
T_{STG}	Storage temperature range	-65 to 150	°C
T_{OP}	Operating junction temperature range	-40 to 125	°C

Note: Absolute maximum ratings are those values beyond which damage to the device may occur. Functional operation under these conditions is not implied. All values are referred to GND.

Table 4. Thermal data

Symbol	Parameter	Value	Unit
R_{thJA}	Thermal resistance junction-ambient	180	°C/W

5 Electrical characteristics

$T_J = 25\text{ °C}$, $V_{IN} = V_{OUT(NOM)} + 1\text{ V}$, $C_{IN} = C_{OUT} = 1\text{ }\mu\text{F}$, $I_{OUT} = 1\text{ mA}$, $V_{EN} = V_{IN}$, unless otherwise specified.

Table 5. Electrical characteristics

Symbol	Parameter	Test conditions	Min.	Typ.	Max.	Unit
V_{IN}	Operating input voltage		1.5		5.5	V
V_{UVLO}	Turn-on threshold			1.45	1.48	V
	Turn-off threshold		1.30	1.35		mV
V_{OUT}	V_{OUT} accuracy	$V_{OUT} > 1.5\text{V}$, $I_{OUT} = 1\text{mA}$, $T_J = 25\text{°C}$	-2.0		2.0	%
		$V_{OUT} > 1.5\text{V}$, $I_{OUT} = 1\text{mA}$, $-40\text{°C} < T_J < 125\text{°C}$	-3.0		3.0	
		$V_{OUT} \leq 1.5\text{V}$, $I_{OUT} = 1\text{mA}$		± 10		mV
		$V_{OUT} \leq 1.5\text{V}$, $I_{OUT} = 1\text{mA}$, $-40\text{°C} < T_J < 125\text{°C}$		± 30		
ΔV_{OUT}	Static line regulation	$V_{OUT} + 1\text{V} \leq V_{IN} \leq 5.5\text{V}$, $I_{OUT} = 1\text{mA}$		0.01		%/V
ΔV_{OUT}	Static load regulation	$I_{OUT} = 1\text{mA}$ to 150mA		0.002		%/mA
V_{DROP}	Dropout voltage ⁽¹⁾	$I_{OUT} = 100\text{mA}$, $V_{OUT} > 1.5\text{V}$ $-40\text{°C} < T_J < 125\text{°C}$		90	130	mV
e_N	Output noise voltage	10Hz to 100kHz, $I_{OUT} = 10\text{mA}$, $V_{OUT} = 1.8\text{V}$, $V_{IN} = 2.8\text{V}$		54		μV_{RMS}
SVR	Supply voltage rejection $V_{OUT} = 1.5\text{V}$	$V_{IN} = V_{OUTNOM} + 1\text{V} +/- V_{RIPPLE}$ $V_{RIPPLE} = 0.1\text{V}$, freq. = 1kHz $I_{OUT} = 10\text{mA}$		74		dB
		$V_{IN} = V_{OUTNOM} + 0.5\text{V} +/- V_{RIPPLE}$ $V_{RIPPLE} = 0.1\text{V}$, Freq.=10kHz $I_{OUT} = 10\text{mA}$		67		
I_Q	Quiescent current	$I_{OUT} = 0\text{mA}$		20		μA
		$I_{OUT} = 0\text{mA}$, $-40\text{°C} < T_J < 125\text{°C}$			40	
		$I_{OUT} = 0$ to 150mA		35		
		$I_{OUT} = 0$ to 150mA $-40\text{°C} < T_J < 125\text{°C}$			50	
		V_{IN} input current in OFF MODE: $V_{EN} = \text{GND}$		0.003	1	
I_{SC}	Short circuit current	$R_L = 0$	200			mA
V_{EN}	Enable input logic low	$V_{IN} = 1.5\text{V}$ to 5.5V, $-40\text{°C} < T_J < 125\text{°C}$			0.4	V
	Enable input logic high	$V_{IN} = 1.5\text{V}$ to 5.5V, $-40\text{°C} < T_J < 125\text{°C}$	0.9			V
I_{EN}	Enable pin input current	$V_{SHDN} = V_{IN}$, $-40\text{°C} < T_J < 125\text{°C}$		0.1	1	μA

Table 5. Electrical characteristics (continued)

Symbol	Parameter	Test conditions	Min.	Typ.	Max.	Unit
T _{ON}	Turn on time ⁽²⁾			30		μs
T _{SHDN}	Thermal shutdown			160		°C
	Hysteresis			20		
C _{OUT}	Output capacitor	Capacitance (see typical performance characteristics for stability)	1		22	μF

1. Dropout voltage is the input-to-output voltage difference at which the output voltage is 100 mV below its nominal value. This specification does not apply for output voltages below 1.5 V.
2. Turn-on time is time measured between the enable input just exceeding V_{EN} High Value and the output voltage just reaching 95% of its nominal value.

6 Typical performance characteristics

Figure 4. Output voltage vs. temperature

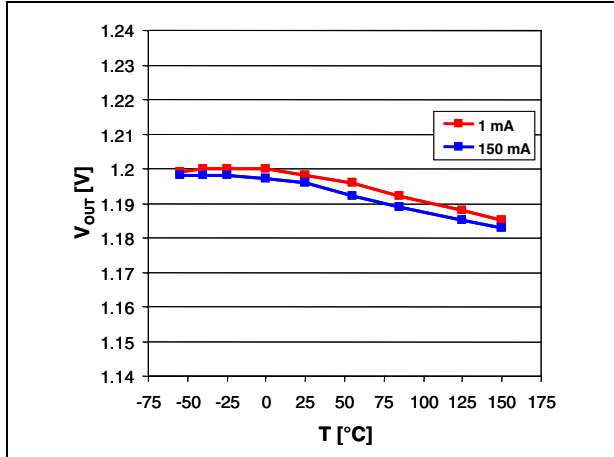


Figure 5. Output voltage vs. input voltage

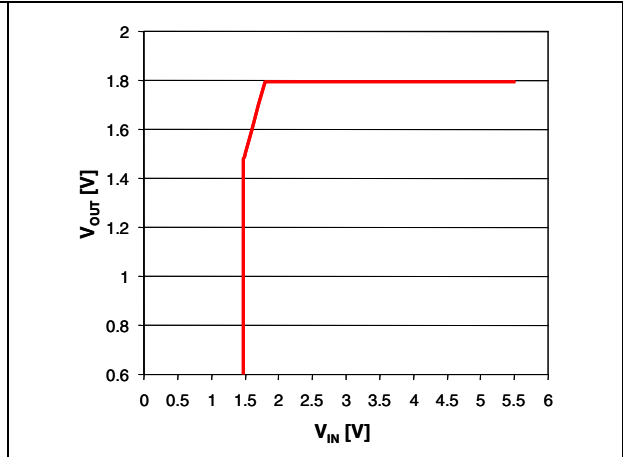


Figure 6. Dropout voltage vs. output current

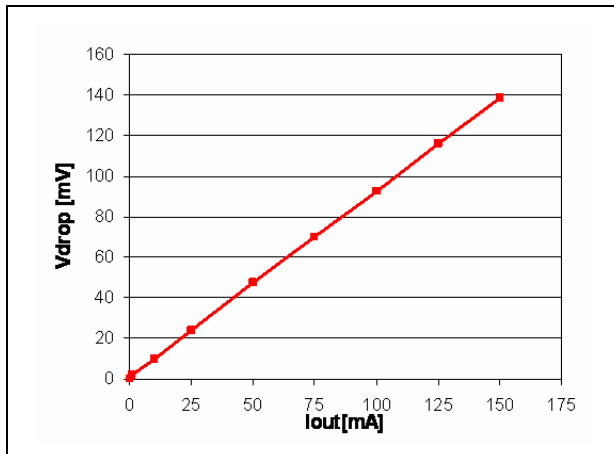


Figure 7. C_{OUT} stability region

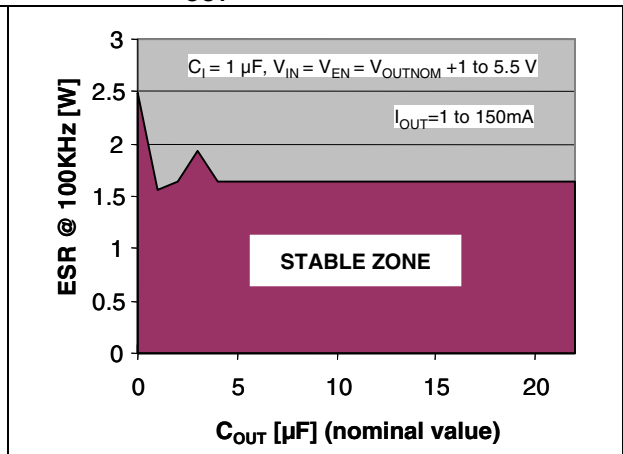


Figure 8. Supply voltage rejection vs. frequency

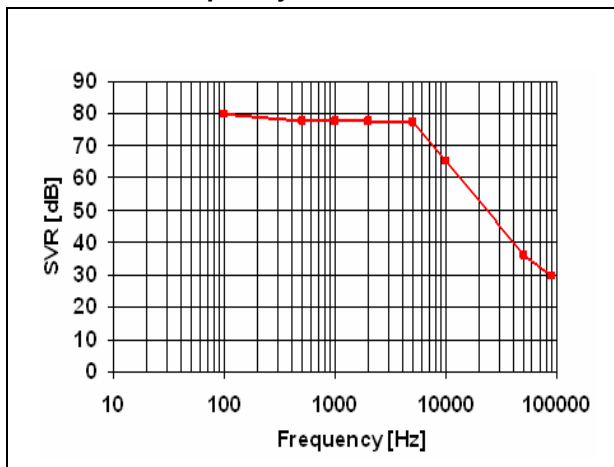


Figure 9. Output noise spectral density

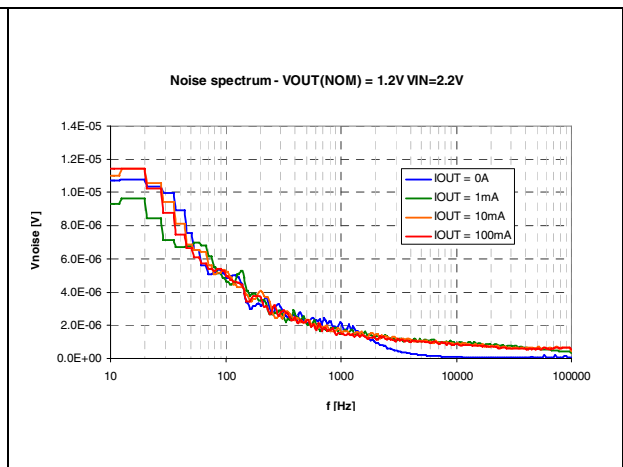


Figure 10. SVR vs. drop

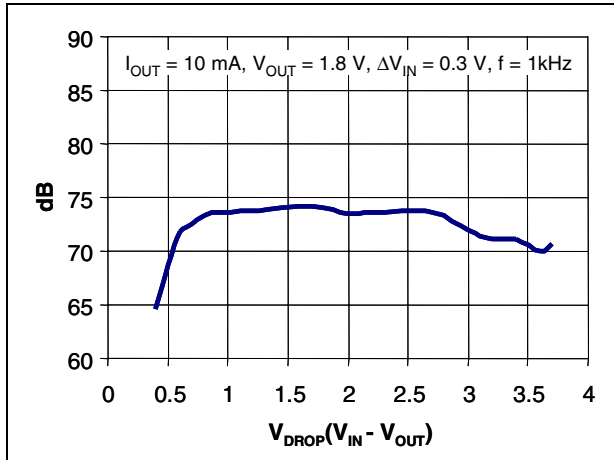


Figure 11. Quiescent current vs. I_OUT

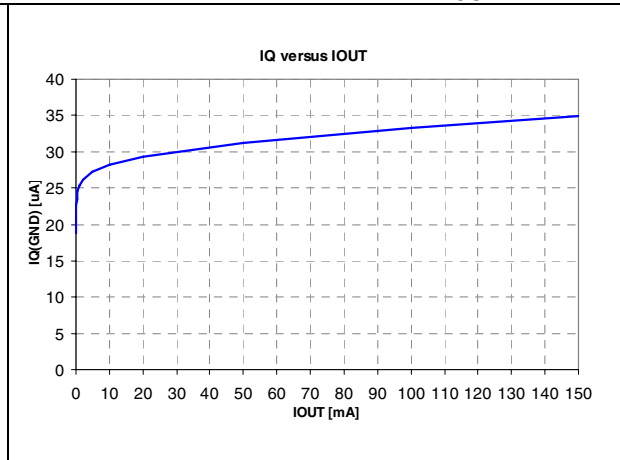


Figure 12. Quiescent current vs. input voltage Figure 13. Load transient

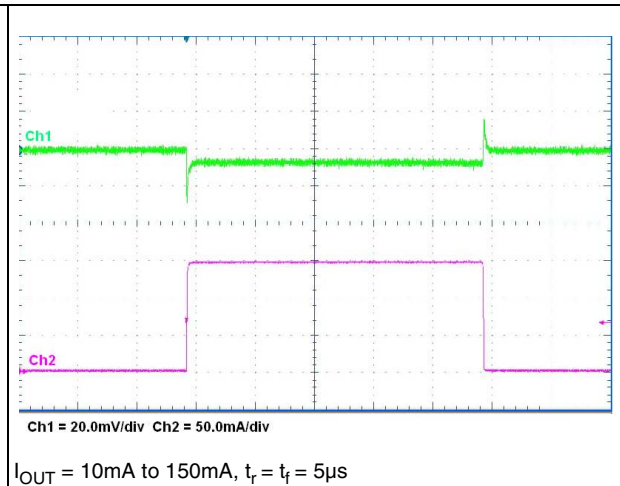
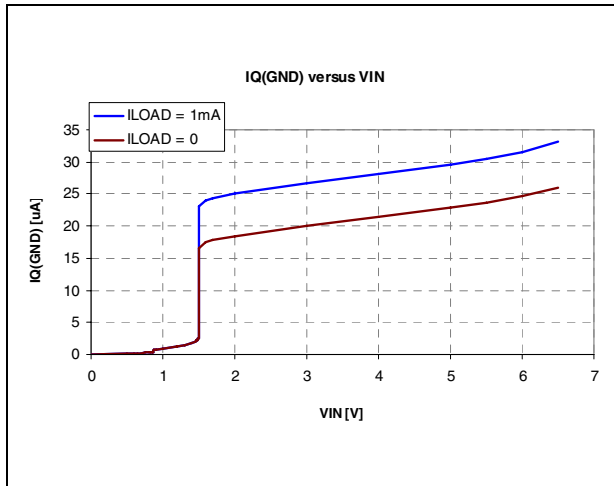


Figure 14. Line transient

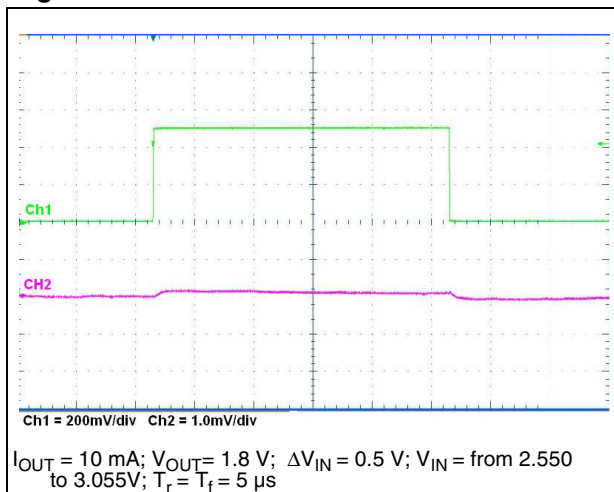
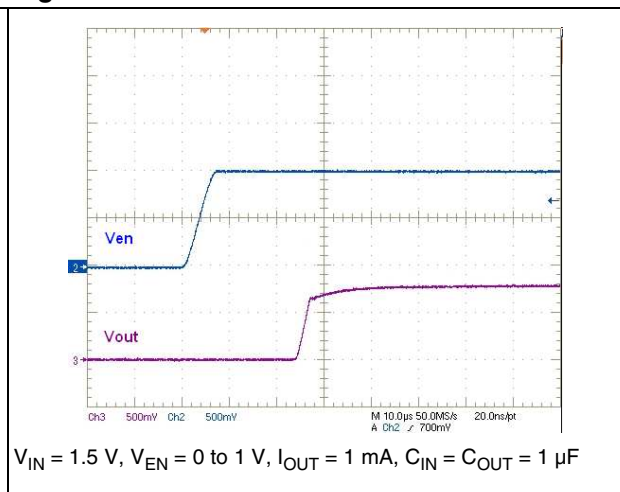


Figure 15. Enable transient

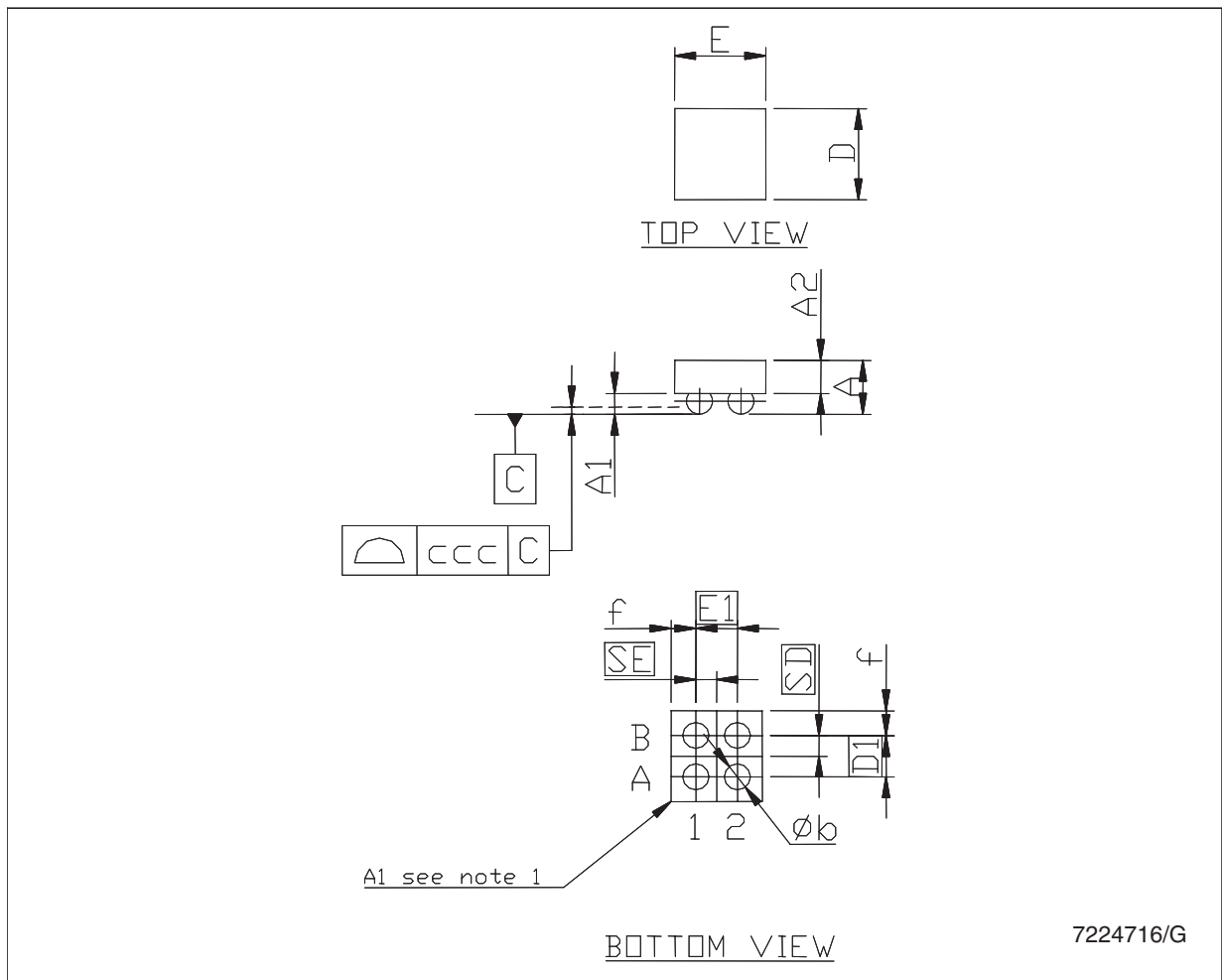


7 Package mechanical data

In order to meet environmental requirements, ST offers these devices in different grades of ECOPACK[®] packages, depending on their level of environmental compliance. ECOPACK[®] specifications, grade definitions and product status are available at: www.st.com. ECOPACK is an ST trademark.

Flip-chip 4 mechanical data

Dim.	mm.			mils.		
	Min.	Typ.	Max.	Min.	Typ.	Max.
A	0.585	0.65	0.715	23.03	25.59	28.15
A1	0.21	0.25	0.29	8.27	9.84	11.42
A2		0.40			15.75	
b	0.265	0.315	0.365	10.43	12.40	14.37
D	1.02	1.07	1.12	40.15	42.13	44.09
D1		0.5			19.69	
E	1.02	1.07	1.12	40.15	42.13	44.09
E1		0.5			19.69	
SD		0.25			9.84	
SE		0.25			9.84	



Tape and reel Flip-chip 4 mechanical data

Dim.	mm.			inch.		
	Min.	Typ.	Max.	Min.	Typ.	Max.
A			178			6.926
C	12.8		13.2	0.504		0.519
D	20.2			0.795		
N	59	60	61	2.323	2.362	2.401
T			8.4			0.331
Ao	1.12	1.17	1.22	0.044	0.046	0.048
Bo	1.12	1.17	1.22	0.044	0.046	0.048
Ko	0.68	0.73	0.78	0.027	0.029	0.031
Po	3.9	4	4.1	0.153	0.157	0.161
P	3.9	4	4.1	0.153	0.157	0.161

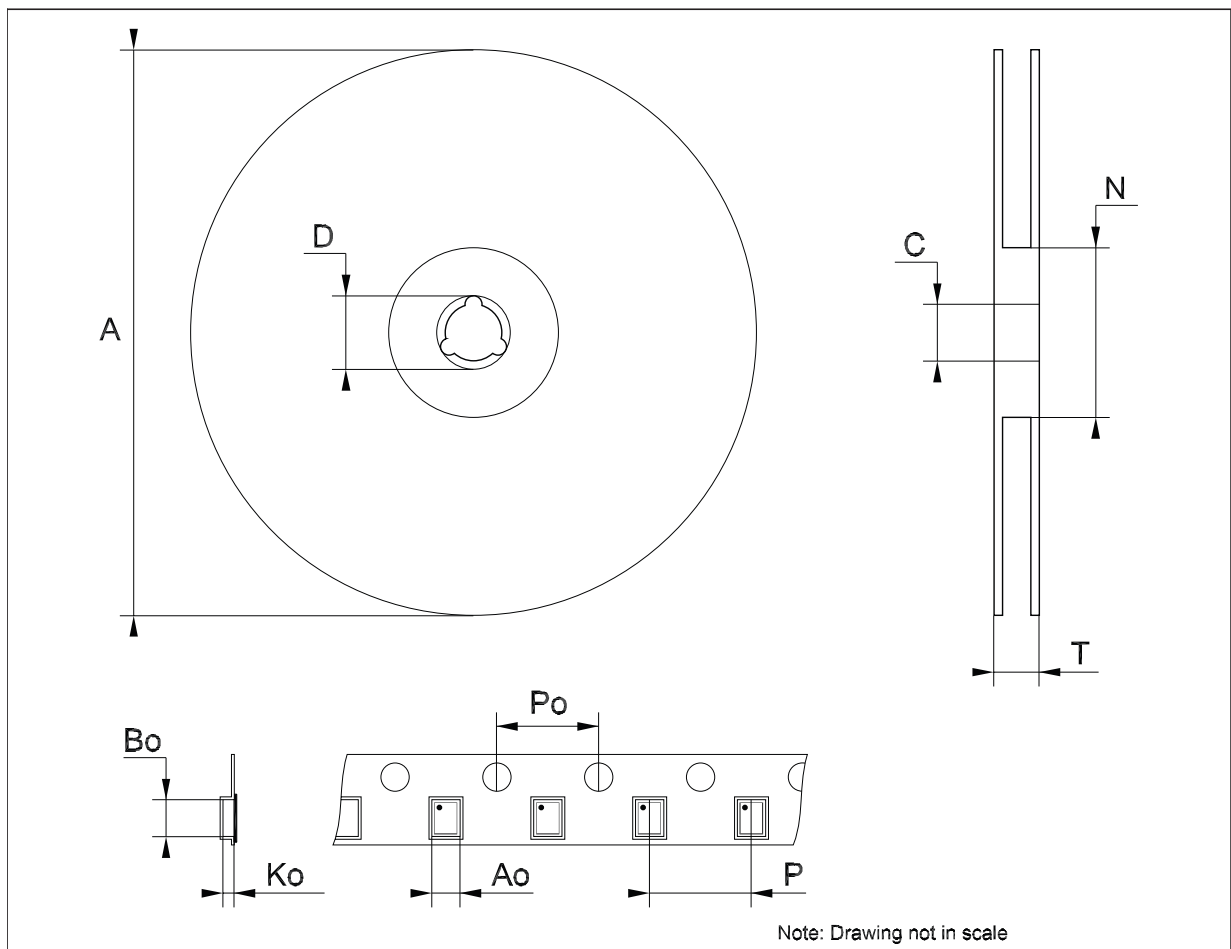
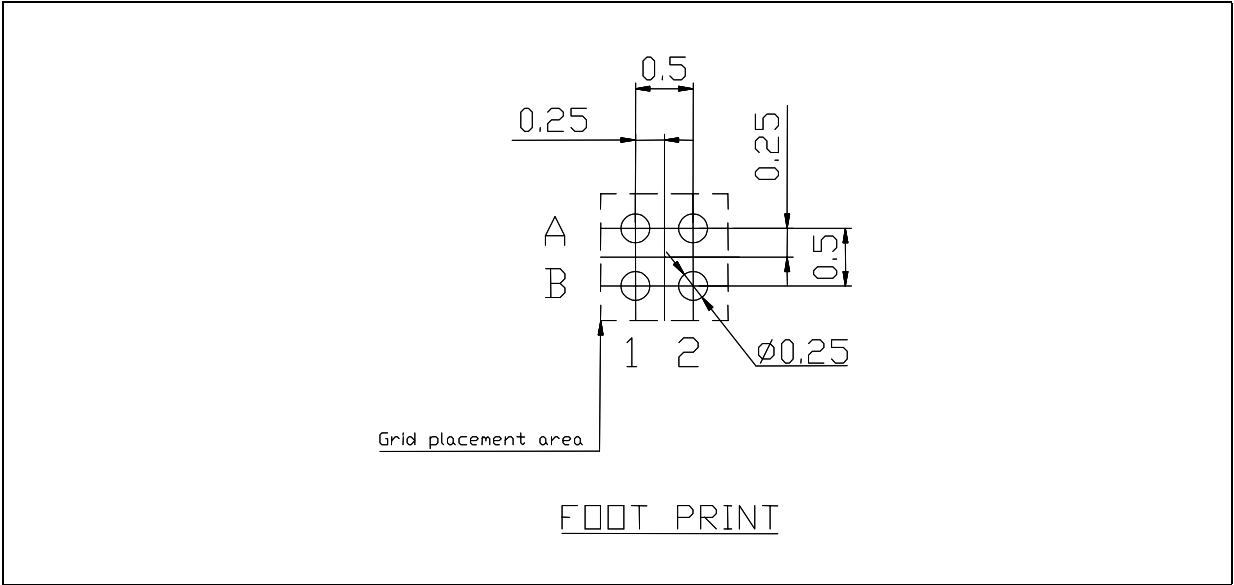


Figure 16. Foot print data



8 Revision history

Table 6. Document revision history

Date	Revision	Changes
29-Jun-2009	1	First release.
05-Aug-2009	2	Updated tape and reel mechanical data.
11-Sep-2012	3	Added: new order code LD39015J25R Table 1 on page 1 .

Please Read Carefully:

Information in this document is provided solely in connection with ST products. STMicroelectronics NV and its subsidiaries ("ST") reserve the right to make changes, corrections, modifications or improvements, to this document, and the products and services described herein at any time, without notice.

All ST products are sold pursuant to ST's terms and conditions of sale.

Purchasers are solely responsible for the choice, selection and use of the ST products and services described herein, and ST assumes no liability whatsoever relating to the choice, selection or use of the ST products and services described herein.

No license, express or implied, by estoppel or otherwise, to any intellectual property rights is granted under this document. If any part of this document refers to any third party products or services it shall not be deemed a license grant by ST for the use of such third party products or services, or any intellectual property contained therein or considered as a warranty covering the use in any manner whatsoever of such third party products or services or any intellectual property contained therein.

UNLESS OTHERWISE SET FORTH IN ST'S TERMS AND CONDITIONS OF SALE ST DISCLAIMS ANY EXPRESS OR IMPLIED WARRANTY WITH RESPECT TO THE USE AND/OR SALE OF ST PRODUCTS INCLUDING WITHOUT LIMITATION IMPLIED WARRANTIES OF MERCHANTABILITY, FITNESS FOR A PARTICULAR PURPOSE (AND THEIR EQUIVALENTS UNDER THE LAWS OF ANY JURISDICTION), OR INFRINGEMENT OF ANY PATENT, COPYRIGHT OR OTHER INTELLECTUAL PROPERTY RIGHT.

UNLESS EXPRESSLY APPROVED IN WRITING BY TWO AUTHORIZED ST REPRESENTATIVES, ST PRODUCTS ARE NOT RECOMMENDED, AUTHORIZED OR WARRANTED FOR USE IN MILITARY, AIR CRAFT, SPACE, LIFE SAVING, OR LIFE SUSTAINING APPLICATIONS, NOR IN PRODUCTS OR SYSTEMS WHERE FAILURE OR MALFUNCTION MAY RESULT IN PERSONAL INJURY, DEATH, OR SEVERE PROPERTY OR ENVIRONMENTAL DAMAGE. ST PRODUCTS WHICH ARE NOT SPECIFIED AS "AUTOMOTIVE GRADE" MAY ONLY BE USED IN AUTOMOTIVE APPLICATIONS AT USER'S OWN RISK.

Resale of ST products with provisions different from the statements and/or technical features set forth in this document shall immediately void any warranty granted by ST for the ST product or service described herein and shall not create or extend in any manner whatsoever, any liability of ST.

ST and the ST logo are trademarks or registered trademarks of ST in various countries.

Information in this document supersedes and replaces all information previously supplied.

The ST logo is a registered trademark of STMicroelectronics. All other names are the property of their respective owners.

© 2012 STMicroelectronics - All rights reserved

STMicroelectronics group of companies

Australia - Belgium - Brazil - Canada - China - Czech Republic - Finland - France - Germany - Hong Kong - India - Israel - Italy - Japan - Malaysia - Malta - Morocco - Philippines - Singapore - Spain - Sweden - Switzerland - United Kingdom - United States of America

www.st.com