

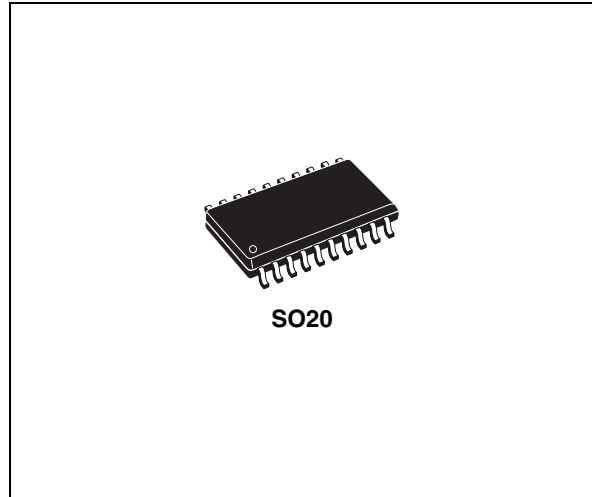
Triple high-side MOSFET driver

Features

- Overvoltage charge pump shut off
- For $V_S > 25\text{ V}$
- Reverse battery protection (referring to the application circuit diagram)
- Programmable overload protection function for channel 1 and 2
- Open ground protection function for channel 1 and 2
- Constant gate charge/discharge current

Description

The L9380 device is a controller for three external N-channel power MOS transistors in "High-Side Switch" configuration.



It is intended for relays replacement in automotive electric control units.

Table 1. Device summary

Order code	Package	Packing
L9380	SO20	Tube
L9380-TR	SO20	Tape and reel
L9380-LF ⁽¹⁾	SO20	Tube
L9380-TR-LF ⁽¹⁾	SO20	Tape and reel

1. Devices in ECOPACK® packages (see [Section 5: Package information on page 16](#)).

Contents

- 1 Block diagram 5**
- 2 Pins description 6**
- 3 Electrical specifications 7**
 - 3.1 Absolute maximum ratings 7
 - 3.2 Thermal data 7
 - 3.3 Electrical characteristics 7
- 4 Functional description 9**
 - 4.1 Typical characteristics curve 13
 - 4.1.1 Electromagnetic emission classification (EME) 15
- 5 Package information 16**
- 6 Revision history 17**

List of tables

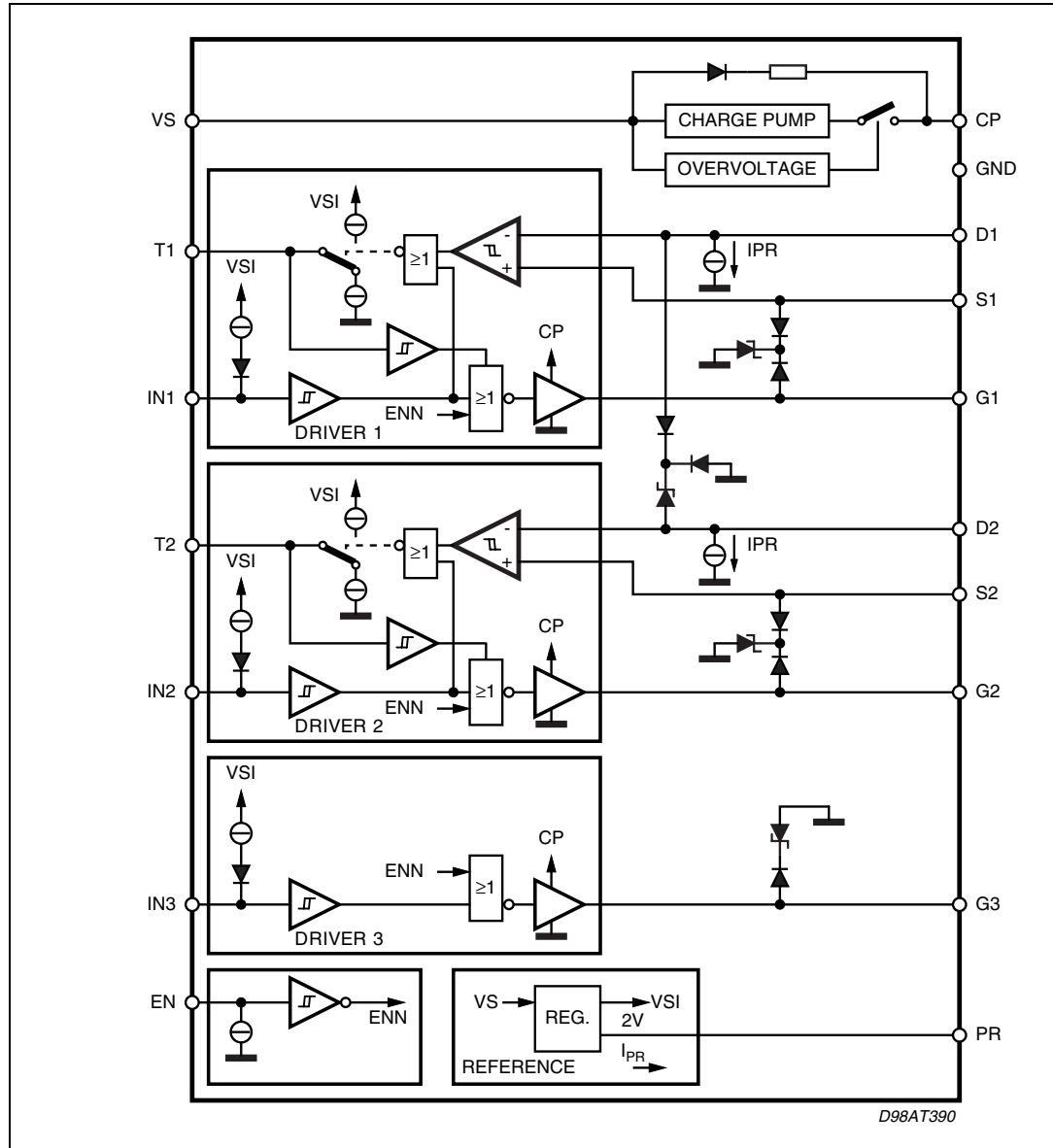
Table 1.	Device summary	1
Table 2.	Pins function	6
Table 3.	Absolute maximum ratings	7
Table 4.	Thermal data	7
Table 5.	Electrical characteristics	7
Table 6.	Electromagnetic emission classification	15
Table 7.	Document revision history	17

List of figures

Figure 1.	Block diagram	5
Figure 2.	Pins connection (top view)	6
Figure 3.	Timing characteristic	10
Figure 4.	Drain, source input current.	10
Figure 5.	Comparator hysteresis	11
Figure 6.	Application circuit	12
Figure 7.	Charge loading time as function of VS ($V_{cp} = 8 V + VS$)	13
Figure 8.	Charge pump current as function of the charge voltage	13
Figure 9.	Ground loss protection gate discharge current for source voltage	13
Figure 10.	Input current as function of the input voltage	13
Figure 11.	Overvoltage shutdown of the charge pump with hysteresis	13
Figure 12.	Measured circuit (The EMS of the device was verified in the below described setup)	14
Figure 13.	Printed circuit board (PCB)	15
Figure 14.	SO20 mechanical data and package dimensions.	16

1 Block diagram

Figure 1. Block diagram



2 Pins description

Figure 2. Pins connection (top view)

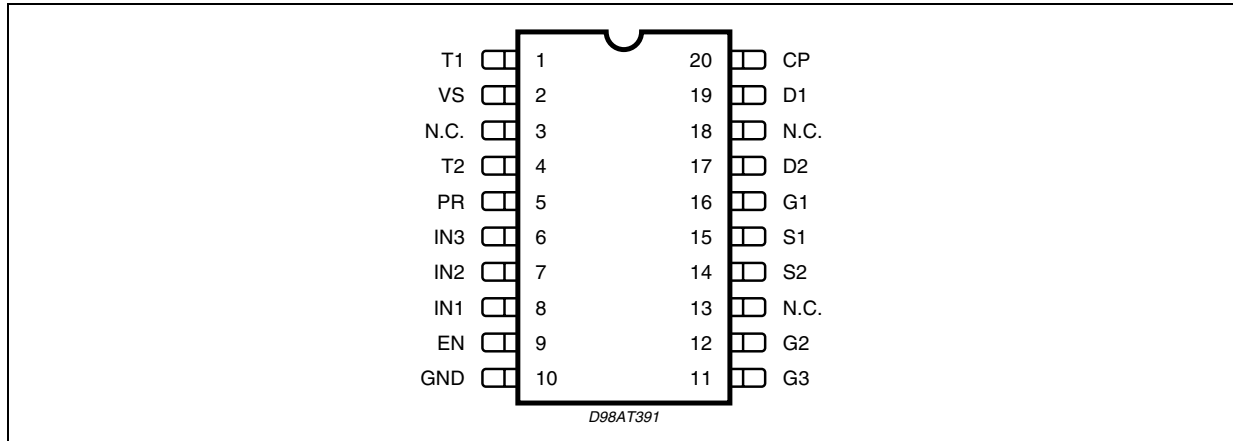


Table 2. Pins function

N°	Pin name	Function
1	T1	Timer capacitor; the capacitor defines the time for the channel 1 shut down, after overload of the external MOS transistor has been detected.
2	V _S	Supply voltage.
4	T2	Timer capacitor; the capacitor defines the time for the channel 2 shut down, after overload of the external MOS transistor has been detected.
5	PR	Programming resistor for overload detection threshold; the resistor from this pin to ground defines the drain pin current and the charging of the timer capacitor.
6	IN3	Input 3; equal to IN1.
7	IN2	Input 2; equal to IN1.
8	IN1	Input 1; logic signal applied to this pin controls the driver 1; this pin features a current source to assure defined high status when the pin is open.
9	EN	Enable logic signal high on this pin enables all channels
10	GND	Ground
11	G3	Gate 3 driver output; current source from CP or ground
12	G2	Gate 2 driver output; current source from CP or ground
14	S2	Source 2 sense input; monitors the source voltage.
15	S1	Source 1 sense input; monitors the source voltage.
16	G1	Gate 1 driver output; current source from CP or ground
17	D2	Drain 2 sense input; a programmable input bias current defines the drop across the external resistor R _{D1} ; this drop fixes the overload threshold of the external MOS.
19	D1	Drain 1 sense input; a programmable input bias current defines the drop across the external resistor R _{D1} ; this drop fixes the overload threshold of the external MOS.
20	CP	Charge pump capacitor; an alternating current source at this pin charges the connected capacitor C _{CP} to a voltage 10V higher than V _S ; the charge stored in this capacitor is then used to charge all the three gates of the power MOS transistors.
3, 13, 18	NC	Not connected

3 Electrical specifications

3.1 Absolute maximum ratings

Table 3. Absolute maximum ratings

Symbol	Parameter	Value	Unit
V_S	DC supply voltage	-0.3 to +27	V
V_S	Supply voltage pulse ($t \leq 400$ ms)	45	V
$\Delta V_S/dt$	Supply voltage slope	-10 to +10	V/ μ s
$V_{IN,EN}$	Input / enable voltage	-0.3 to +7	V
V_T	Timer voltage	-0.3 to 27	V
$V_{D,G,S}$	Drain, gate, source voltage	-15 to +27	V
$V_{D,G,S}$	Drain, gate, source voltage pulse ($t \leq 400$ ms)	45	V
$I_{D,G,S}$	Drain, gate, source current ($t \leq 2$ ms)	0 to +4	mA
T_j	Operating junction temperature	-40 to 150	$^{\circ}$ C
T_{stg}	Storage temperature	-65 to 150	$^{\circ}$ C

Note: ESD for all pins, except the timer pins, are according to MIL 883C, tested at 2 kV, corresponds to a maximum energy dissipation of 0.2 mJ. The timer pins are tested with 800 V.

3.2 Thermal data

Table 4. Thermal data

Symbol	Parameter	Value	Unit
$R_{th\ j-amb}$	Thermal resistance junction-to-ambient	100	$^{\circ}$ C/W

3.3 Electrical characteristics

$7\text{ V} \leq V_S \leq 18.5\text{ V}$; $-40^{\circ}\text{ C} \leq T_j \leq 150^{\circ}\text{ C}$, unless otherwise specified.

Table 5. Electrical characteristics

Symbol	Parameter	Test condition	Min.	Typ.	Max.	Unit
Supply						
I_{VS}	Static operating supply current	$V_S = 14\text{ V}$	-	-	2.5	mA
Charge pump						
V_{CP}	Charge pump voltage above V_S	-	8	-	17	V
I_{CP}	Charge pump current	$V_S = 7\text{ V}, V_{CP} = 15\text{ V}, T_j \geq 25^{\circ}\text{ C}$	-23	-	-12	μ A
		$V_S = 7\text{ V}, V_{CP} = 15\text{ V}, T_j < 25^{\circ}\text{ C}$	-23	-	-10	μ A

Table 5. Electrical characteristics (continued)

Symbol	Parameter	Test condition	Min.	Typ.	Max.	Unit
I _{CP}	Charge pump current	V _S = 12 V, V _{CP} = 20 V, T _j ≥ 25 °C	-70	-	-45	μA
		V _S = 12 V, V _{CP} = 20 V, T _j < 25 °C	-70	-	-38	μA
t _{CP}	Charging time	V _{CP} = V _S + 8 V C _{CP} = 100 pF	-	-	200	μs
V _{SCP off}	Overvoltage shut down	-	20	-	30	V
V _{SCP hys}	Overvoltage shut down hysteresis ⁽¹⁾	-	50	200	1000	mV
f _{CP}	Charge pump frequency ⁽¹⁾	-	100	250	400	KHz
Gate drivers						
I _{GS0}	Gate source current	V _G = V _S	-5	-3	-1	mA
I _{GSi}	Gate sink current	V _G ≥ 0.8 V	1	3	5	mA
I _{GCP}	Charge pump current on the gate	V _S = 12 V, V _G = 20 V, T _j ≥ 25 °C	-60	-	-35	μA
		V _S = 12V, V _G = 20 V, T _j < 25 °C	-60	-	-28	μA
Drain - source sensing						
V _{PR}	Bias current programming voltage	10 μA ≤ I _{PR} ≤ 100 μA; V _D ≥ 4 V	1.8	2	2.2	V
I _{D Leak}	Drain pin leakage current	V _S = 0 V; V _D = 14 V	0	-	5	A
I _D	Drain pin bias current	V _S ≥ V _D + 1 V; V _D ≥ 5 V	0.9 I _{PR}	-	1.1 I _{PR}	
I _{Smax}	Source pin input current	V _S ≥ V _D + 1 V; V _D ≥ 7 V	10	-	60	A
V _{HYST}	Comparator hysteresis	-	-	20	-	mV
Timer						
V _{THi}	Timer threshold high	-	4	4.4	4.8	V
V _{TLo}	Timer threshold low	-	0.3	0.4	0.5	V
I _T	Timer current	IN = 5 V; V _T = 2 V IN = 0 V; V _S < V _D ; V _D ≥ 5 V; V _T = 2 V	0.4 I _{PR} -0.6 I _{PR}	-	0.6 I _{PR} -0.4 I _{PR}	-
Inputs						
V _{LOW}	Input enable low voltage	-	-0.3	-	1	V
V _{HIGH}	Input enable high voltage	-	3	-	7	V
V _{INhys}	Input enable hysteresis ⁽¹⁾	-	50	200	500	mV
I _{IN}	Input source current	V _{IN} ≤ 3 V	-30	-	-5	μA
I _{EN}	Enable sink current	V _{EN} ≥ 1 V	5	-	30	μA
t _d	Transfer time IN/ENABLE	V _S = 14 V V _G = V _S ; Open Gate	-	-	2.5	μs

1. Not measured guaranteed by design.

Function is given for supply voltage down to 5.5 V.
 Function means: the channels are controlled from the inputs, some other parameters may exceed the limit. In this case the programming voltage and timer threshold will be lower. This leads to a lower protection threshold and time.

4 Functional description

The triple high-side Power-MOS Driver features all necessary control and protection functions to switch on three Power-MOS transistors operating as High-Side switches in automotive electronic control units. The key application field is relays replacement in systems where high current loads, usually motors with nominal currents of about 40 A connected to ground, has to be switched.

A high signal at the EN pin enables all three channels. With enable low gates are clamped to ground. In this condition the gate sink current is higher than the specified 3 mA. An enable low signal makes also a reset of the timer.

A low signal at the inputs switch on the gates of the external MOS. A short circuit at the input leads to permanent activation of the concerned channel. In this case the device can be disabled with the enable pin. The charge pump loading is not influenced due to the enable input.

An external N-channel MOS driver in high side configuration needs a gate driving voltage higher than V_S . It is generated by means of a charge pump with integrated charge transfer capacitors and one external charge storage capacitor C_{CP}

The charge pump is dimensioned to load a capacitor C_{CP} of 33 nF in less than 20 ms up to 8V above V_S . The value of C_{CP} depends on the input capacitance of the external MOS and the decay of the charge pump voltage down to that value where no significant influence on the application occurs.

The necessary charging time for C_{CP} has to be respected in the sequence of the input control signals.

As a consequence the lower gate to source voltage can cause a higher drop across the Power-MOS and get into overload condition. In this case the overload protection timer will start.

After the protection time the concerned channel will be switched off. Channel 3 is not equipped with an overload protection. The same situation can occur due to a discharge of the storage capacitor caused by the gate short to ground. The gate driver that is supplied from the pin CP, which is the charge pump output, has a sink and source current capability of 3 mA. For a short-circuit of the load (source to ground) the L9380 has no gate to source limitation. The gate source protection must be done externally.

Channel 1 and 2 provide drain to source voltage sensing possibility with programmable shut-off delay when the activation threshold was exceeded.

This threshold V_{DSmin} is set by the external resistor R_D . The bias current flowing through this resistor is determined by the programming resistor R_{PR} . This external resistor R_{PR} defines also the charge and discharge current of the timer capacitor C_T . The drain to source threshold V_{DSmin} and the timer shut off delay time T_{off} can be calculated:

$$V_{DSmin} = V_{PR} \left(\frac{R_D}{R_{PR}} \right)$$

$$T_{off} = 4.4 C_T R_{PR}$$

In application which don't use the overload protection or if one channel is not used, the Timer pin of this channel must be connected to ground and the drain pin with a resistor to V_{bat} .

The timing characteristic illustrates the function and the meaning of V_{DSmin} and T_{off} (see [Figure 6](#)). The input current of the overload sense comparator is specified as I_{Smax} . The sum $I_{PR} + I_{Dmax}$ generates a drop across the external resistor R_D if the drain pin voltage is higher than the source pin (see [Figure 4](#)). In the switching point the comparator input source pin currents are equal and the half of the specified current I_{Smax} . For an offset compensation equal external resistors ($R_D = R_S$) at drain and source pin are imperative. The drain sense comparator, which detects the overload, has a symmetrical hysteresis of 20 mV (see [Figure 5](#)).

Exceeding the source pin voltage by 10 mV with respect to the drain voltage forces the timer capacitor to discharge. Decreasing the source pin voltage 10 mV lower than the drain pin voltage an overload of the external MOS is detected and the timer capacitor will be loaded. After reaching a voltage at pin CT higher than the timer threshold V_{Thi} the influenced channel is switched off. In this case the overload is stored in the timer capacitor.

The timer capacitor will be discharged with a 'High' signal at the input (see [Figure 3](#)). After reaching the lower timer threshold V_{TL0} the overload protection is reset and the channel is able to switch on again.

Figure 3. Timing characteristic

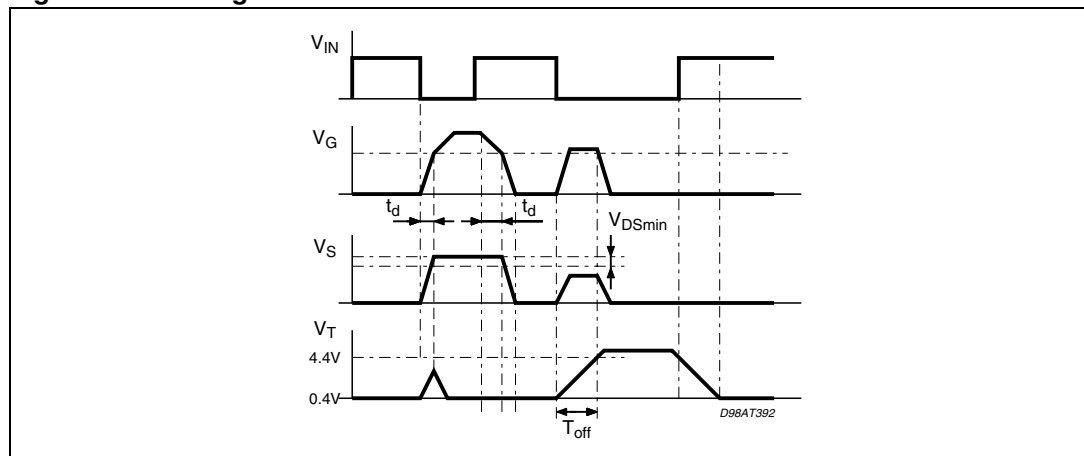


Figure 4. Drain, source input current.

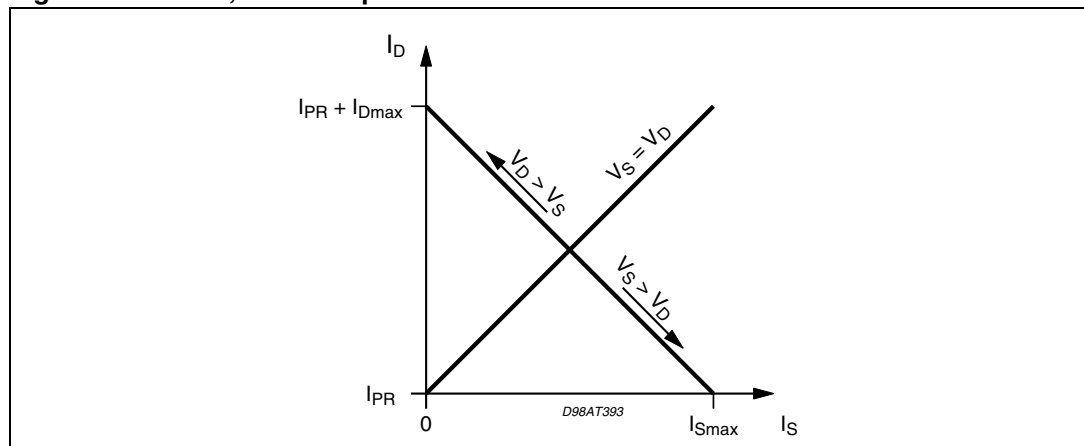
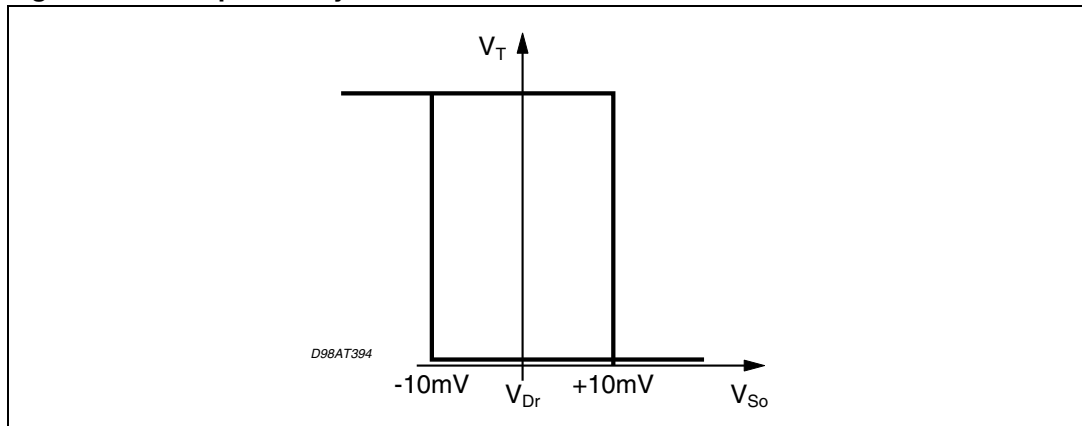


Figure 5. Comparator hysteresis



The application diagram is shown in [Figure 6](#). Because of the transients present at the power lines during operation and possible disturbances in the system the external resistors are necessary.

Positive ISO-Pulses at Drain, Gate Source are clamped with an active clamping structure. The clamping voltage is less than 60V. Negative Pulses are only clamped with the ESD-Structure less than -15 V. This transients lower than -15 V can influence the other channels.

In order to protect the transistor against overload and gate breakdown protection diodes between gate and source and gate and drain has to be connected. In case of overvoltage into V_S ($V_S > 20$ V) the charge pump oscillation is stopped.

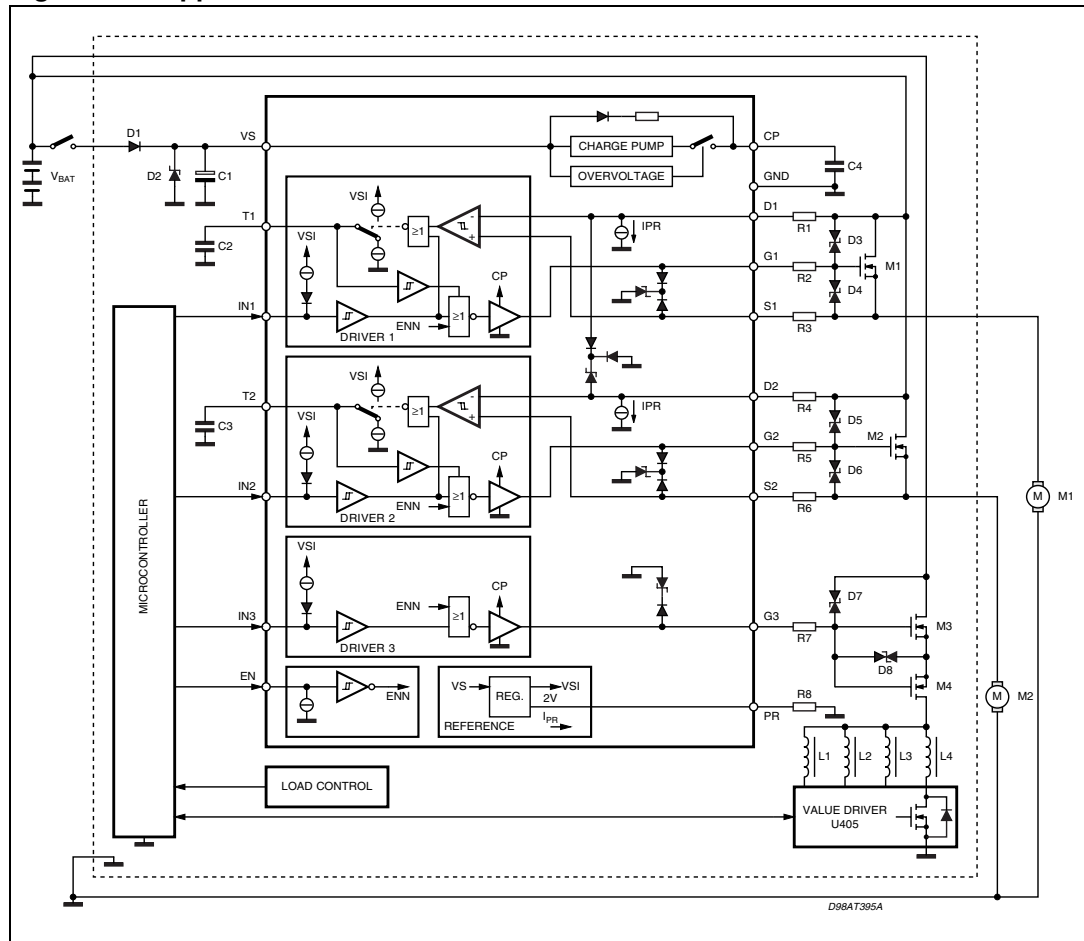
Then the charge pump capacitor will be loaded by a diode and a resistor in series up to V_S (see [Figure 1](#)). In this case the channels are not influenced. In reverse battery condition the pins D1, D2, S1, S2 follow the battery potential down to -13 V (high impedance) and the gate driver pins G1, G2 is referred to S1, S2. In this way it is assured that M1 and M2 will not be driven into the linear conductive mode. This protection function is operating for V_{S1} , V_{S2} down to -15 V. The gate driver output G3 is referred to the D1 in this case. This function guarantees that the source to source connected N-Channel MOS transistors M3 and M4 remains OFF.

All the supplies and the in- and output of the PC Board are supplied with a 40 wires flat cable (not used wires are left open). This cable is submitted to the RF in the strip-line like described in DIN 40839-4 or ISO 11456-5.

The measured circuit was build up on a PCB board with ground plane. In the frequency range from 1 MHz to 400 MHz and 80 % AM-modulation of 1 kHz with field strength of 200 V/m no influence to the basic function was detected on a typical device.

The failure criteria is an envelope of the output signal with 20 % in the amplitude and 2 % in the time.

Figure 6. Application circuit



Recommendations to the application circuit: The timer and the charge capacitors are loaded with an alternating current source. A short ground connection of the charge capacitor is indispensable to avoid electromagnetic emigrations. The dimension of the resistors RD, RG and RS have to respect the maximum current during transients at each pin.

4.1 Typical characteristics curve

Depending on production spread, certain deviations may occur. For limits see [Table 5](#).

Figure 7. Charge loading time as function of V_S ($V_{cp} = 8\text{ V} + V_S$)

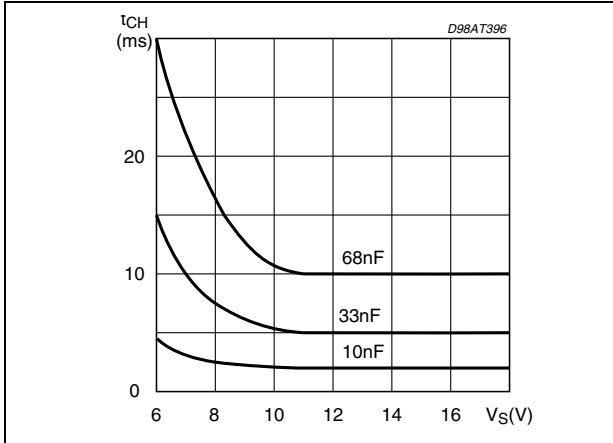


Figure 8. Charge pump current as function of the charge voltage

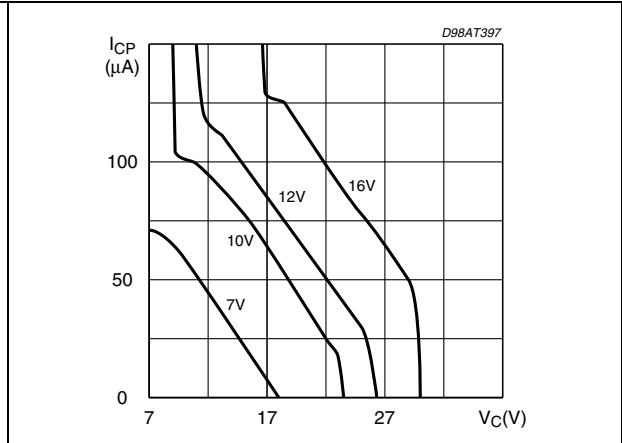


Figure 9. Ground loss protection gate discharge current for source voltage

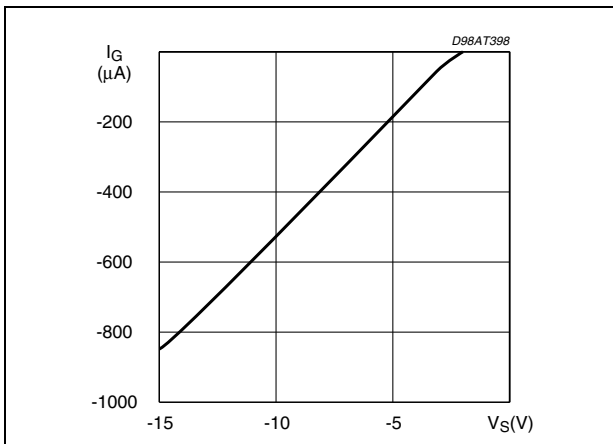


Figure 10. Input current as function of the input voltage

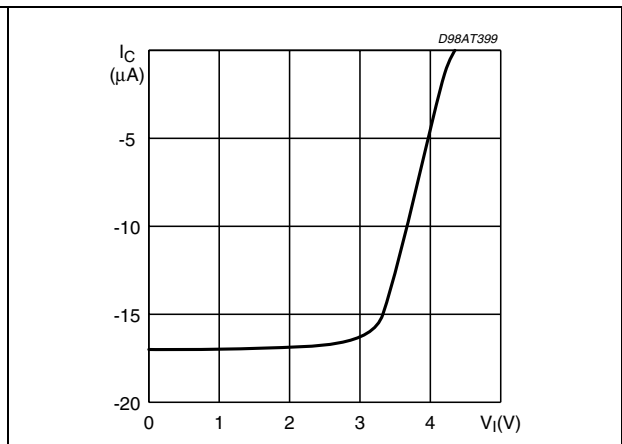


Figure 11. Overvoltage shutdown of the charge pump with hysteresis

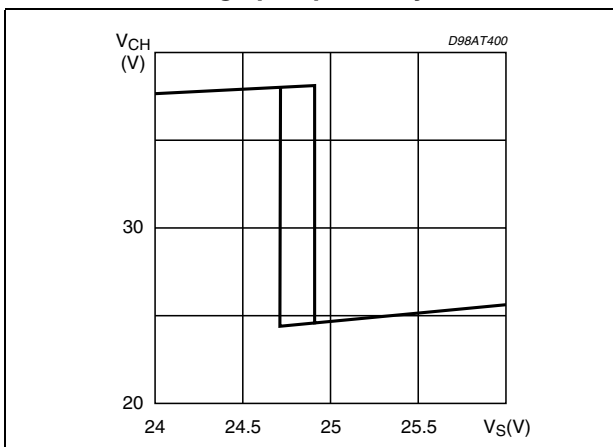


Figure 12. Measured circuit (The EMS of the device was verified in the below described setup)

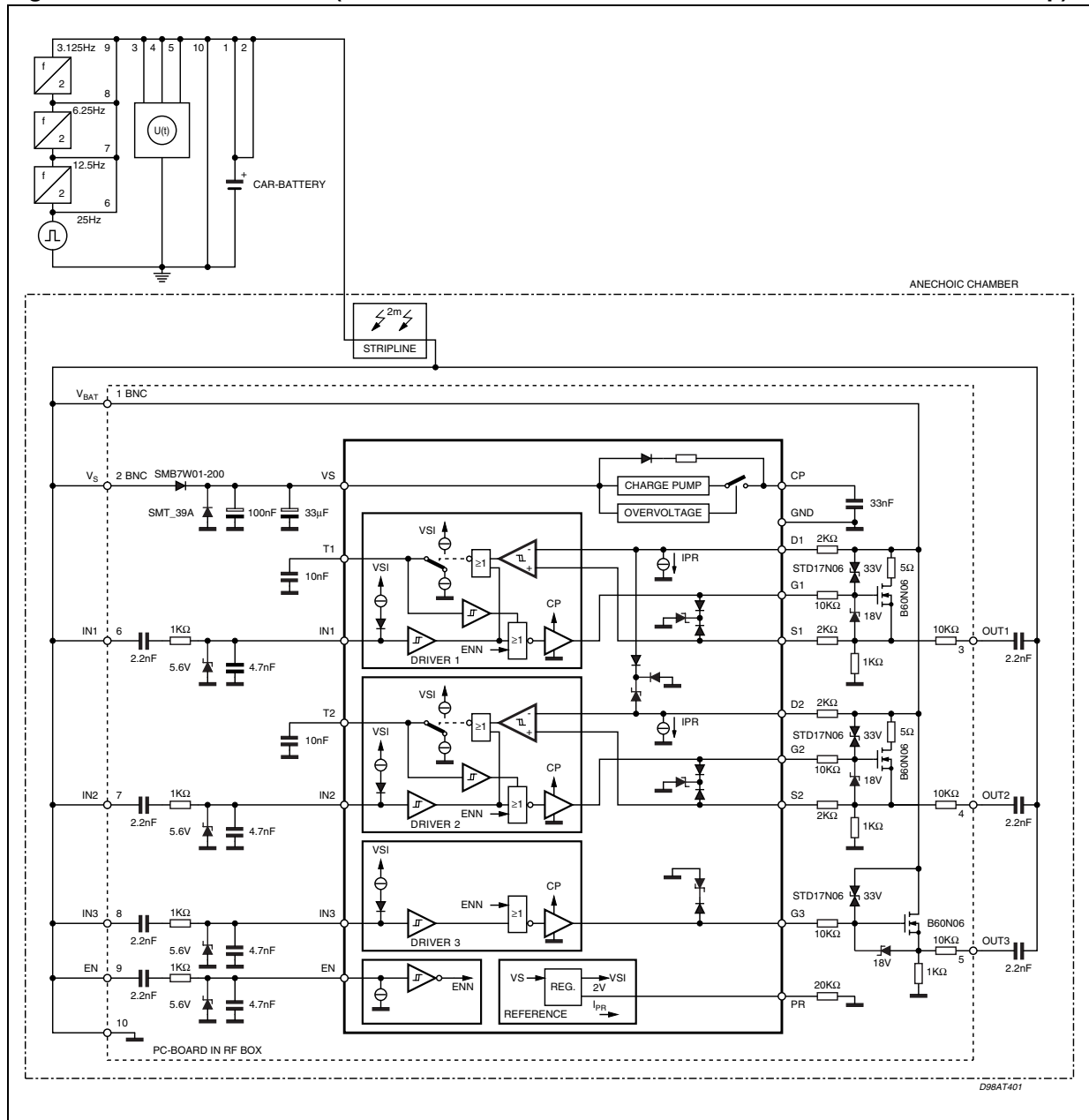
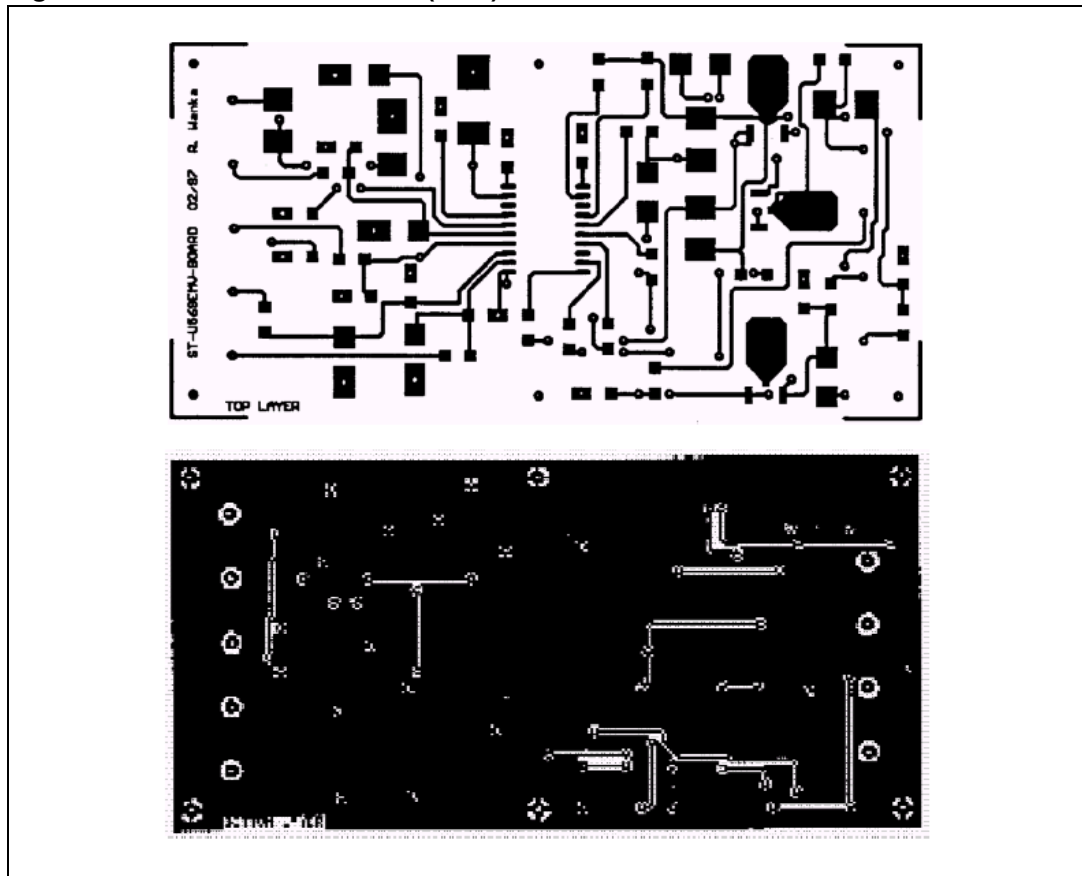


Figure 13. Printed circuit board (PCB)



4.1.1 Electromagnetic emission classification (EME)

Electromagnetic emission classes presented below are typical data found on bench test. For detailed test description please refer to "Electromagnetic Emission (EME) Measurement of Integrated Circuits, DC to 1 GHz" of VDE/ZVEI work group 767.13 and VDE/ZVEI work group 767.14 or IEC project number 47A 1967Ed. This data is targeted to board designers to allow an estimation of emission filtering effort required in application. All measurements are done with the EMS-board (See [Figure 12](#) and [13](#)).

Table 6. Electromagnetic emission classification

Pin	EME class			Remark
VCP	G	-	W	-

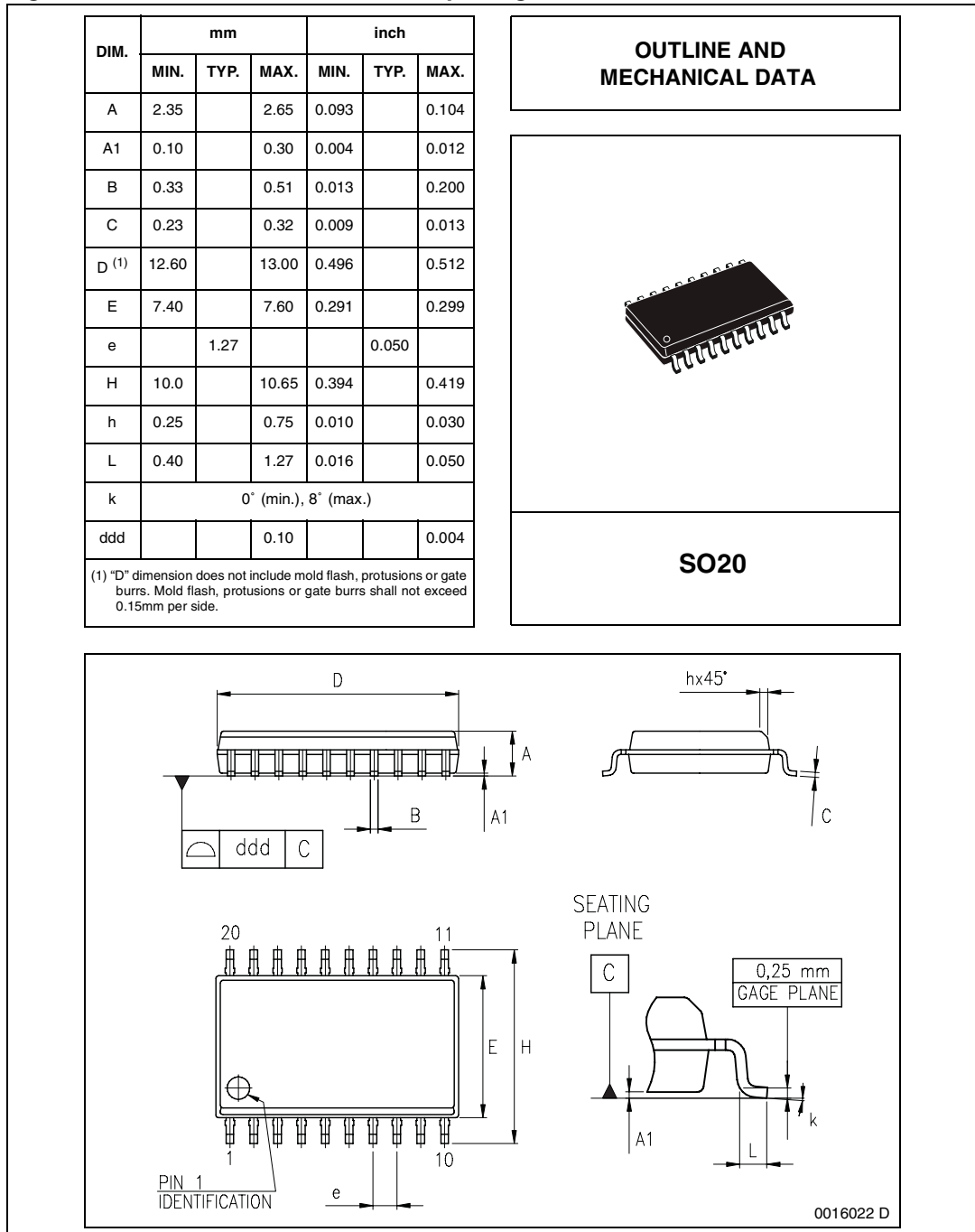
Note: Electromagnetic Emission and Susceptivity is not tested in production.

5 Package information

In order to meet environmental requirements, ST offers these devices in different grades of ECOPACK® packages, depending on their level of environmental compliance. ECOPACK® specifications, grade definitions and product status are available at: www.st.com.

ECOPACK® is an ST trademark.

Figure 14. SO20 mechanical data and package dimensions



6 Revision history

Table 7. Document revision history

Date	Revision	Changes
20-May-2003	1	Initial release.
05-Mar-2008	2	Document reformatted. Modified <i>Figure 6: Application circuit</i> .
01-Feb-2010	3	Updated <i>Table 1: Device summary on page 1</i> .

Please Read Carefully:

Information in this document is provided solely in connection with ST products. STMicroelectronics NV and its subsidiaries ("ST") reserve the right to make changes, corrections, modifications or improvements, to this document, and the products and services described herein at any time, without notice.

All ST products are sold pursuant to ST's terms and conditions of sale.

Purchasers are solely responsible for the choice, selection and use of the ST products and services described herein, and ST assumes no liability whatsoever relating to the choice, selection or use of the ST products and services described herein.

No license, express or implied, by estoppel or otherwise, to any intellectual property rights is granted under this document. If any part of this document refers to any third party products or services it shall not be deemed a license grant by ST for the use of such third party products or services, or any intellectual property contained therein or considered as a warranty covering the use in any manner whatsoever of such third party products or services or any intellectual property contained therein.

UNLESS OTHERWISE SET FORTH IN ST'S TERMS AND CONDITIONS OF SALE ST DISCLAIMS ANY EXPRESS OR IMPLIED WARRANTY WITH RESPECT TO THE USE AND/OR SALE OF ST PRODUCTS INCLUDING WITHOUT LIMITATION IMPLIED WARRANTIES OF MERCHANTABILITY, FITNESS FOR A PARTICULAR PURPOSE (AND THEIR EQUIVALENTS UNDER THE LAWS OF ANY JURISDICTION), OR INFRINGEMENT OF ANY PATENT, COPYRIGHT OR OTHER INTELLECTUAL PROPERTY RIGHT.

UNLESS EXPRESSLY APPROVED IN WRITING BY AN AUTHORIZED ST REPRESENTATIVE, ST PRODUCTS ARE NOT RECOMMENDED, AUTHORIZED OR WARRANTED FOR USE IN MILITARY, AIR CRAFT, SPACE, LIFE SAVING, OR LIFE SUSTAINING APPLICATIONS, NOR IN PRODUCTS OR SYSTEMS WHERE FAILURE OR MALFUNCTION MAY RESULT IN PERSONAL INJURY, DEATH, OR SEVERE PROPERTY OR ENVIRONMENTAL DAMAGE. ST PRODUCTS WHICH ARE NOT SPECIFIED AS "AUTOMOTIVE GRADE" MAY ONLY BE USED IN AUTOMOTIVE APPLICATIONS AT USER'S OWN RISK.

Resale of ST products with provisions different from the statements and/or technical features set forth in this document shall immediately void any warranty granted by ST for the ST product or service described herein and shall not create or extend in any manner whatsoever, any liability of ST.

ST and the ST logo are trademarks or registered trademarks of ST in various countries.

Information in this document supersedes and replaces all information previously supplied.

The ST logo is a registered trademark of STMicroelectronics. All other names are the property of their respective owners.

© 2010 STMicroelectronics - All rights reserved

STMicroelectronics group of companies

Australia - Belgium - Brazil - Canada - China - Czech Republic - Finland - France - Germany - Hong Kong - India - Israel - Italy - Japan - Malaysia - Malta - Morocco - Philippines - Singapore - Spain - Sweden - Switzerland - United Kingdom - United States of America

www.st.com