

RoHS Compliant



Features

- Compliant to RoHS EU Directive 2002/95/EC (Z versions) including screws
- Heat Sink Material: 6063-T5 Aluminum
- Heat Sink Finish: Black anodize per MIL-A-8625, Type II, Class 2
- Size:
 - Length: 2.27 in.
 - Width: 2.40 in.
- Available heights: 1/4", 1/2", 1", 1 1/2"
- Available in Longitudinal and Transverse Orientations
- ISO** 9001 and ISO 14001 certified manufacturing facilities

Description

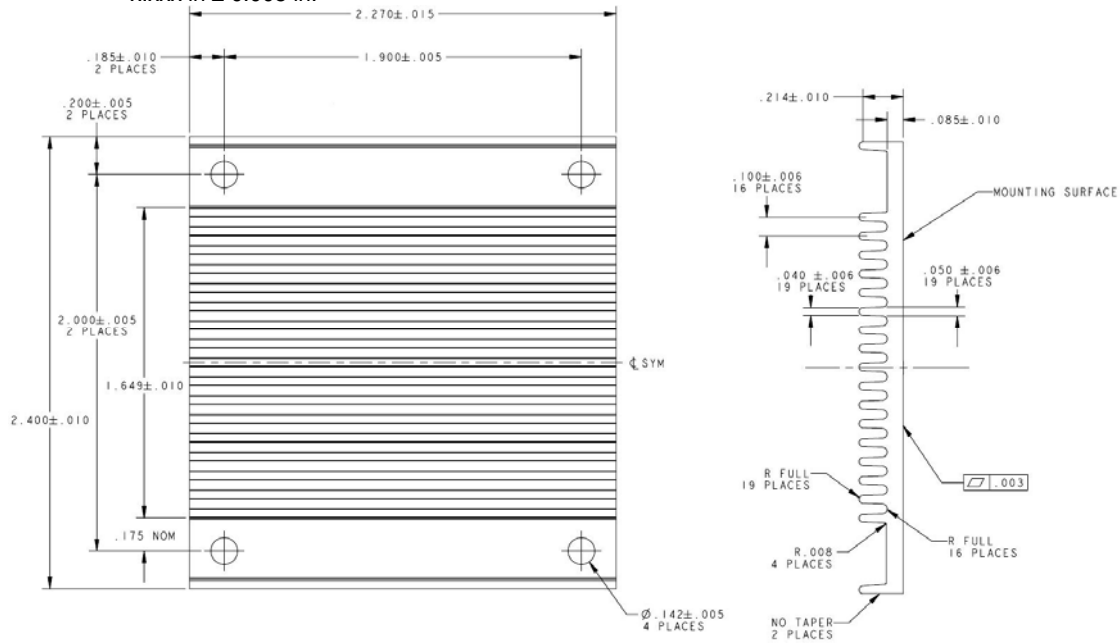
This document contains ordering information for heat sinks to be used with Lineage Power Half Brick power modules equipped with the base plate option (-H option in the module part number). The base plate is factory attached to the module and is designed to make thermal contact with the power dissipating components on the module and conduct this heat to the outer surface of the base plate. If a heat sink is attached to this surface of the base plate, it is possible to deliver increased output power for a specific ambient air temperature and airflow rate. Please consult the individual modules' data sheet for additional thermal and mechanical information on the module's base plate.

These heat sink kits come complete with the heat sink, thermal interface material and attachment screws. It is not possible to order heat sinks attached to modules from the factory. Modules with attached heat sinks can be large and heavy. Suitable shipping packaging material does not exist to insure that no damage occurs to the module/heat sink assembly.

** ISO is a registered trademark of the International Organization of Standards

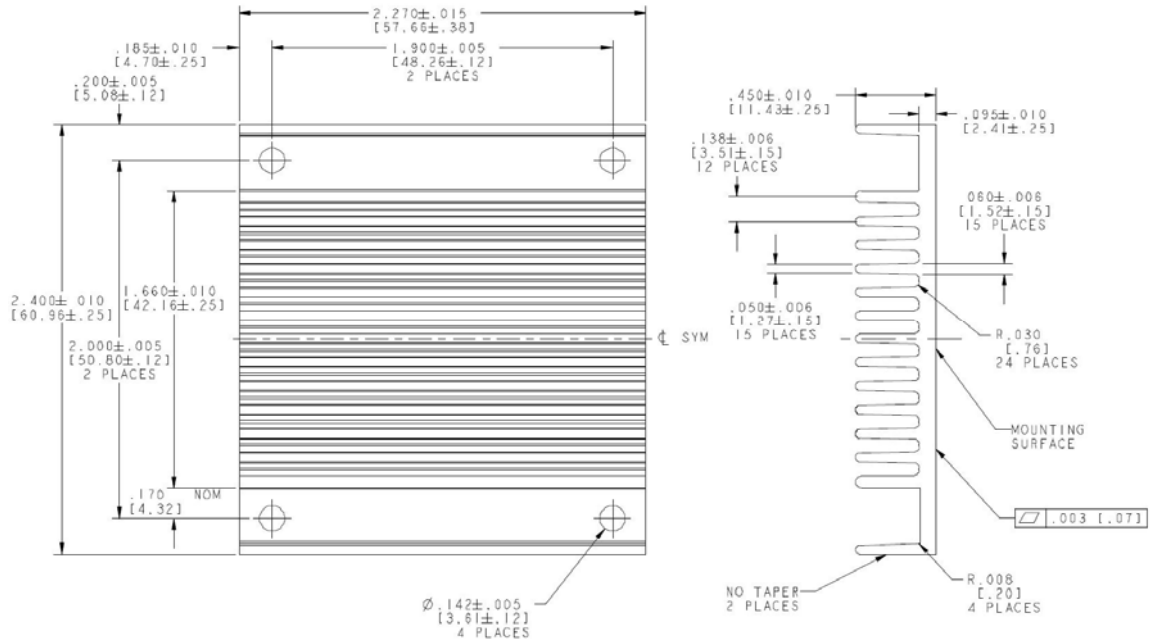
Mechanical Outline 1/4" Transverse

Dimensions are in inches
 Tolerances: x.xx in. ± 0.01 in. [unless otherwise indicated]
 x.xxx in ± 0.005 in.



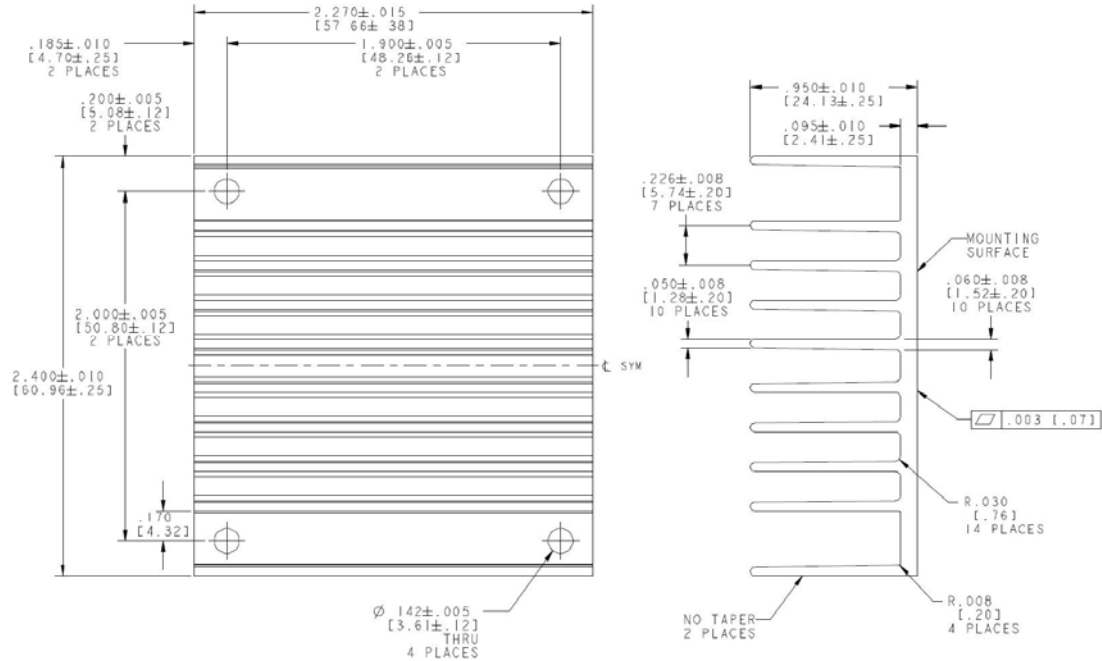
Mechanical Outline 1/2" Transverse

Dimensions are in inches [millimeters]
 Tolerance as indicated



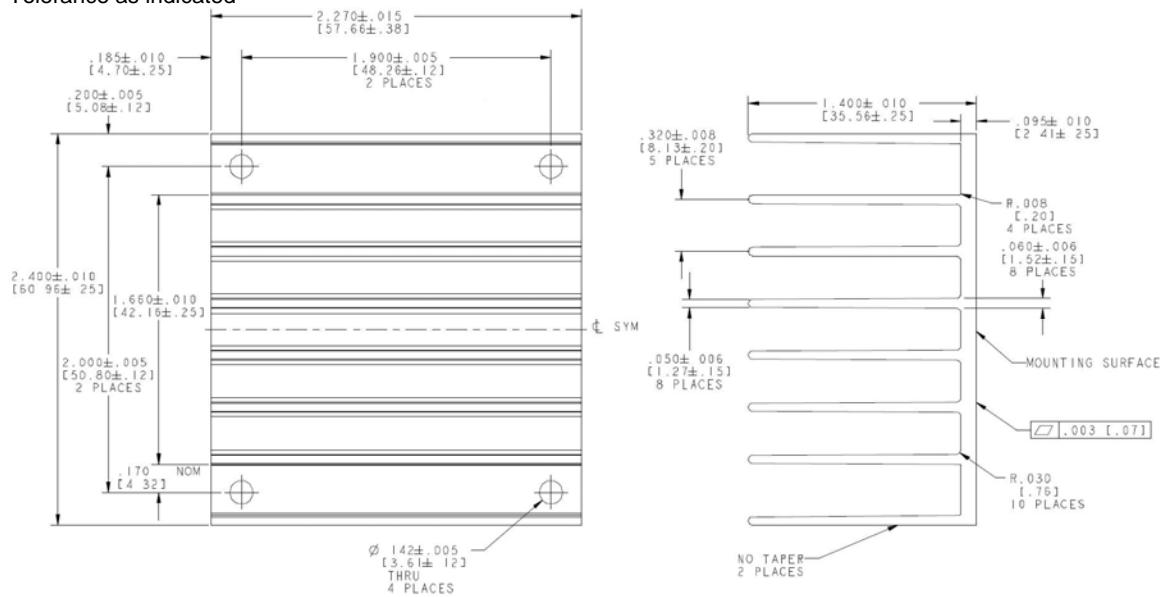
Mechanical Outline 1" Transverse

Dimensions are in inches [millimeters]
 Tolerance as indicated



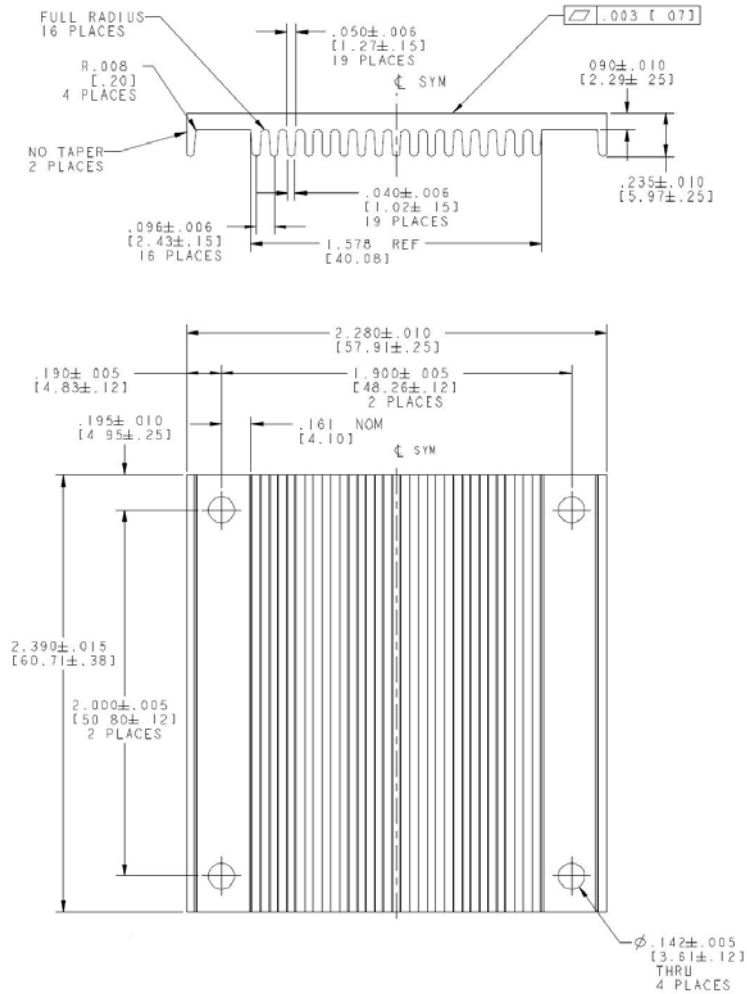
Mechanical Outline 1½" Transverse

Dimensions are in inches [millimeters]
 Tolerance as indicated



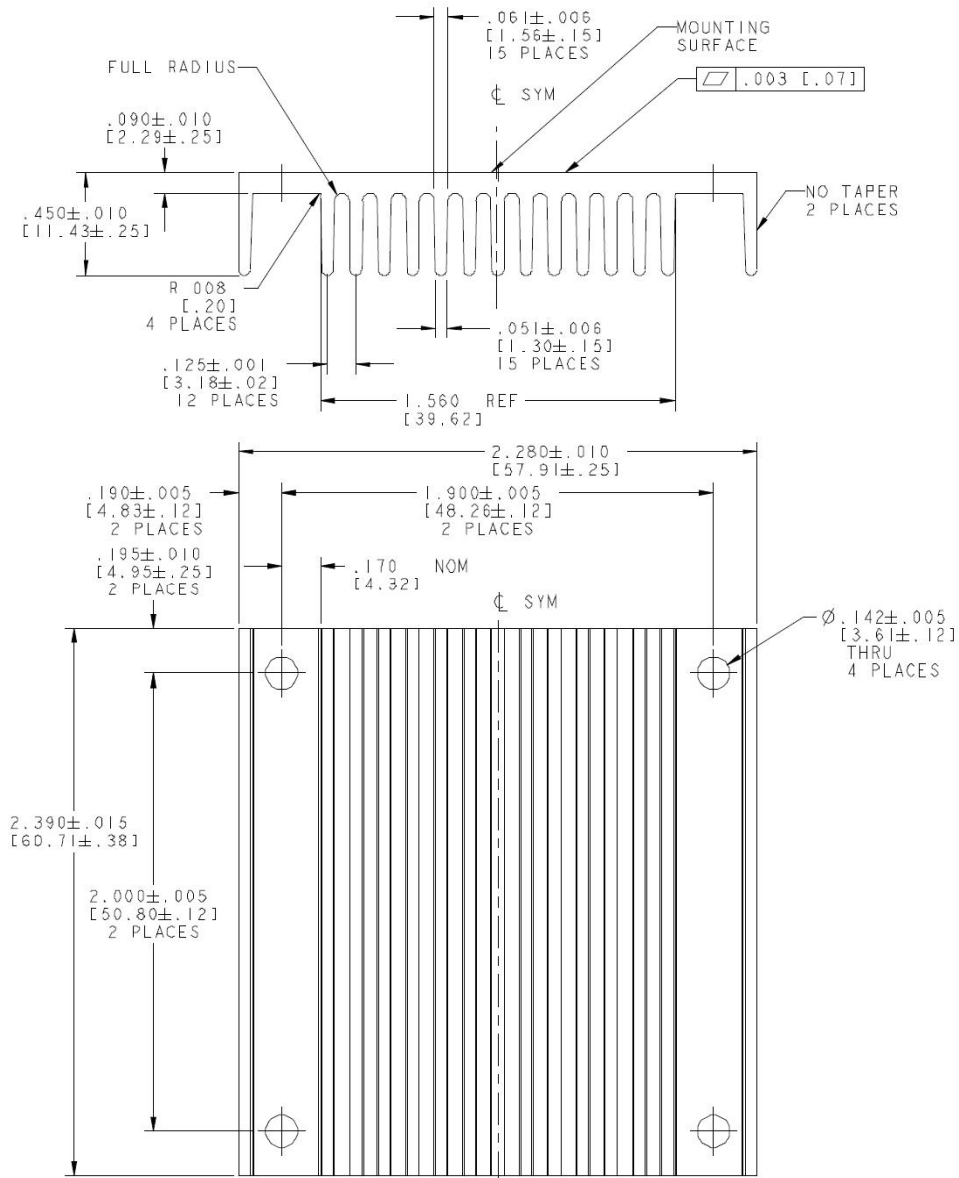
Mechanical Outline 1/4" Longitudinal

Dimensions are in inches [millimeters]
 Tolerance as indicated



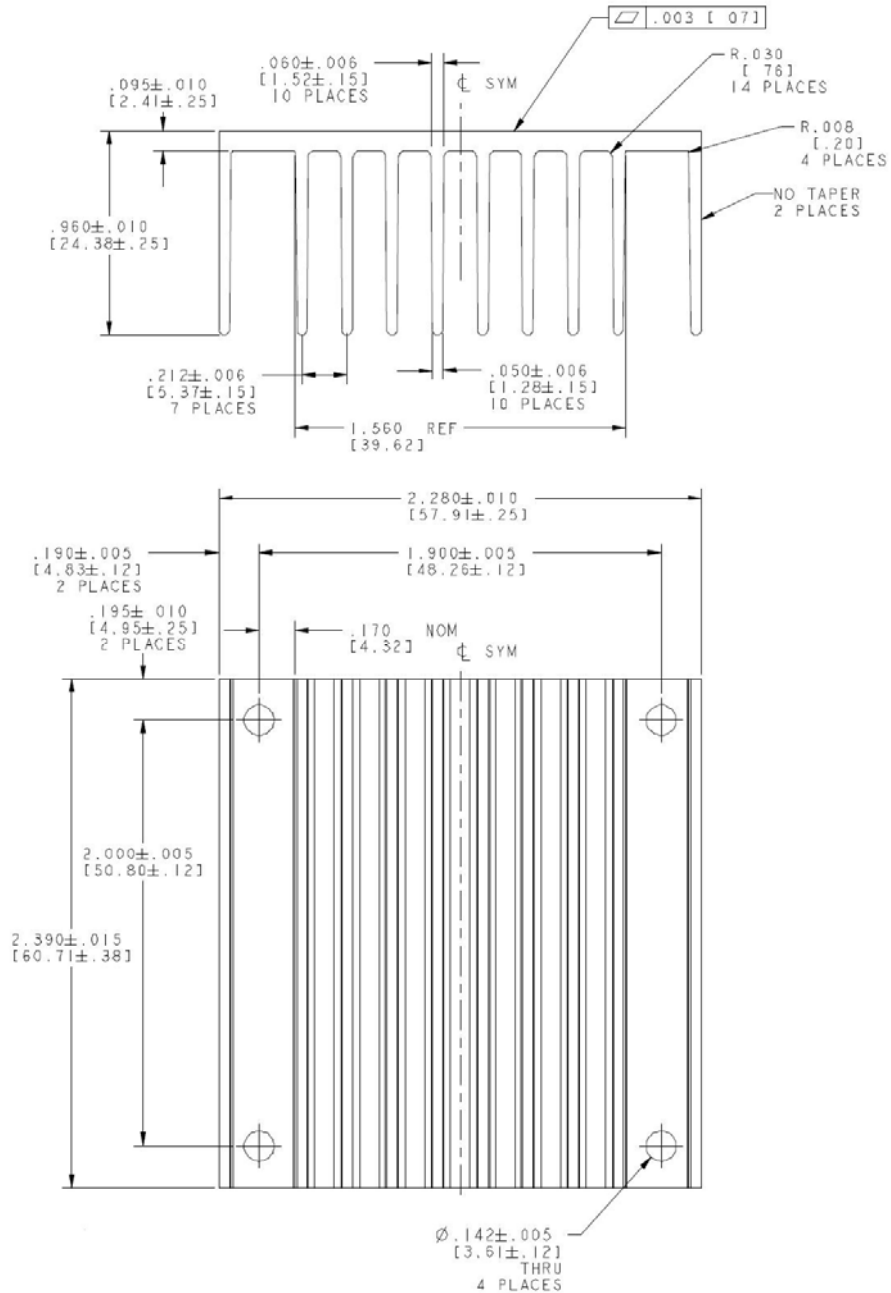
Mechanical Outline 1/2" Longitudinal

Dimensions are in inches [millimeters]
 Tolerance as indicated



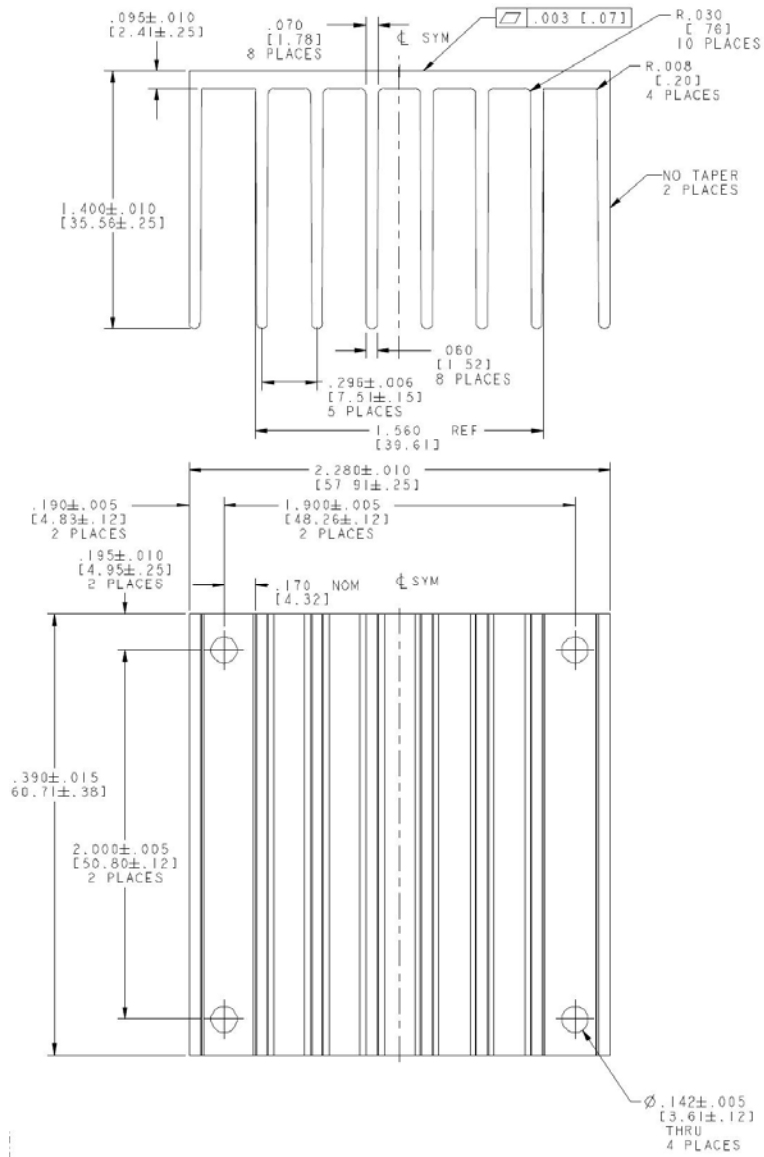
Mechanical Outline 1" Longitudinal

Dimensions are in inches [millimeters]
 Tolerance as indicated



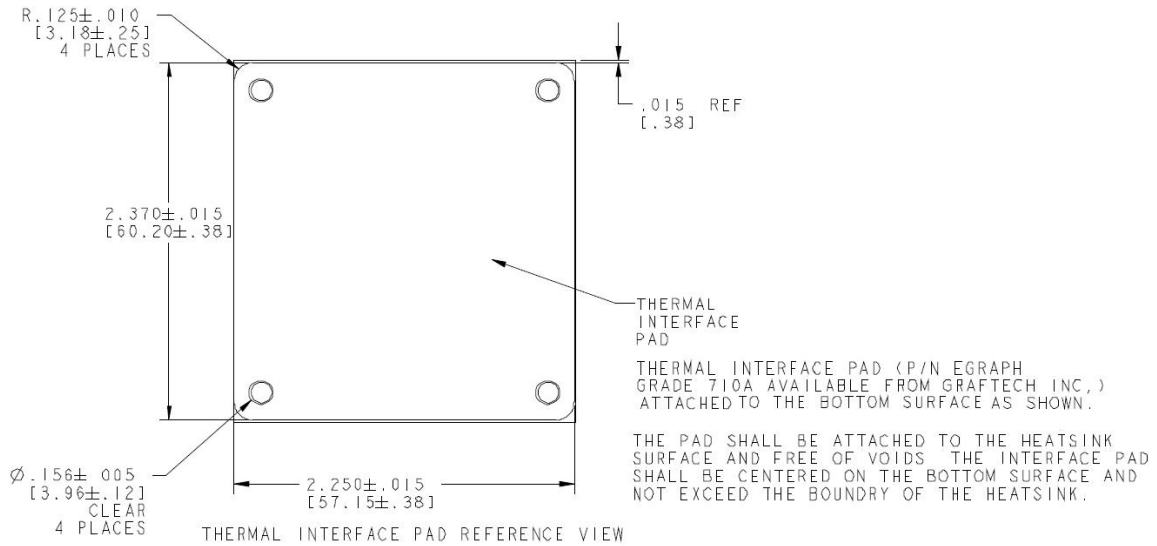
Mechanical Outline 1 1/2" Longitudinal

Dimensions are in inches [millimeters]
 Tolerance as indicated



Mechanical Outline Thermal Pad (same for all heatsinks)

Dimensions are in inches [millimeters]
Tolerance as indicated



Ordering Information

Please contact your Lineage Power Sales Representative for pricing and availability.

Table 1. Device Codes

| Half Brick Series Family Group Heat Sink Kits | | | |
|---|-------------------------|----------------|-------------|
| Part Number | Description | Screw included | Comcode |
| MHST02540Z | 1/4" Transverse Kit | M3 x .5 x 8mm | CC848795591 |
| MHST05040Z | 1/2" Transverse Kit | M3 x .5 x 8mm | CC848795617 |
| MHST10040Z | 1" Transverse Kit | M3 x .5 x 8mm | CC848795633 |
| MHST15040Z | 1 1/2" Transverse Kit | M3 x .5 x 8mm | CC848795658 |
| MHSL02540Z | 1/4" Longitudinal Kit | M3 x .5 x 8mm | CC848795583 |
| MHSL05040Z | 1/2" Longitudinal Kit | M3 x .5 x 8mm | CC848795600 |
| MHSL10040Z | 1" Longitudinal Kit | M3 x .5 x 8mm | CC848795625 |
| MHSL15040Z | 1 1/2" Longitudinal Kit | M3 x .5 x 8mm | CC848795641 |

-Z Indicates RoHS Compliant Versions



World Wide Headquarters
Lineage Power Corporation
601 Shiloh Road, Plano, TX 75074, USA
+1-800-526-7819
(Outside U.S.A.: **+1-972-244-9428**)
www.lineagepower.com
e-mail: techsupport1@lineagepower.com

Asia-Pacific Headquarters
Tel: +65 6593 7211

Europe, Middle-East and Africa Headquarters
Tel: +49 898 780 672 80

India Headquarters
Tel: +91 80 28411633

Lineage Power reserves the right to make changes to the product(s) or information contained herein without notice. No liability is assumed as a result of their use or application. No rights under any patent accompany the sale of any such product(s) or information.

Lineage Power DC-DC products are protected under various patents. Information on these patents is available at www.lineagepower.com/patents.

© 2009 Lineage Power Corporation, (Plano, Texas) All International Rights Reserved.