



# EMIF01-10005W5

Application Specific Discretés  
A.S.D.<sup>TM</sup>

EMI FILTER  
INCLUDING ESD PROTECTION

## MAIN APPLICATIONS

Where EMI filtering in ESD sensitive equipment is required :

- Computers and printers
- Communication systems
- Mobile phones
- MCU Boards

## DESCRIPTION

The EMIF01-10005W5 is a highly integrated array designed to suppress EMI / RFI noise in all systems subjected to electromagnetic interferences.

Additionally, this filter includes an ESD protection circuitry which prevents the protected device from destruction when subjected to ESD surges up to 15 kV.

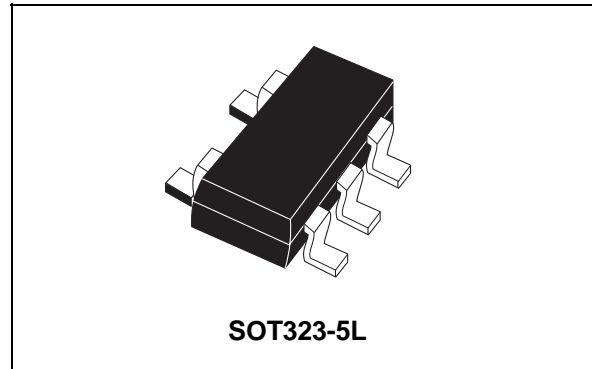
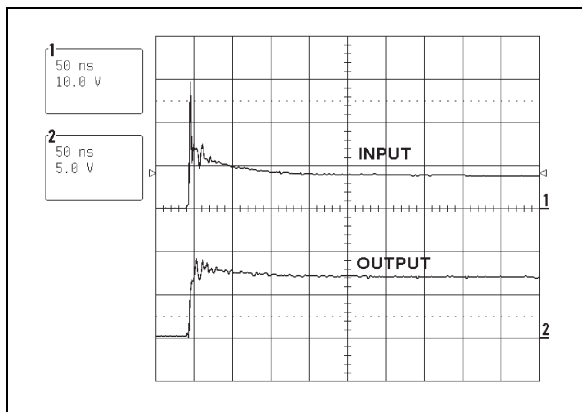
## BENEFITS

- Cost-effectiveness compared to discrete solution
- EMI bi-directional low-pass filter
- High efficiency in ESD suppression.
- High flexibility in the design of high density boards
- Very low PCB space consuming : 4.2 mm<sup>2</sup> typically
- High reliability offered by monolithic integration

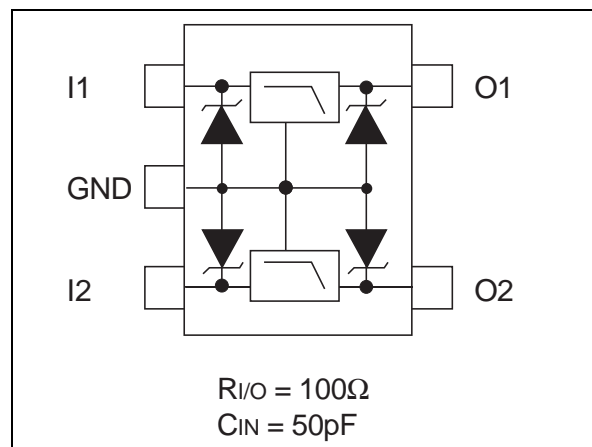
## COMPLIES WITH THE FOLLOWING STANDARD:

IEC 1000-4-2	15kV	(air discharge)
	8 kV	(contact discharge)

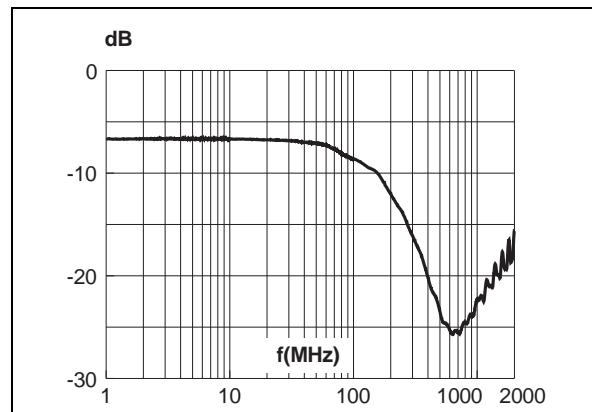
## ESD response to IEC1000-4-2 (16 kV air discharge)



## FUNCTIONAL DIAGRAM



## Filtering response



<sup>TM</sup> : ASD is trademark of STMicroelectronics.

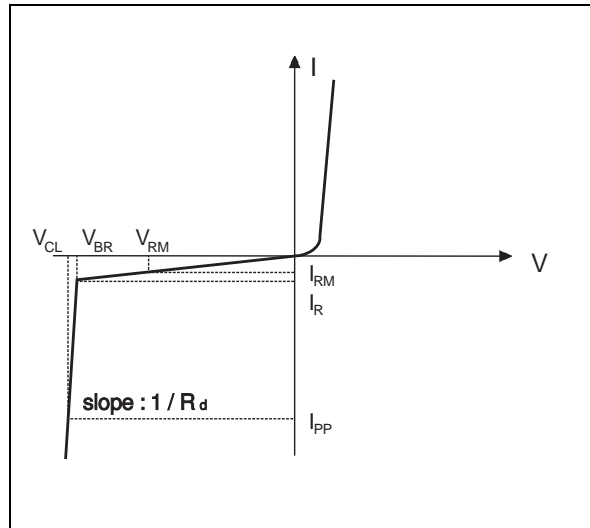
## EMIF01-10005W5

### ABSOLUTE MAXIMUM RATINGS ( $T_{amb} = 25\text{ }^{\circ}\text{C}$ )

Symbol	Parameter and test conditions	Value	Unit
$V_{PP}$	ESD discharge IEC1000-4-2, air discharge ESD discharge IEC1000-4-2, contact discharge	16 9	kV
$T_j$	Junction temperature	150	$^{\circ}\text{C}$
$T_{op}$	Operating temperature range	-40 to + 85	$^{\circ}\text{C}$
$T_{stg}$	Storage temperature range	-55 to +150	$^{\circ}\text{C}$
$T_L$	Lead solder temperature (10 second duration)	260	$^{\circ}\text{C}$

### ELECTRICAL CHARACTERISTICS ( $T_{amb} = 25\text{ }^{\circ}\text{C}$ )

Symbol	Parameter
$V_{BR}$	Breakdown voltage
$I_{RM}$	Leakage current @ $V_{RM}$
$V_{RM}$	Stand-off voltage
$V_{CL}$	Clamping voltage
$R_d$	Dynamic impedance
$I_{PP}$	Peak pulse current
$R_{I/O}$	Series resistance between Input and Output
$C_{IN}$	Input capacitance per line



Symbol	Test conditions	Min.	Typ.	Max.	Unit
$V_{BR}$	$I_R = 1\text{ mA}$	6	7	8	V
$I_{RM}$	$V_{RM} = 3\text{ V}$			1	$\mu\text{A}$
$R_{I/O}$		80	100	120	$\Omega$
$R_d$	$I_{pp} = 10\text{ A}$ , $t_p = 2.5\text{ }\mu\text{s}$ (see note 1)		1		$\Omega$
$C_{IN}$	at 0V bias		50		pF

Note 1 : to calculate the ESD residual voltage, please refer to the paragraph "ESD PROTECTION" on pages 4 & 5

## TECHNICAL INFORMATION

### FREQUENCY BEHAVIOR

The EMIF01-10005W5 is firstly designed as an EMI/RFI filter. This low-pass filter is characterized by the following parameters:

- Cut-off frequency
- Insertion loss
- High frequency rejection

**Fig A1:** EMIF01-10005W5 frequency response curve.

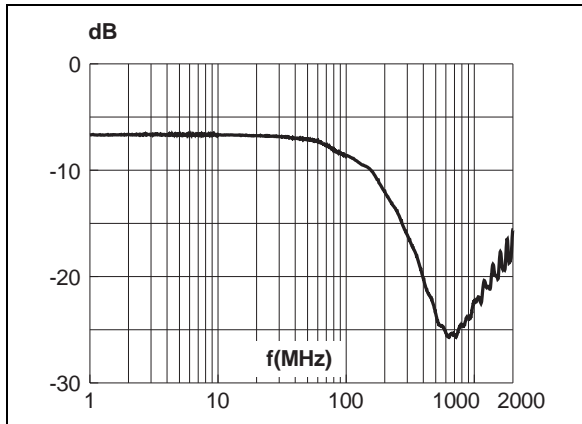
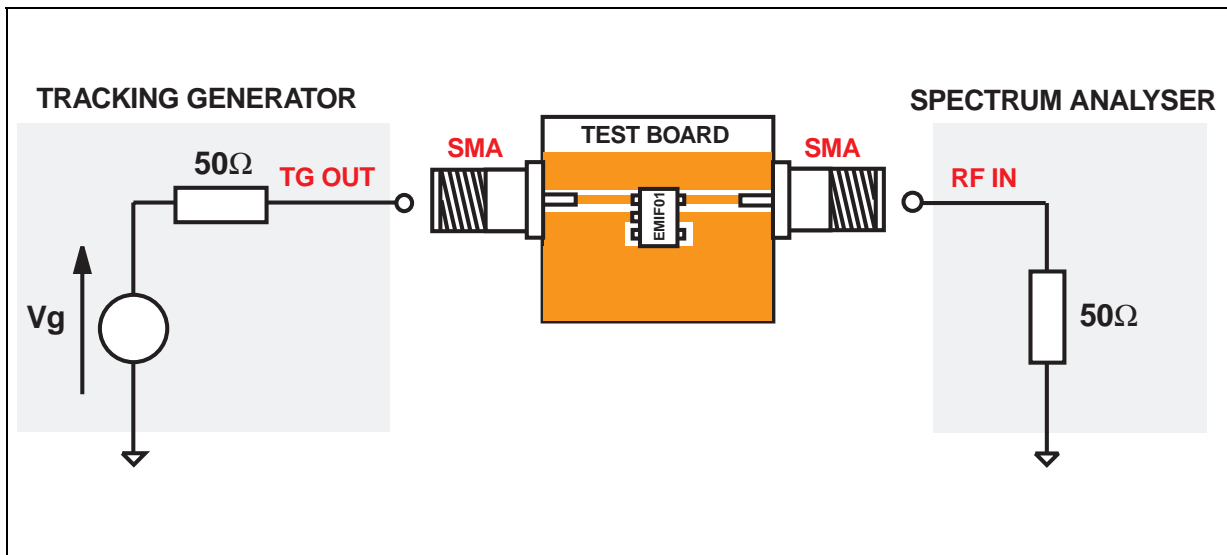


Figure A1 gives these parameters, in particular the signal rejection at the GSM frequency is about -24dB at 900MHz,

**Fig A2:** Measurement conditions



## EMIF01-10005W5

### ESD PROTECTION

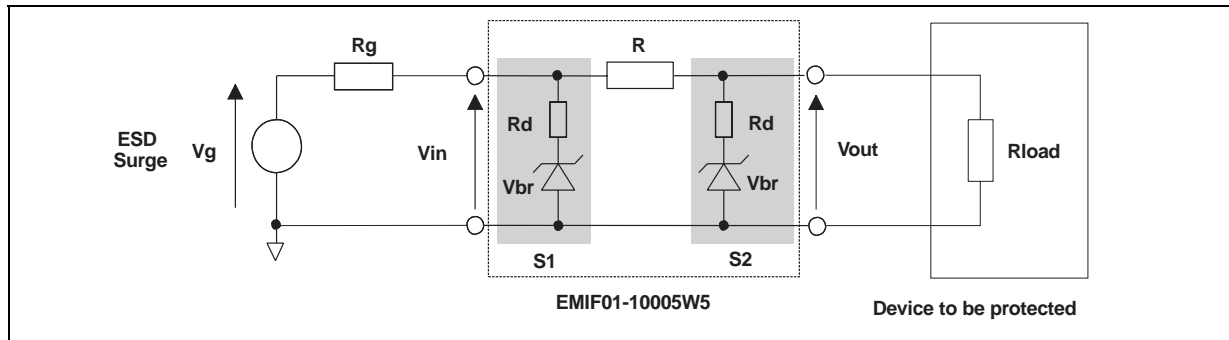
In addition to its filtering function, the EMIF01-10005W5 is particularly optimized to perform ESD protection.

ESD protection is based on the use of device which clamps at :

$$V_{CL} = V_{BR} + R_d \cdot I_{PP}$$

This protection function is splitted in 2 stages. As shown in figure A3, the ESD strikes are clamped by the first stage S1 and then its remaining overvoltage is applied to the second stage through the resistor R. Such a configuration makes the output voltage very low at the Vout level.

**Fig A3 : ESD clamping behavior**



To have a good approximation of the remaining voltages at both Vin and Vout stages, we provide the typical dynamical resistance value Rd. By taking into account these following hypothesis :  $R \gg R_d$ ,  $R_G \gg R_d$  and  $R_{load} \gg R_d$ , it gives these formulas:

$$V_{in} = \frac{R_g \cdot V_{br} + R_d \cdot V_g}{R_g}$$

$$V_{out} = \frac{R \cdot V_{br} + R_d \cdot V_{in}}{R}$$

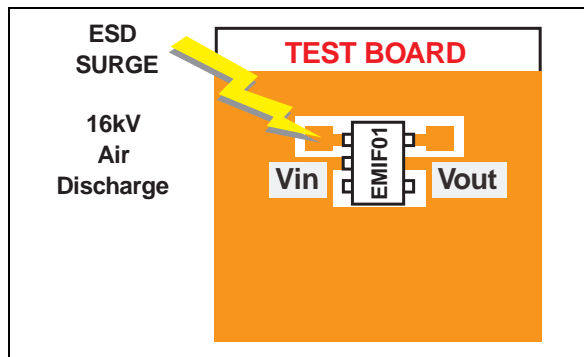
The results of the calculation done for  $V_G=8kV$ ,  $R_G=330\Omega$  (IEC1000-4-2 standard) and  $V_{BR}=7V$  (typ.) give:

$$V_{in} = 31.2 \text{ V}$$

$$\mathbf{V_{out} = 7.3 \text{ V}}$$

This confirms the very low remaining voltage across the device to be protected. It is also important to note that in this approximation the parasitic inductance effect was not taken into account. This could be few tenths of volts during few ns at the Vin side. This parasitic effect is not present at the Vout side due the low current involved after the resistance R.

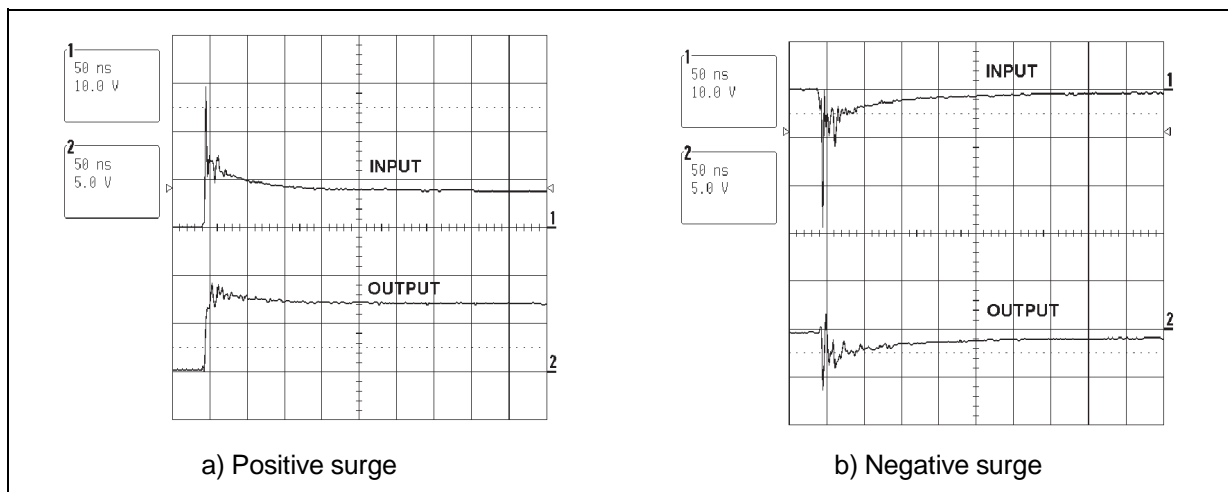
**Fig A4 : Measurement conditions**



The measurements shown here after illustrate very clearly (Fig. A5a) the high efficiency of the ESD protection :

- no influence of the parasitic inductances on Vout stage
- Vout clamping voltage very close to  $V_{BR}$

**Fig A5 :** Remaining voltage at both stages S1 ( $V_{in}$ ) and S2 ( $V_{out}$ ) during ESD surge

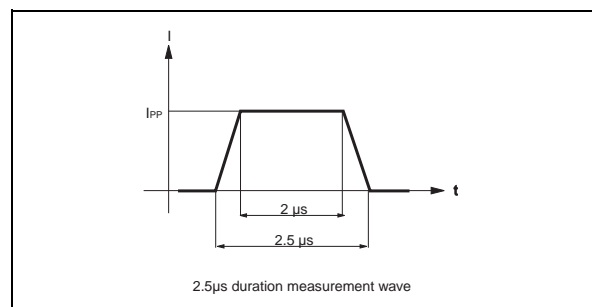


Please note that the EMIF01-10005W5 is not only acting for positive ESD surges but also for negative ones. For these kind of disturbances it clamps close to ground voltage as shown in Fig. A5b.

#### NOTE: DYNAMIC RESISTANCE MEASUREMENT

As the value of the dynamic resistance remains stable for a surge duration lower than  $20\mu\text{s}$ , the  $2.5\mu\text{s}$  rectangular surge is well adapted. In addition both rise and fall times are optimized to avoid any parasitic phenomenon during the measurement of  $R_d$ .

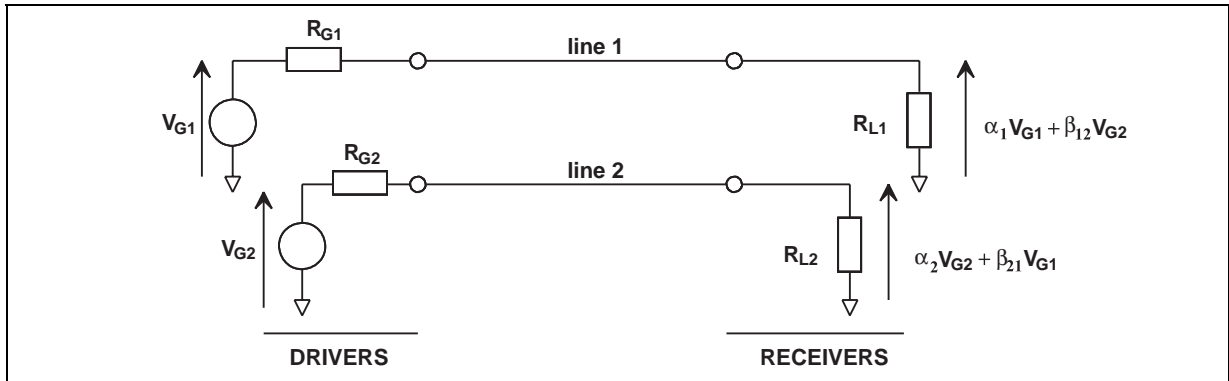
**Fig A6 :**  $R_d$  measurement current wave



**CROSSTALK BEHAVIOR**

**1- Crosstalk phenomena**

**Fig A7 :** Crosstalk phenomena



**2- Digital Crosstalk**

**Fig A8 :** Digital crosstalk measurement

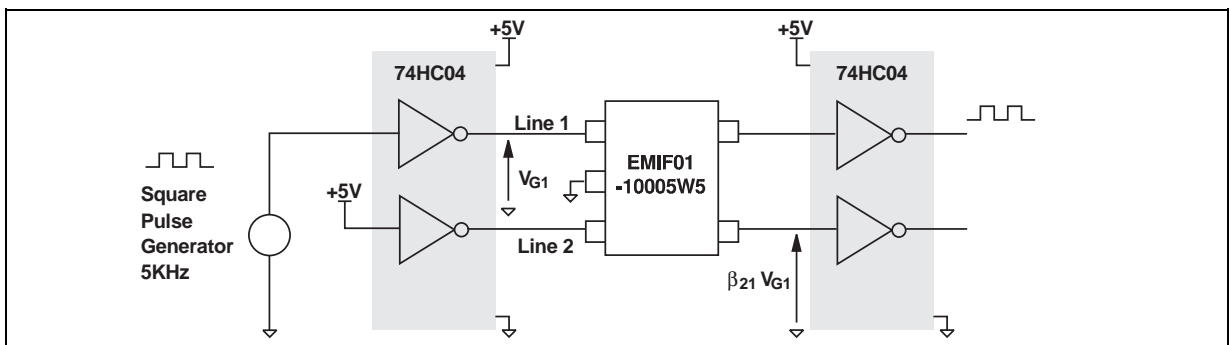
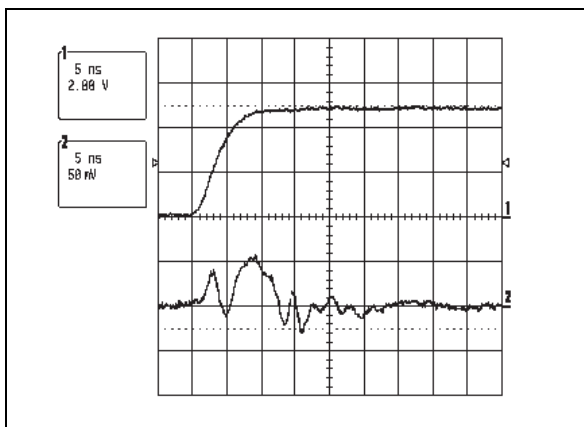


Figure A8 shows the measurement circuit used to quantify the crosstalk effect in a classical digital application.

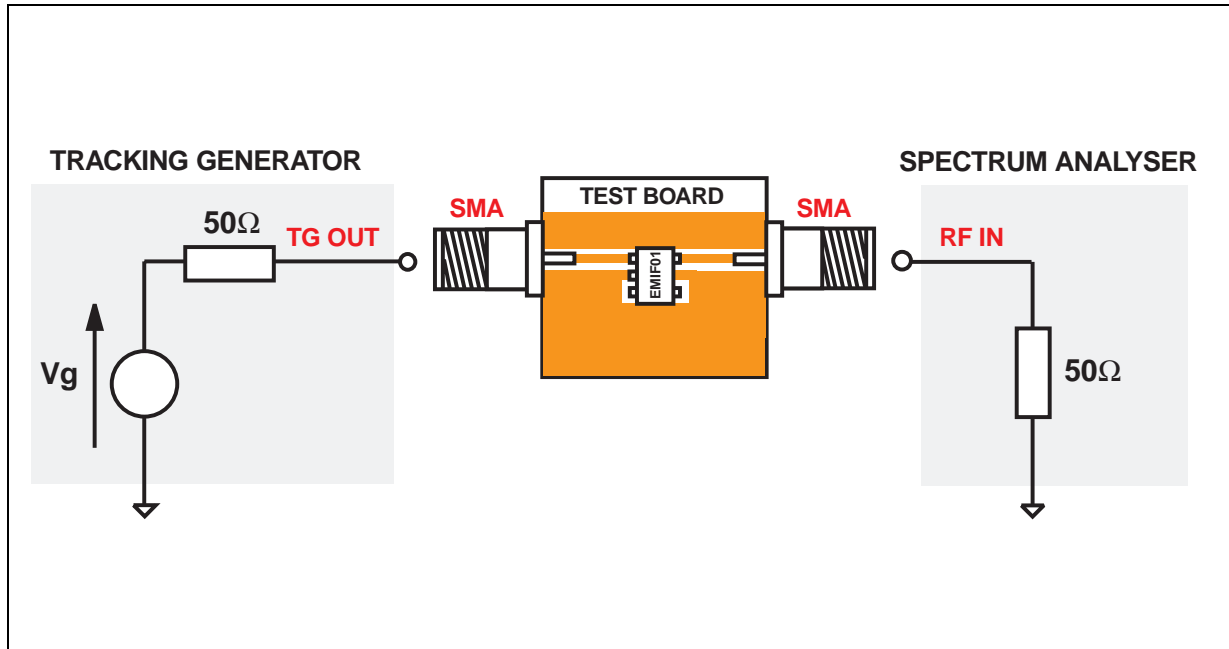
Figure A9 shows that in such a condition signal from 0 to 5V and rise time of 3 ns, the impact on the disturbed line is less than 100mV peak to peak. No data disturbance was noted on the concerned line. The same results were obtained with falling edges.

**Fig A9 :** Digital crosstalk results



### 3- Analog Crosstalk

**Fig A10 :** Analog crosstalk measurement



**Fig A11 :** Typical analog crosstalk result

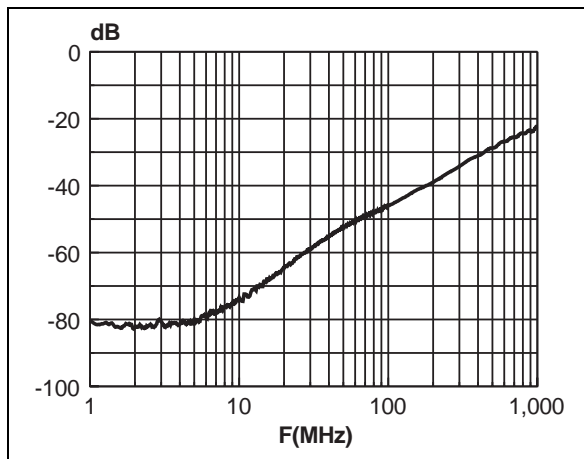
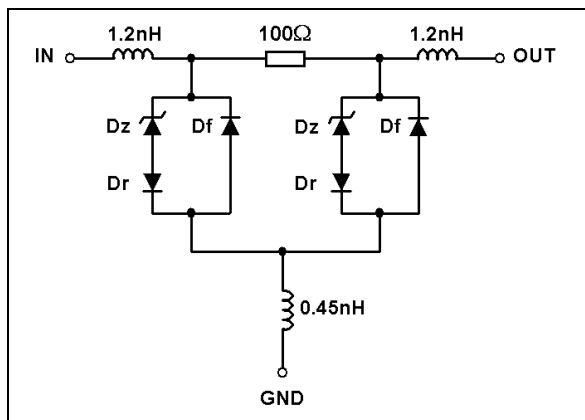


Figure A10 gives the measurement circuit for the analog application. In figure A11, the curve shows the effect of cell I/O1 on cell I/O2. In usual frequency range of analog signals (up to 100MHz) the effect on disturbed line is less than -43 dB.

# EMIF01-10005W5

## 4 - PSpice model

**Fig A12:** PSpice model of one EMIF01 cell



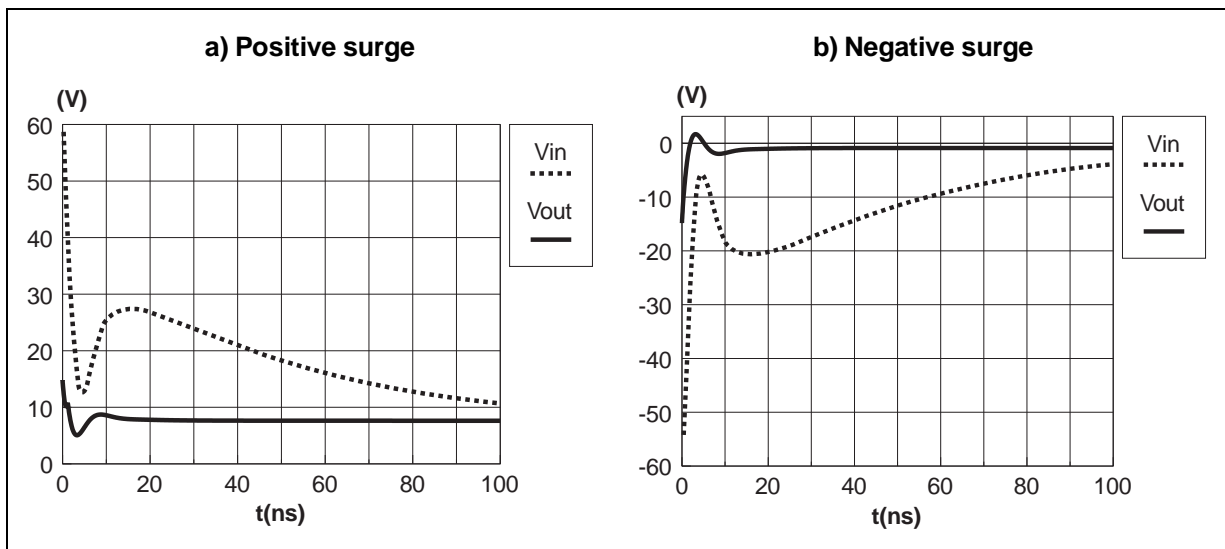
**Fig A13:** PSpice parameters

	Dz	Df	Dr
<b>BV</b>	7	1000	1000
<b>Cjo</b>	25p	25p	1p
<b>IBV</b>	100u	100u	100u
<b>IKF</b>	1000	1000	1000
<b>IS</b>	10E-15	1.016E-15	10E-15
<b>ISR</b>	100p	100p	100p
<b>N</b>	1	1.0755	0.6
<b>M</b>	0.3333	0.3333	0.3333
<b>RS</b>	1	1	1m
<b>VJ</b>	0.6	0.6	0.6
<b>TT</b>	50n	50n	1n

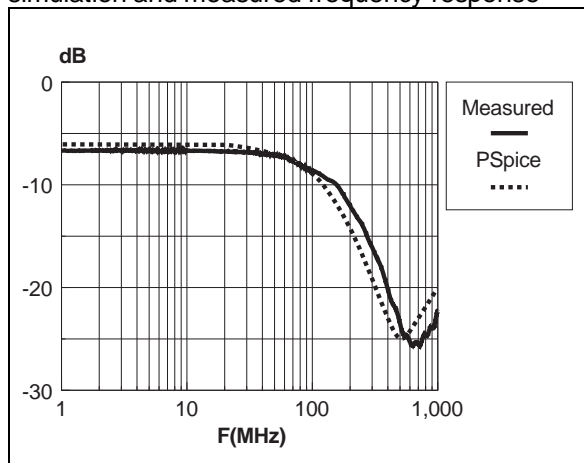
of 27°C

**Note** This model is available for an ambient temperature

**Fig. A14:** PSpice simulation : IEC 1000-4-2 Contact Discharge response

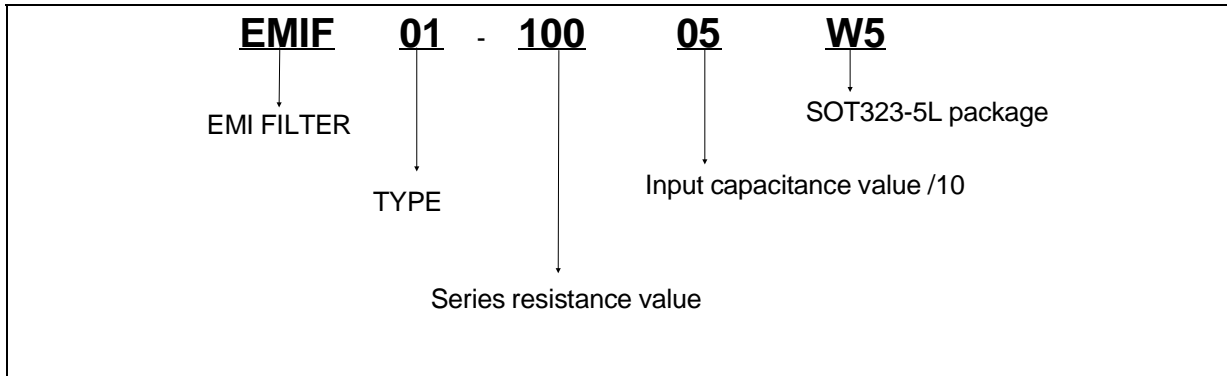


**Fig A15:** Comparison between PSpice simulation and measured frequency response





ORDER CODE

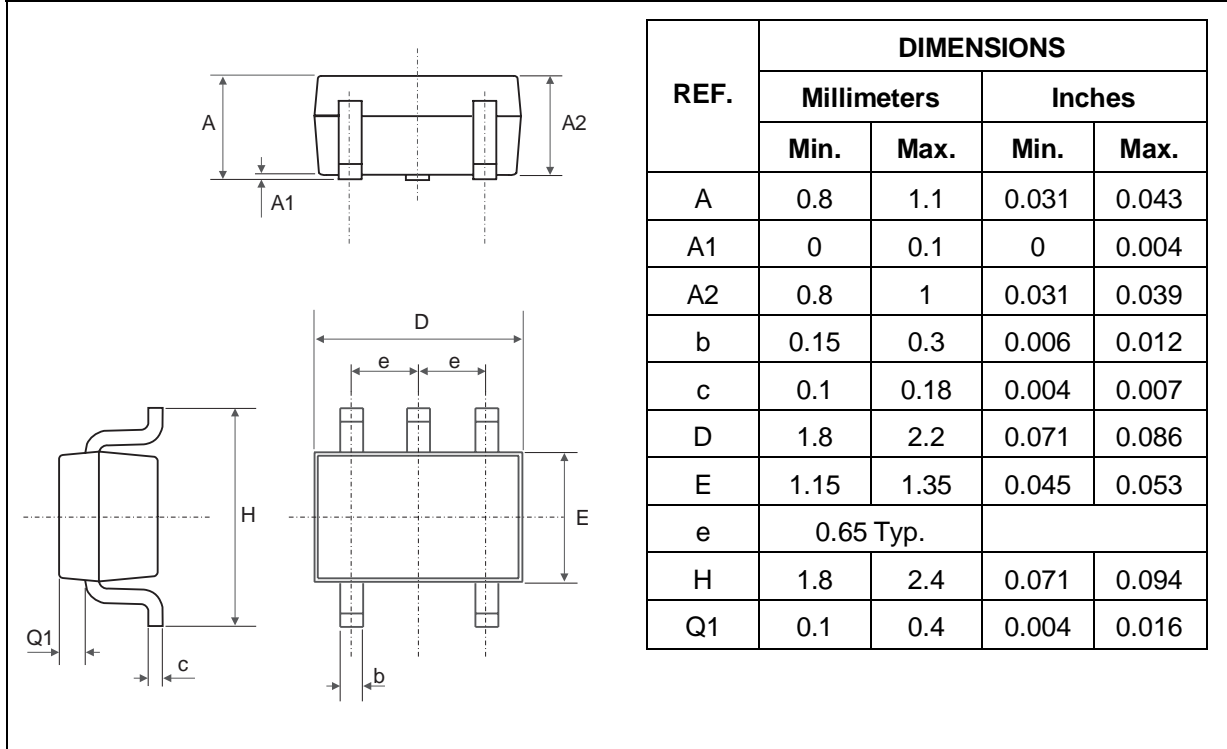


Order code	Marking	Package	Weight	Base qty	Delivery mode
EMIF01-10005W5	M12	SOT323-5L	5.4 mg	3000	Tape & reel

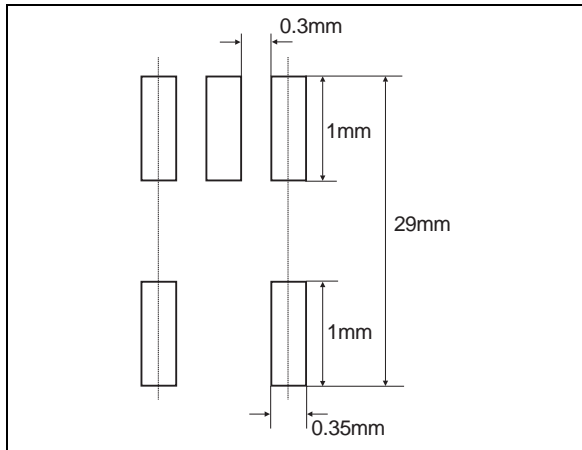
# EMIF01-1005W5

## PACKAGE MECHANICAL DATA

### SOT323-5L



## RECOMMENDED FOOTPRINT



Mechanical specifications	
Lead plating	Tin-lead
Lead plating thickness	5µm min. 25 µm max.
Lead material	Sn / Pb (70% to 90% Sn)
Lead coplanarity	100µm max.
Body material	Molded epoxy
Flammability	UL94V-0

Information furnished is believed to be accurate and reliable. However, STMicroelectronics assumes no responsibility for the consequences of use of such information nor for any infringement of patents or other rights of third parties which may result from its use. No license is granted by implication or otherwise under any patent or patent rights of STMicroelectronics. Specifications mentioned in this publication are subject to change without notice. This publication supersedes and replaces all information previously supplied. STMicroelectronics products are not authorized for use as critical components in life support devices or systems without express written approval of STMicroelectronics.

The ST logo is a registered trademark of STMicroelectronics

© 1999 STMicroelectronics - Printed in Italy - All rights reserved.

STMicroelectronics GROUP OF COMPANIES

Australia - Brazil - China - Finland - France - Germany - Hong Kong - India - Italy - Japan - Malaysia  
Malta - Morocco - Singapore - Spain - Sweden - Switzerland - United Kingdom - U.S.A.

<http://www.st.com>