

## 3-line IPAD™ EMI filter including ESD protection

### Features

- EMI symmetrical (I/O) low-pass filter
- high efficiency in EMI filtering
- lead-free coated package
- very low PCB space occupation:
  - 1.42 mm x 1.42 mm
- very thin package: 0.65 mm
- high efficiency in ESD suppression
- high reliability offered by monolithic integration
- high reduction of parasitic elements through integration and wafer level packaging

### Complies with following standards:

- IEC 61000-4-2 level 4 on external and  $V_{CC}$  pins:
  - 15 kV (air discharge)
  - 8 kV (contact discharge)
- MIL STD 883G - Method 3015-7 Class 3

### Applications

Where EMI filtering in ESD sensitive equipment is required:

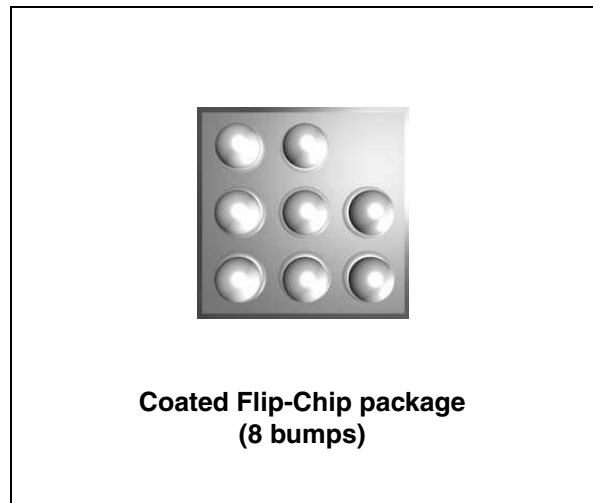
- SIM Interface (subscriber identify module)
- UIM Interface (universal identify module)

### Description

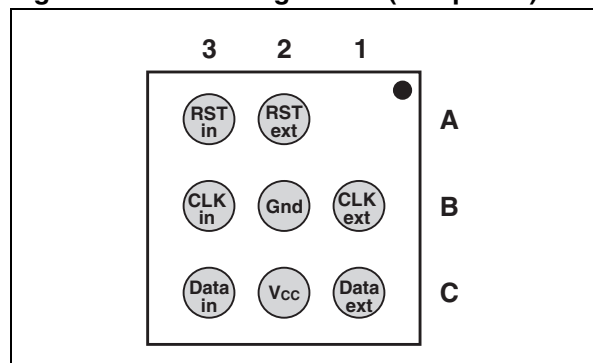
The EMIF03-SIM02C2 is a highly integrated device designed to suppress EMI/RFI noise in all systems subjected to electromagnetic interference. The EMIF03 Flip-Chip packaging means the package size is equal to the die size.

This filter includes an ESD protection circuitry which protects the application from damage when subjected to ESD surges up to 15 kV.

TM: IPAD is a trademark of STMicroelectronics

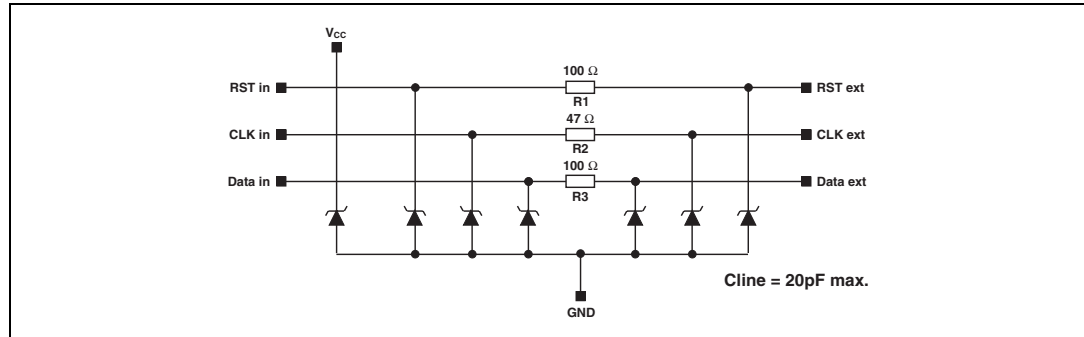


**Figure 1. Pin configuration (bump side)**



# 1 Characteristics

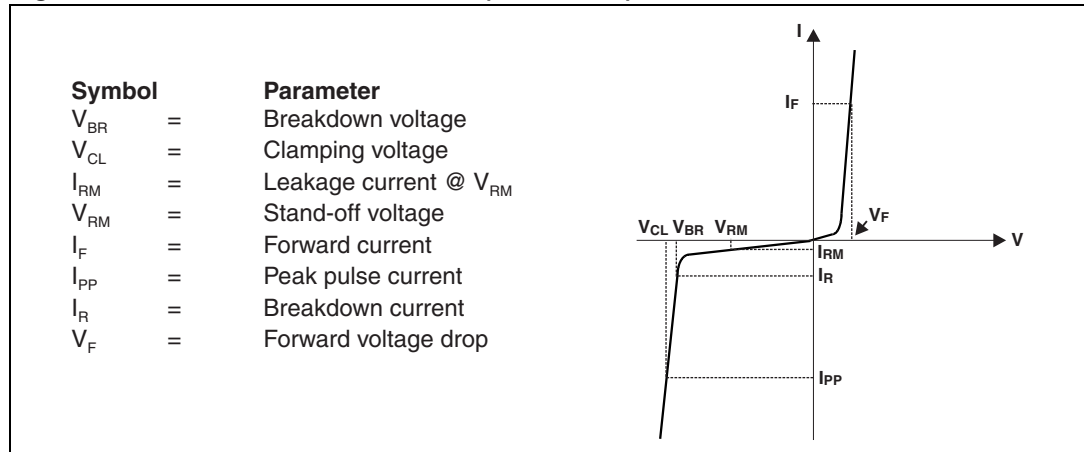
**Figure 2. Basic cell configuration**



**Table 1. Absolute ratings (limiting values)**

Symbol	Parameter	Value	Unit
$V_{PP}$	<b>Internal pins (A3, B3, C3):</b>		
	ESD discharge IEC61000-4-2, air discharge	2	kV
	ESD discharge IEC61000-4-2, contact discharge	2	
	<b>External pins (A2, B1, C2, C1):</b>		
ESD discharge IEC61000-4-2, air discharge	15		
	ESD discharge IEC61000-4-2, contact discharge	8	
$T_j$	Maximum junction temperature	125	°C
$T_{op}$	Operating temperature range	-40 to +85	°C
$T_{stg}$	Storage temperature range	-55 to +150	°C

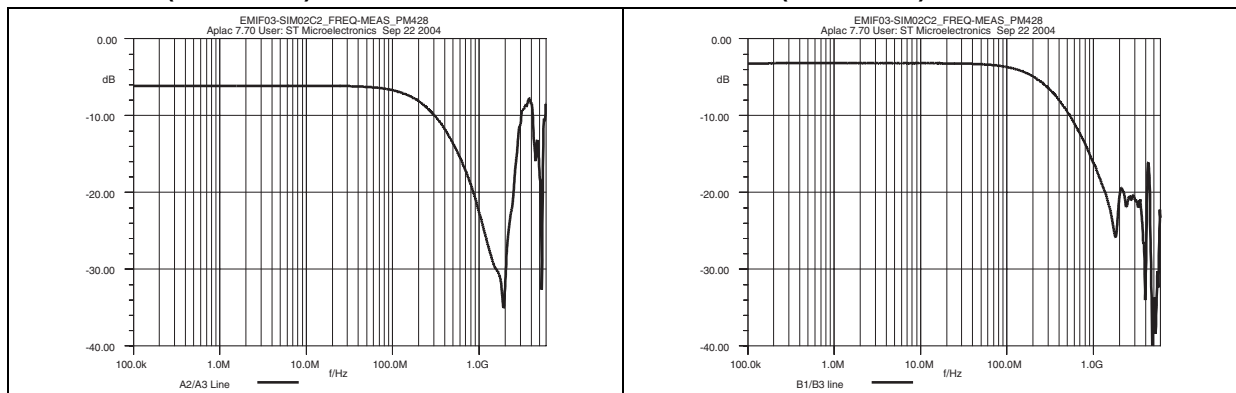
**Figure 3. Electrical characteristics (definitions)**



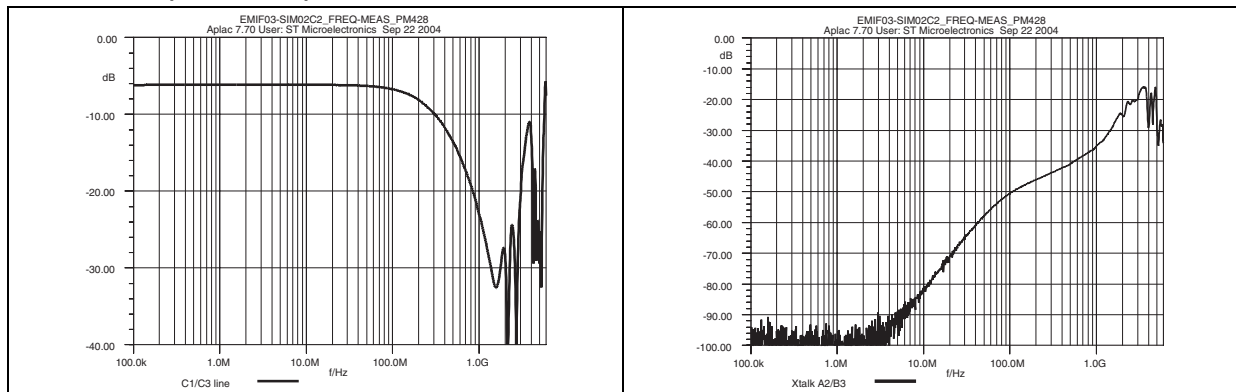
**Table 2. Electrical characteristics, parameter values**

Symbol	Test conditions	Min	Typ	Max	Unit
$V_{BR}$	$I_R = 1 \text{ mA}$	6		20	V
$I_{RM}$	$V_{RM} = 3 \text{ V}$			0.2	$\mu\text{A}$
$R_d$			1.5		$\Omega$
$R_1, R_3$	Tolerance $\pm 20\%$		100		
$R_2$	Tolerance $\pm 20\%$		47		
$C_{line}$	$V_R = 0 \text{ V}$			20	pF

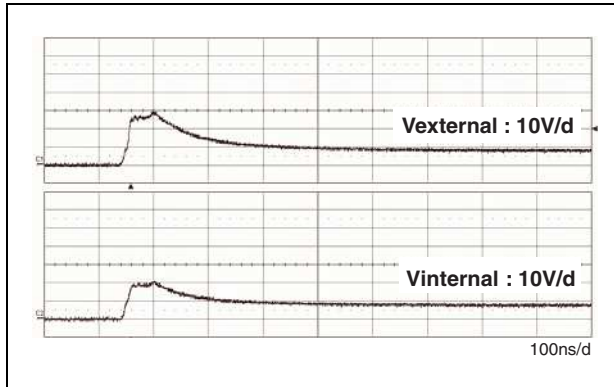
**Figure 4. S21 (dB) attenuation measurement (A2-A3 line)**      **Figure 5. S21 (dB) attenuation measurement (B1-B3 line)**



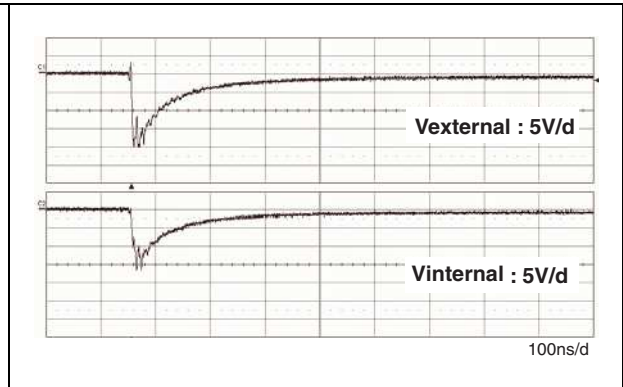
**Figure 6. S21 (dB) attenuation measurement (C1-C3 line)**      **Figure 7. Analog crosstalk measurements (A2/B3)**



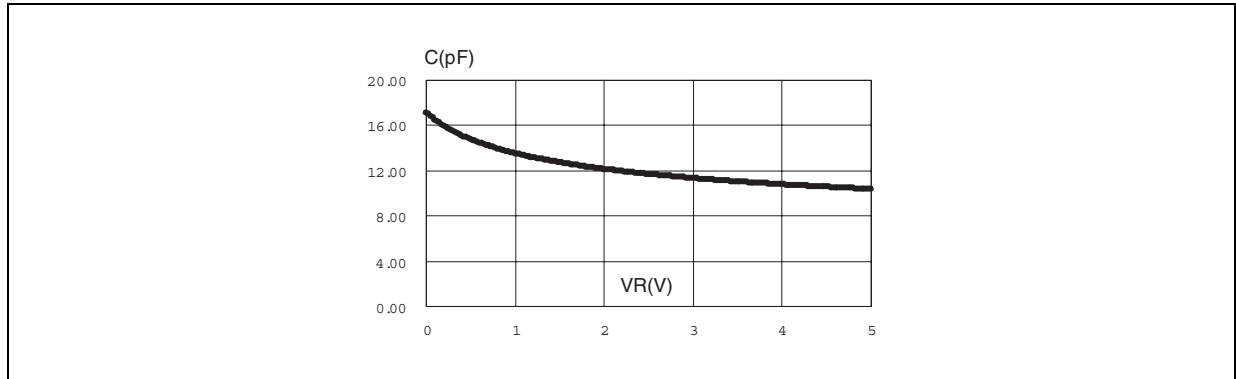
**Figure 8. Voltages when IEC 61000-4-2 (+15 kV air discharge) applied to external pin**



**Figure 9. Voltages when IEC 61000-4-2 (-15 kV air discharge) applied to external pin**



**Figure 10. Line capacitance versus reverse applied voltage (typical)**



**Figure 11. Aplac model**

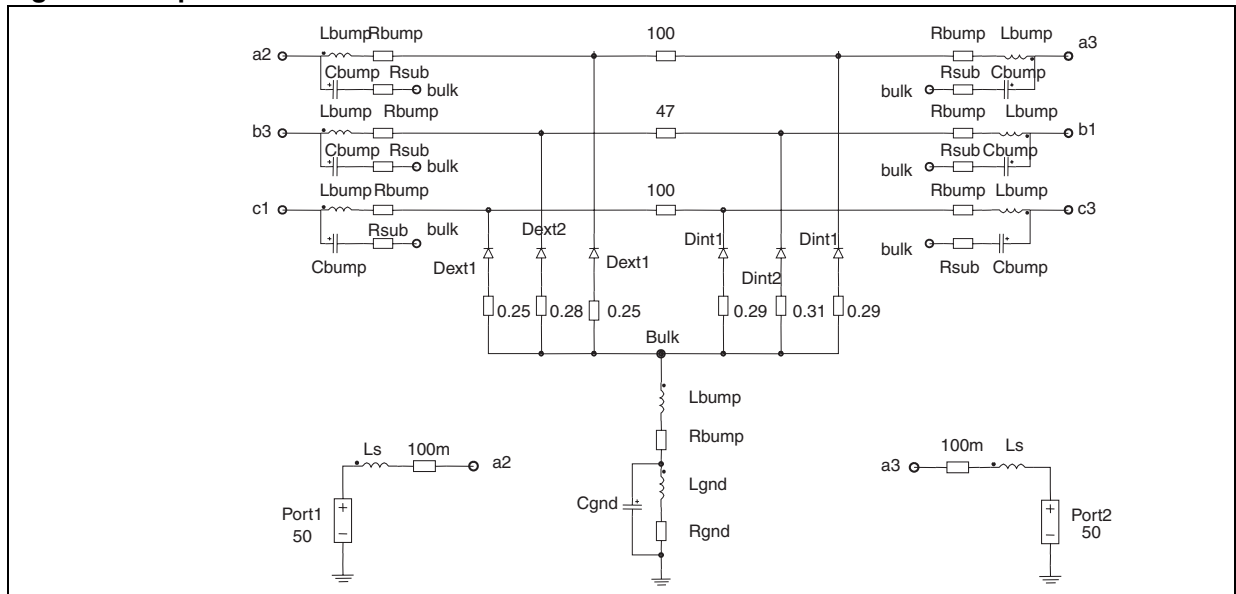
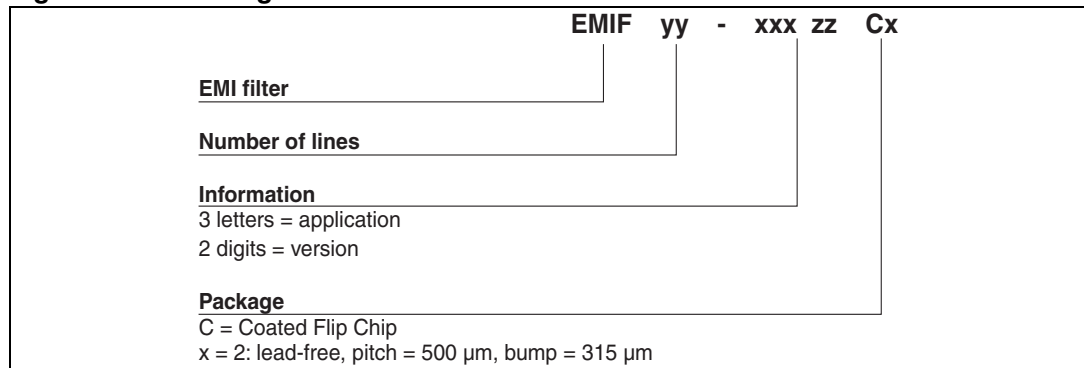


Figure 12. Aplac parameters

Ls 950pH				
Rs 150m	<u>Model Dint1</u>	<u>Model Dext1</u>	<u>Model Dint2</u>	<u>Model Dext2</u>
Cext1 15pF	BV=15	BV=15	BV=15	BV=15
Cint1 4.5pF	CJO=Cint1	CJO=Cext1	CJO=Cint2	CJO=Cext2
Cext2 14pF	IBV=1u	IBV=1u	IBV=1u	IBV=1u
Cint2 4pF	IKF=1000	IKF=1000	IKF=1000	IKF=1000
Rbump 20m	IS=10f	IS=10f	IS=10f	IS=10f
Lbump 50pH	ISR=100p	ISR=100p	ISR=100p	ISR=100p
Cbump 0.15pF	N=1	N=1	N=1	N=1
Rgnd 500m	M=0.3333	M=0.3333	M=0.3333	M=0.3333
Lgnd 50pH	RS=0.001m	RS=0.001m	RS=0.001m	RS=0.001m
Cgnd 0.15pF	VJ=0.6	VJ=0.6	VJ=0.6	VJ=0.6
Rsub 100m	TT=50n	TT=50n	TT=50n	TT=50n

## 2 Ordering information scheme

Figure 13. Ordering information scheme



### 3 Package information

- Epoxy meets UL94, V0
- Lead-free package

In order to meet environmental requirements, ST offers these devices in different grades of ECOPACK® packages, depending on their level of environmental compliance. ECOPACK® specifications, grade definitions and product status are available at: [www.st.com](http://www.st.com). ECOPACK® is an ST trademark.

Figure 14. Flip-Chip dimensions

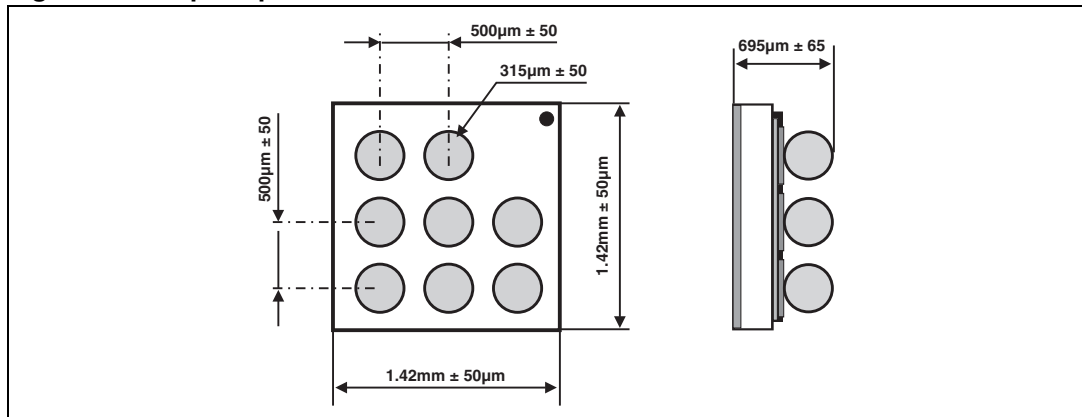


Figure 15. Marking

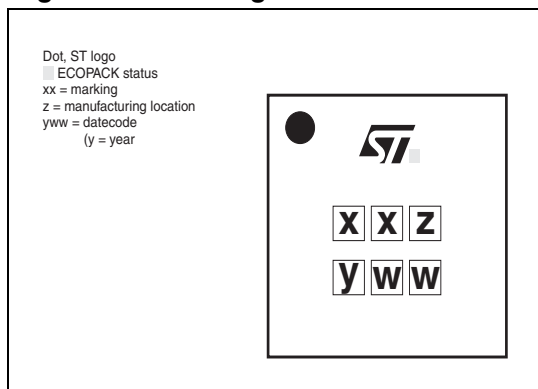


Figure 16. Footprint recommendation

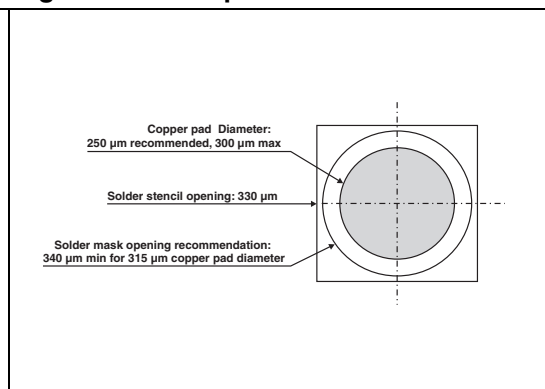
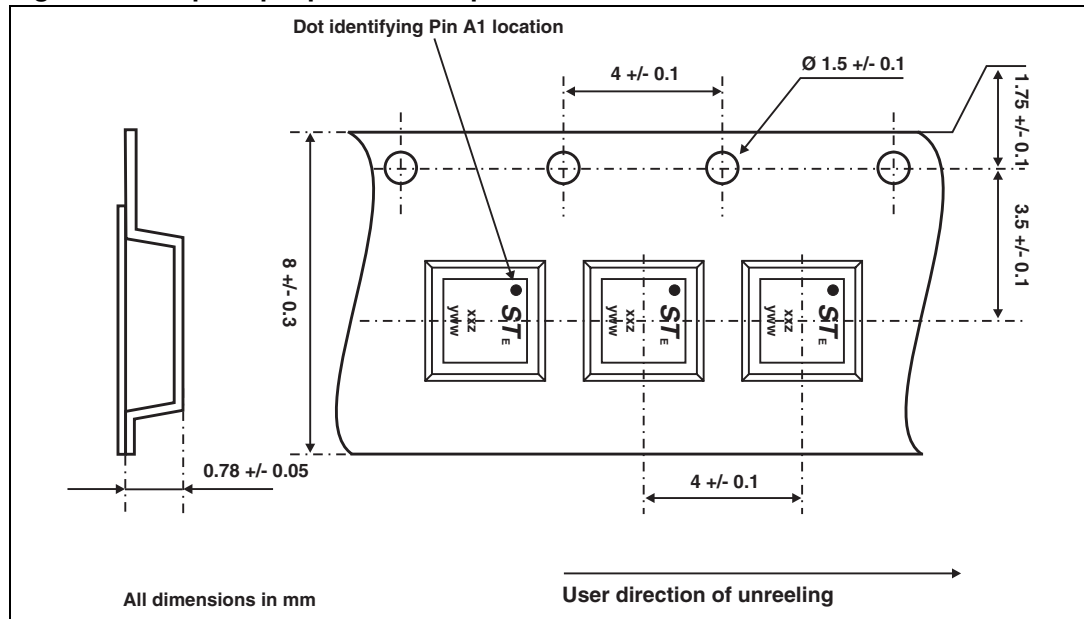


Figure 17. Flip-Chip tape and reel specification



## 4 Ordering information

Table 3. Ordering information

Ordering code	Marking	Package	Weight	Base qty	Delivery mode
EMIF03-SIM02C2	GR	Flip Chip	3.04 mg	5000	7" Tape and reel

## 5 Revision history

Table 4. Document revision history

Date	Revision	Changes
07-Feb-2007	1	Initial release.
21-Mar-2007	2	Updated weight in Ordering information.
02-Sep-2010	3	Updated marking in <a href="#">Table 3</a> .

**Please Read Carefully:**

Information in this document is provided solely in connection with ST products. STMicroelectronics NV and its subsidiaries ("ST") reserve the right to make changes, corrections, modifications or improvements, to this document, and the products and services described herein at any time, without notice.

All ST products are sold pursuant to ST's terms and conditions of sale.

Purchasers are solely responsible for the choice, selection and use of the ST products and services described herein, and ST assumes no liability whatsoever relating to the choice, selection or use of the ST products and services described herein.

No license, express or implied, by estoppel or otherwise, to any intellectual property rights is granted under this document. If any part of this document refers to any third party products or services it shall not be deemed a license grant by ST for the use of such third party products or services, or any intellectual property contained therein or considered as a warranty covering the use in any manner whatsoever of such third party products or services or any intellectual property contained therein.

**UNLESS OTHERWISE SET FORTH IN ST'S TERMS AND CONDITIONS OF SALE ST DISCLAIMS ANY EXPRESS OR IMPLIED WARRANTY WITH RESPECT TO THE USE AND/OR SALE OF ST PRODUCTS INCLUDING WITHOUT LIMITATION IMPLIED WARRANTIES OF MERCHANTABILITY, FITNESS FOR A PARTICULAR PURPOSE (AND THEIR EQUIVALENTS UNDER THE LAWS OF ANY JURISDICTION), OR INFRINGEMENT OF ANY PATENT, COPYRIGHT OR OTHER INTELLECTUAL PROPERTY RIGHT.**

**UNLESS EXPRESSLY APPROVED IN WRITING BY AN AUTHORIZED ST REPRESENTATIVE, ST PRODUCTS ARE NOT RECOMMENDED, AUTHORIZED OR WARRANTED FOR USE IN MILITARY, AIR CRAFT, SPACE, LIFE SAVING, OR LIFE SUSTAINING APPLICATIONS, NOR IN PRODUCTS OR SYSTEMS WHERE FAILURE OR MALFUNCTION MAY RESULT IN PERSONAL INJURY, DEATH, OR SEVERE PROPERTY OR ENVIRONMENTAL DAMAGE. ST PRODUCTS WHICH ARE NOT SPECIFIED AS "AUTOMOTIVE GRADE" MAY ONLY BE USED IN AUTOMOTIVE APPLICATIONS AT USER'S OWN RISK.**

Resale of ST products with provisions different from the statements and/or technical features set forth in this document shall immediately void any warranty granted by ST for the ST product or service described herein and shall not create or extend in any manner whatsoever, any liability of ST.

ST and the ST logo are trademarks or registered trademarks of ST in various countries.

Information in this document supersedes and replaces all information previously supplied.

The ST logo is a registered trademark of STMicroelectronics. All other names are the property of their respective owners.

© 2010 STMicroelectronics - All rights reserved

STMicroelectronics group of companies

Australia - Belgium - Brazil - Canada - China - Czech Republic - Finland - France - Germany - Hong Kong - India - Israel - Italy - Japan - Malaysia - Malta - Morocco - Philippines - Singapore - Spain - Sweden - Switzerland - United Kingdom - United States of America

[www.st.com](http://www.st.com)