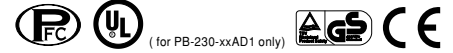




■ Features :

- 3 stage charging characteristic
- Universal AC input / Full range
- Built-in active PFC function, PF>0.95
- Protection: Short circuit / Overload / Over voltage / Over temperature
- Built-in cooling Fan ON-OFF control
- Built-in remote ON-OFF control
- 2 color LED loading indicator
- Low cost, high reliability
- 2 years warranty



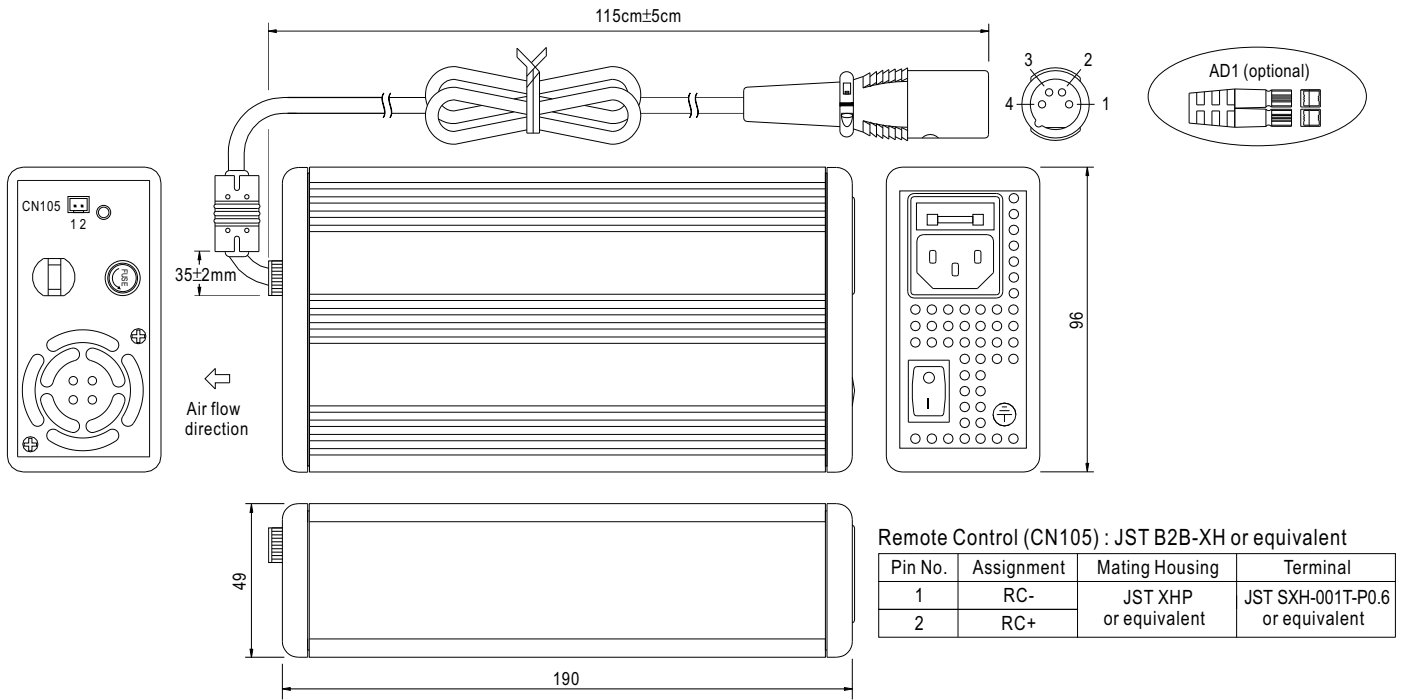
| ORDER NO. | OUTPUT CONNECTOR | SAFETY |
|---|--------------------|----------|
| PB-230-xx (standard model) | 4pin power din | TUV / CE |
| PB-230-xxAD1 (optional model) | Anderson connector | UL |
| PB-230-xx <input type="checkbox"/> xx=12,24,48 ; <input type="checkbox"/> =Blank, AD1 | | |

SPECIFICATION

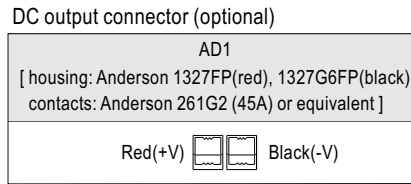
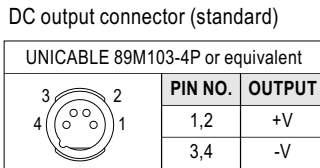
| MODEL | PB-230-12 <input type="checkbox"/> | PB-230-24 <input type="checkbox"/> | PB-230-48 <input type="checkbox"/> | |
|-----------------------|---|--|------------------------------------|-----------|
| OUTPUT | BOOST CHARGE VOLTAGE | 14.4V | 28.8V | 57.6V |
| | FLOAT CHARGE VOLTAGE | 13.6V | 27.2V | 54.4V |
| | RECOMMENDED BATTERY CAPACITY(AMP HOURS)(Note 5) | 50 ~ 160Ah | 24 ~ 80Ah | 12 ~ 40Ah |
| | BATTERY TYPE | Open & Sealed Lead Acid | | |
| | OUTPUT CURRENT | 16A | 8A | 4A |
| INPUT | VOLTAGE RANGE | 90 ~ 264VAC 127 ~ 370VDC | | |
| | FREQUENCY RANGE | 47 ~ 63Hz | | |
| | POWER FACTOR (Typ.) | PF>0.95/230VAC PF>0.98/115VAC at full load | | |
| | EFFICIENCY (Typ.) | 81.5% | 85.5% | 86% |
| | AC CURRENT (Typ.) | 3A/115VAC 1.5A/230VAC | | |
| | INRUSH CURRENT (Typ.) | COLD START 50A | | |
| | LEAKAGE CURRENT | <3.5mA / 240VAC | | |
| PROTECTION | OVERLOAD | 90 ~ 110% rated output current Protection type : Constant current limiting, recovers automatically after fault condition is removed | | |
| | OVER VOLTAGE | 16 ~ 18V | 31 ~ 35V | 59 ~ 64V |
| | OVER TEMPERATURE | Protection type : Shut down o/p voltage, re-power on to recover | | |
| FUNCTION | REMOTE CONTROL (CN105) | Open: Normal work Short: Stop Charging | | |
| | FAN CONTROL | RTH3 ≥ 50°C Fan ON, ≤ 45°C Fan OFF (Typ.) | | |
| | TEMPERATURE SENSE | By NTC | | |
| ENVIRONMENT | WORKING TEMP. | -20 ~ +50°C (Refer to "Derating Curve") | | |
| | WORKING HUMIDITY | 20 ~ 90% RH non-condensing | | |
| | STORAGE TEMP., HUMIDITY | -40 ~ +85°C, 10 ~ 95% RH | | |
| | TEMP. COEFFICIENT | ±0.03%/°C (0 ~ 50°C) | | |
| | VIBRATION | 10 ~ 500Hz, 2G 10min./1cycle, 60min. each along X, Y, Z axes | | |
| SAFETY & EMC (Note 4) | SAFETY STANDARDS | UL1012(for PB-230-xxAD1 only), TUV EN60950-1 approved | | |
| | WITHSTAND VOLTAGE | I/P-O/P:3KVAC I/P-FG:1.5KVAC O/P-FG:0.5KVAC | | |
| | ISOLATION RESISTANCE | I/P-O/P, I/P-FG, O/P-FG:100M Ohms / 500VDC / 25°C / 70% RH | | |
| | EMC EMISSION | Compliance to EN55022 (CISPR22) Class B, EN61000-3-2,-3 | | |
| OTHERS | EMC IMMUNITY | Compliance to EN61000-4-2,3,4,5,6,8,11, EN55024, light industry level, criteria A | | |
| | MTBF | 244.5Khrs min. MIL-HDBK-217F (25°C) | | |
| | DIMENSION | 190*96*49mm(L*W*H) | | |
| CONNECTOR | PACKING | 1.21Kg, 12pcs/15.5Kg/1.29CUFT | | |
| | PLUG | See page 2 ; Other type available by customer requested | | |
| NOTE | CABLE | See page 2 ; Other type available by customer requested | | |
| | <p>1. All parameters NOT specially mentioned are measured at 230VAC input, rated load and 25°C of ambient temperature. 2. Ripple & noise are measured at 20MHz of bandwidth by using a 12" twisted pair-wire terminated with a 0.1uf & 47uf parallel capacitor. 3. Tolerance : includes set up tolerance, line regulation and load regulation. 4. The power supply is considered a component which will be installed into a final equipment. The final equipment must be re-confirmed that it still meets EMC directives. 5. This is Mean Well's suggested range. Please consult your battery manufacturer for their suggestions about maximum charging current limitation.</p> | | | |

Mechanical Specification

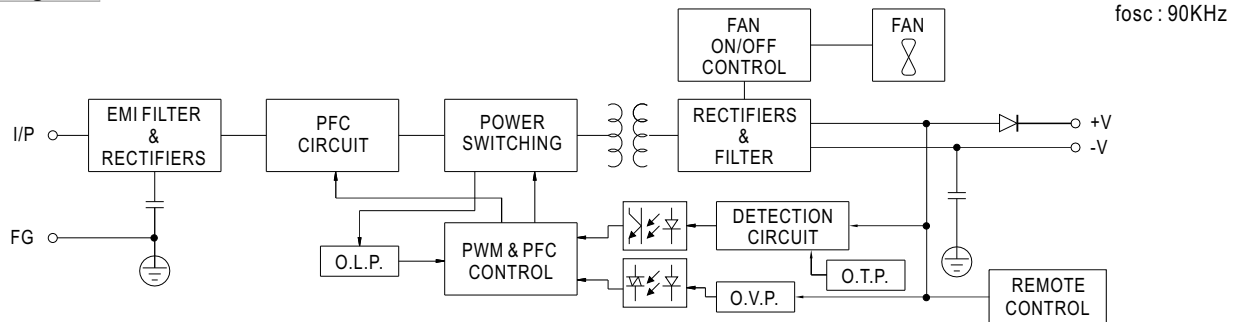
Case No. PB-230A Unit:mm



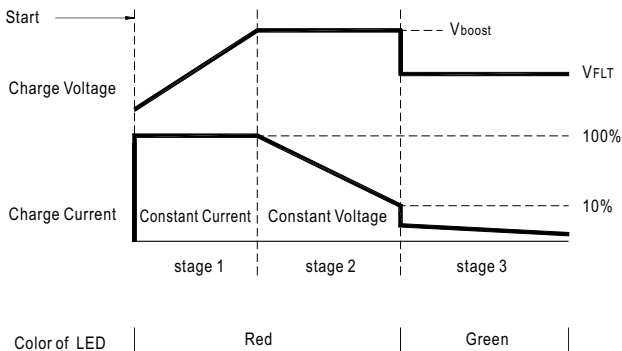
Plug Assignment



Block Diagram



Charging Curve



| State | PB-230-12□ | PB-230-24□ | PB-230-48□ |
|--------|------------|------------|------------|
| Vboost | 14.4V | 28.8V | 57.6V |
| VFLT | 13.6V | 27.2V | 54.4V |

Derating Curve

