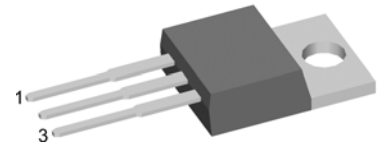
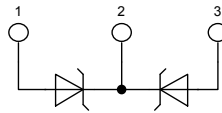


Schottky Diode Gen²

High Performance Schottky Diode
Low Loss and Soft Recovery
Common Cathode

Part number

DSB 60 C 60 PB



Backside: cathode

Features / Advantages:

- Very low V_f
- Extremely low switching losses
- low I_{rm} values
- Improved thermal behaviour
- High reliability circuit operation
- Low voltage peaks for reduced protection circuits
- Low noise switching

Applications:

- Rectifiers in switch mode power supplies (SMPS)
- Free wheeling diode in low voltage converters

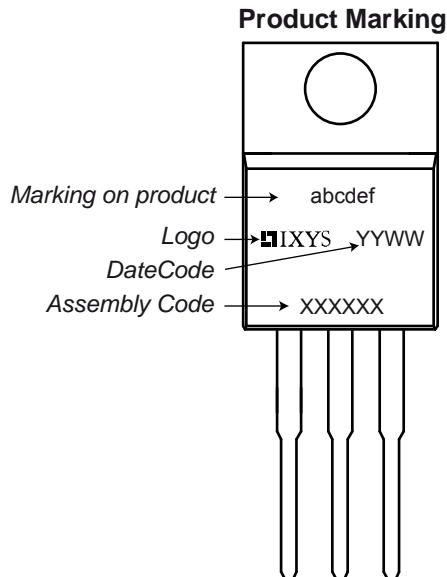
Package:

- Housing: TO-220
- Industry standard outline
- Epoxy meets UL 94V-0
- RoHS compliant

Symbol	Definition	Conditions	Ratings			Unit	
			min.	typ.	max.		
V_{RRM}	max. repetitive reverse voltage				60	V	
I_R	reverse current	$V_R = 60V$			20	mA	
		$V_R = 60V$			50	mA	
V_F	forward voltage	$I_F = 30A$			0.78	V	
		$I_F = 60A$			1.21	V	
		$I_F = 30A$	$T_{VJ} = 125^\circ C$			0.69	V
		$I_F = 60A$	$T_{VJ} = 125^\circ C$			0.95	V
I_{FAV}	average forward current	rectangular d = 0.5			30	A	
V_{F0}	threshold voltage				0.46	V	
r_F	slope resistance						
R_{thJC}	thermal resistance junction to case				0.85	K/W	
T_{VJ}	virtual junction temperature		-55		150	$^\circ C$	
P_{tot}	total power dissipation				145	W	
I_{FSM}	max. forward surge current	t = 10 ms (50 Hz), sine			320	A	
C_j	junction capacitance	$V_R = 12V$; f = 1 MHz		449		pF	

Symbol	Definition	Conditions	Ratings			Unit
			min.	typ.	max.	
I_{RMS}	RMS current	per pin ¹⁾			35	A
R_{thCH}	thermal resistance case to heatsink			0.50		K/W
T_{stg}	storage temperature		-55		150	°C
Weight				2		g
M_D	mounting torque		0.4		0.6	Nm
F_C	mounting force with clip		20		60	N

¹⁾ I_{RMS} is typically limited by: 1. pin-to-chip resistance; or by 2. current capability of the chip.
 In case of 1, a common cathode/anode configuration and a non-isolated backside, the whole current capability can be used by connecting the backside.

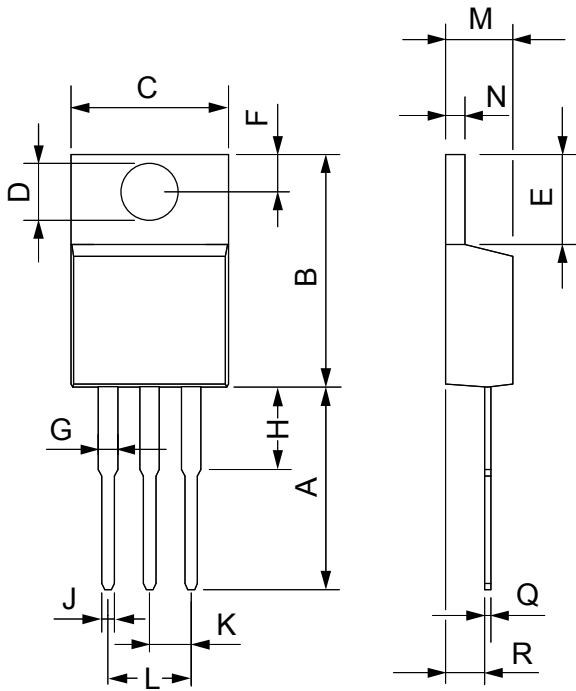

Part number

- D = Diode
- S = Schottky Diode
- B = ultra low VF
- 60 = Current Rating [A]
- C = Common Cathode
- 60 = Reverse Voltage [V]
- PB = TO-220AB (3)

Ordering	Part Name	Marking on Product	Delivering Mode	Base Qty	Code Key
Standard	DSB 60 C 60 PB	DSB60C60PB	Tube	50	505115

Similar Part	Package	Voltage class
DSB60C60HB	TO-247	60
DSB60C60QB	TO-3P	60

Outlines TO-220



Dim.	Millimeter		Inches	
	Min.	Max.	Min.	Max.
A	12.70	13.97	0.500	0.550
B	14.73	16.00	0.580	0.630
C	9.91	10.66	0.390	0.420
D	3.54	4.08	0.139	0.161
E	5.85	6.85	0.230	0.270
F	2.54	3.18	0.100	0.125
G	1.15	1.65	0.045	0.065
H	2.79	5.84	0.110	0.230
J	0.64	1.01	0.025	0.040
K	2.54	BSC	0.100	BSC
M	4.32	4.82	0.170	0.190
N	1.14	1.39	0.045	0.055
Q	0.35	0.56	0.014	0.022
R	2.29	2.79	0.090	0.110