

### General Description

The MIC1232 is a multifunction circuit which monitors microprocessor activity, external reset and power supplies in microprocessor based systems. The circuit functions include a watchdog timer, power supply monitor, microprocessor reset, and manual pushbutton reset input.

The power supply line is monitored with a comparator and an internal voltage reference. /RST is forced low when an out-of-tolerance condition exists and remains asserted for at least 250ms after  $V_{CC}$  rises above the threshold voltage (4.5V or 4.75V). The /RST pin will remain logic low with  $V_{CC}$  as low as 1.4V.

The Watchdog input (/ST) monitors μP activity and will assert /RST if no μP activity has occurred within the watchdog timeout period. The watchdog timeout period is selectable with nominal period of 150, 600, 1200 milliseconds.

### Features

- Power OK/Reset time delay, 250ms min.
- Watchdog timer, 150ms, 600ms, or 1.2s typical
- Precision supply voltage monitor, select between 5% or 10% of supply voltage
- Available in 8-pin surface mount (SO)
- Debounced External reset input
- Low supply current, <math>18\mu A</math> typical

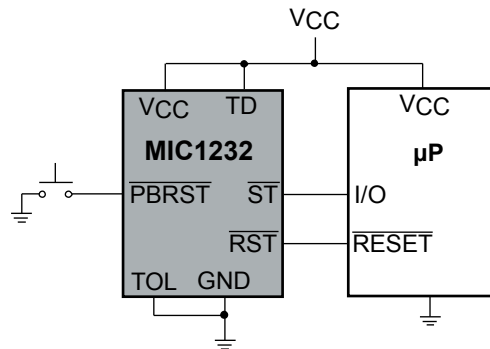
### Applications

- Automotive systems
- Intelligent systems
- Critical microprocessor power monitoring
- Battery powered computers
- Controllers

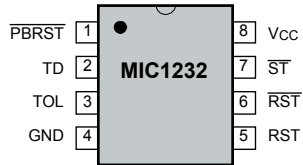
### Ordering Information

Part Number		Temperature Range	Package
Standard	Pb-Free		
MIC1232N	MIC1232NY	-40°C to +85°C	8-Pin PDIP
MIC1232M	MIC1232MY	-40°C to +85°C	8-Pin SOIC

### Typical Application



## Pin Configuration



**8-Pin PDIP Package**

**8-Pin SOIC Package**

## Pin Description

Pin Number	Pin Name	Pin Function
1	/PBRST	Pushbutton Reset Input: This input is debounced and can be driven with external logic signals or by means of a mechanical pushbutton to actively force a reset. All pulses less than 1ms in duration on the /PBRST pin are ignored, whereas, any pulse with a duration of 20ms or greater is guaranteed to cause a reset.
2	TD	Time Delay input: This input selects the timebase used by the watchdog timer. When TD = 0V, the watchdog timeout period is set to a normal value of 150ms, when TD = open, the watchdog timeout period is set to a nominal value of 600ms and when TD = V <sub>CC</sub> , the watchdog period is 1.2s nominally.
3	TOL	Tolerance Select Input: Selects whether 5% or 10% of V <sub>CC</sub> is used as the reset threshold voltage. When TOL = 0V, the 5% tolerance level is selected and when TOL = V <sub>CC</sub> , a 10% tolerance level is selected.
4	GND	IC ground pin, 0V reference
5	RST	RST is asserted high if either V <sub>CC</sub> goes below the reset threshold, the watchdog times out or /PBRST is pulled low for a minimum of 20ms. RST remains asserted for one reset timeout period after V <sub>CC</sub> exceeds the reset threshold or after the watch times out or after /PBRST goes high.
6	/RST	/RST is asserted low if either V <sub>CC</sub> goes below the reset threshold, the watchdog times out or /PBRST is pulled low for a minimum of 20ms. /RST remains asserted for one reset timeout period after V <sub>CC</sub> exceeds the reset threshold or after the watch times out or after /PBRST goes high. Open-drain output
7	/ST	Input to watchdog timer. If /ST does not see a transition from high to low within the watchdog timeout period, RST and /RST will be asserted.
8	VCC	Primary supply input, +5V

**Absolute Maximum Ratings (Note 1)**

Terminal Voltage	
$V_{CC}$ .....	-0.3V to +6.0V
All other inputs.....	-0.3V to ( $V_{CC} + 0.3V$ )
Input Current	
$V_{CC}$ .....	250mA
GND, all other inputs .....	25mA
Lead Temperature (soldering, 10 sec.).....	300°C
Storage Temperature.....	-65°C to 150°C
ESD Rating, <b>Note 3</b>	

**Operating Ratings (Note 2)**

Operating Temperature Range	
MIC1232M/N .....	-40°C to 85°C

**Electrical Characteristics**

$V_{CC} = 4.5V$  to  $5.5V$ ;  $T_A =$  Operating Temperature Range, **bold** values indicate  $-40^\circ C \leq T_A \leq +85^\circ C$ ; unless noted

Parameter	Condition	Min	Typ	Max	Units
Supply Voltage Range	$V_{CC}$	4.5		5.5	V
Supply Current	$I_{CC}$ , <b>(Note 4)</b>		18	40	$\mu A$
/ST and /PBRST Input Levels	$V_{IH}$ , <b>(Note 5)</b>	2.0		$V_{CC}+0.3$	V
	$V_{IL}$	-0.3		0.8	V
Input Leakage	$I_{IL}$			$\pm 1$	$\mu A$
Output Souce Current, RST	$V_{OH} = 2.4V$	1.0	10		mA
Output Sink Current, /RST, RST	$V_{OL} = 0.4V$	2.0	10		mA
$V_{CC}$ 5% Trip Point (Reset Threshold Voltage)	TOL = GND	4.5	4.62	4.74	V
$V_{CC}$ 10% Trip Point (Reset Threshold Voltage)	TOL = $V_{CC}$	4.25	4.37	4.49	V
Input Capacitance, /ST, TOL	$C_{IN}$ , <b>(Note 6)</b>			5	pF
Output Capacitance, /RST, RST	$C_{OUT}$ , <b>(Note 6)</b>			7	pF

**AC Electrical Characteristics**

$V_{CC} = 4.5V$  to  $5.5V$ ;  $T_A =$  Operating Temperature Range, **bold** values indicate  $-40^\circ C \leq T_A \leq +85^\circ C$ ; unless noted

/PBRST Min. Pulse Width, $t_{PB}$	/PBRST = $V_{IL}$ <b>(Note 7)</b>	20			ms
/PBRST Delay, $t_{PBD}$		1	4	20	ms
Reset Active Time, $t_{RST}$		250	610	1000	ms
/ST Pulse Width, $t_{ST}$		20			ms
/ST Timeout Period, $t_{TD}$	TD = 0V	62.5	150	250	ms
	TD = Open	250	600	1000	ms
	TD = $V_{CC}$	500	1200	2000	ms
$V_{CC}$ Fall Time, $t_F$		10			$\mu s$
$V_{CC}$ Rise Time, $t_R$		0			ns
$V_{CC}$ Detect to /RST Low and RST High, $t_{RPD}$	$V_{CC}$ Falling <b>(Note 8)</b>		50	150	$\mu s$
$V_{CC}$ Detect to /RST Low and RST Low, $t_{RPD}$	$V_{CC}$ Falling <b>(Note 9)</b>	250	610	1000	$\mu s$

**Note 1.** Exceeding the absolute maximum rating may damage the device.

**Note 2.** The device is not guaranteed to function outside its operating rating.

**Note 3.** Devices are ESD sensitive. Handling precautions recommended. Human body model, 1.5k in series with 100pF.

**Note 4.**  $I_{CC}$  is measured with outputs open and inputs within 0.5V of supply rails

**Note 5.** /PBRST has an internal pull-up resistor to  $V_{CC}$  (typ. 40k $\Omega$ )

**Note 6.** Guaranteed by design

**Note 7.** /PBRST must be held low for a minimum of 20ms to guarantee a reset

**Note 8.**  $V_{CC}$  falling at 1.66mV/ $\mu s$

**Note 9.** /RST has an open drain output

# Timing Diagrams

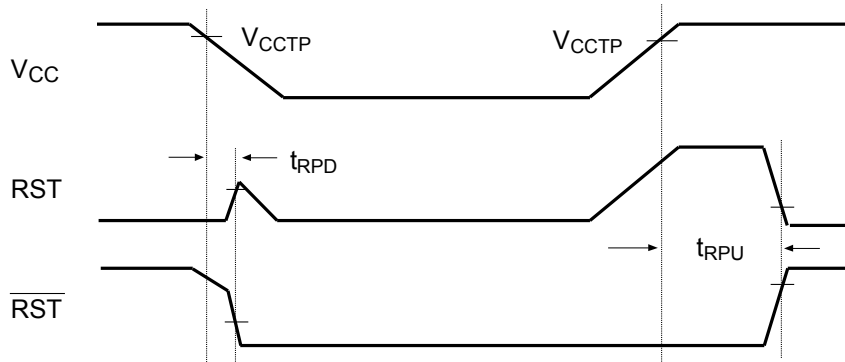


Figure 1. Power-Up/Power-Down Sequence

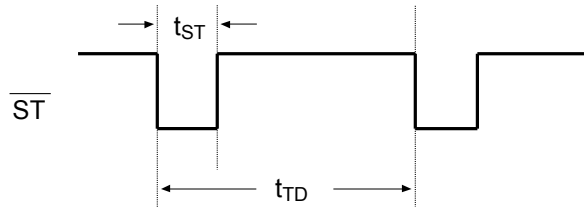


Figure 2. Watchdog Input

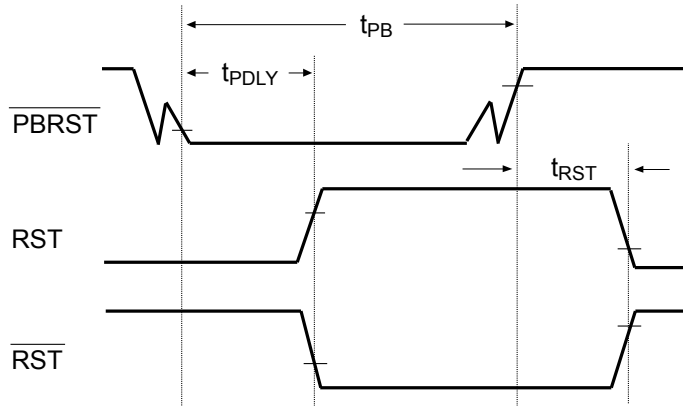


Figure 3. Pushbutton Reset

## Applications Information

### Power Monitor

The  $\overline{\text{RST}}$  and RST pins are asserted whenever  $V_{\text{CC}}$  falls below the reset threshold voltage as determined by the TOL pin. A 5% tolerance level (4.62V reset threshold voltage) can be selected by connecting the TOL pin to ground and a 10% tolerance can be selected by connecting the TOL pin to  $V_{\text{CC}}$ . The reset pins will remain asserted for a period of 250ms after  $V_{\text{CC}}$  has risen above the reset threshold voltage. The reset function ensures the microprocessor is properly reset and powers up into a known condition after a power failure.  $\overline{\text{RST}}$  will remain valid with  $V_{\text{CC}}$  as low as 1.4V.

### Watchdog Timer

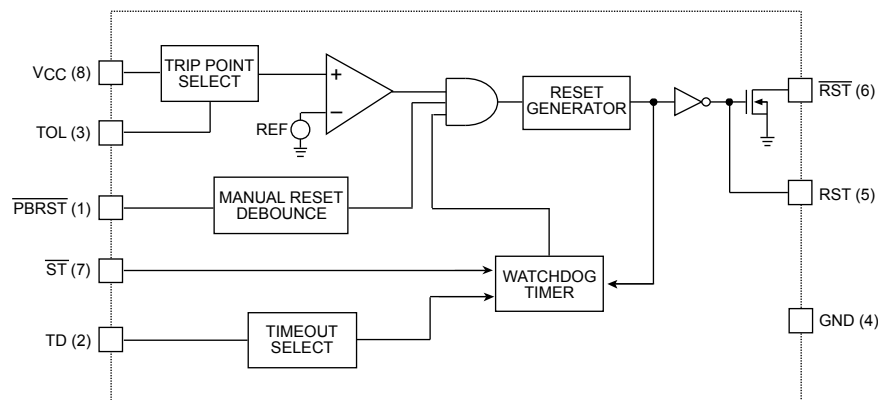
The microprocessor can be mounted by connecting the  $\overline{\text{ST}}$  pin (watchdog input) to a bus line or I/O line. If a high-to-low does not occur on the  $\overline{\text{ST}}$  pin within the watchdog timeout

period (determined by the TD pin, see Table 1.), the  $\overline{\text{RST}}$  and the RST will remain asserted for 250ms when this occurs. A minimum pulse of 75ns or any transition high-to-low on the  $\overline{\text{ST}}$  pin will reset the watchdog timer. The watchdog timer will be reset if  $\overline{\text{ST}}$  sees a valid transition within the watchdog timeout period.

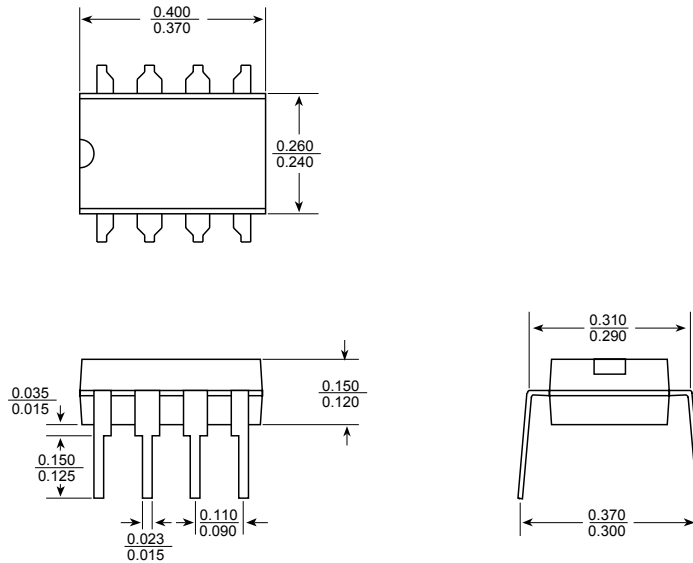
### Pushbutton Reset Input

The  $\overline{\text{PBRST}}$  input can be driven with a manual pushbutton switch or with external logic signals. The input is internally debounced and requires an active low signal to force the reset outputs into their active states. The  $\overline{\text{PBRST}}$  input will recognize any pulse that is 20ms in duration or greater and will ignore all pulses that are less than 1ms in duration.

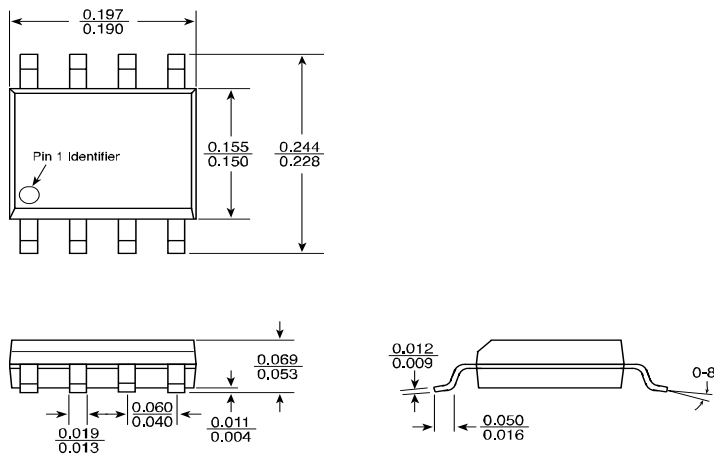
## Block Diagram



## Package Information



**8-Pin PDIP (N)**



**8-Pin SOIC (M)**

**MICREL INC. 2180 FORTUNE DRIVE SAN JOSE, CA 95131 USA**  
 TEL + 1 (408) 944-0800 FAX + 1 (408) 474-1000 WEB <http://www.micrel.com>

This information furnished by Micrel in this data sheet is believed to be accurate and reliable. However no responsibility is assumed by Micrel for its use. Micrel reserves the right to change circuitry and specifications at any time without notification to the customer.

Micrel Products are not designed or authorized for use as components in life support appliances, devices or systems where malfunction of a product can reasonably be expected to result in personal injury. Life support devices or systems are devices or systems that (a) are intended for surgical implant into the body or (b) support or sustain life, and whose failure to perform can be reasonably expected to result in a significant injury to the user. A Purchaser's use or sale of Micrel Products for use in life support appliances, devices or systems is a Purchaser's own risk and Purchaser agrees to fully indemnify Micrel for any damages resulting from such use or sale.

© 2000 Micrel, Inc.