

FEATURES

- Two independent differential 2:1 multiplexers
- Guaranteed AC performance over temperature and voltage:
 - DC-to >5Gbps data rate throughput
 - <310ps IN-to-Out t_{pd}
 - <110ps t_r / t_f
- Unique, patent-pending input isolation design minimizes crosstalk
- Ultra-low jitter design:
 - <1ps_{RMS} random jitter
 - <10ps_{PP} deterministic jitter
 - <10ps_{PP} total jitter (clock)
 - <0.7ps_{RMS} crosstalk-induced jitter
- Unique, patent-pending 50 Ω input termination and VT pin accepts DC-coupled and AC-coupled inputs (CML, LVDS, PECL)
- 800mV LVPECL output swing
- Power supply 2.5V \pm 5% or 3.3V \pm 10%
- -40°C to +85°C temperature range
- Available in 32-pin (5mm \times 5mm) MLF® package



Precision Edge®

DESCRIPTION

The SY58026U features two ultra-fast, low jitter 2:1 differential muxes with a guaranteed maximum data throughput of 5Gbps.

The SY58026U differential inputs include a unique internal termination design that allows access to the termination network through a VT pin. The device easily interfaces to different logic standards, both AC- and DC-coupled, without external resistor-bias and termination networks. The result is a clean, stub-free, low jitter interface solution. The differential 800mV LVPECL outputs have extremely fast rise/fall times guaranteed to be less than 110ps.

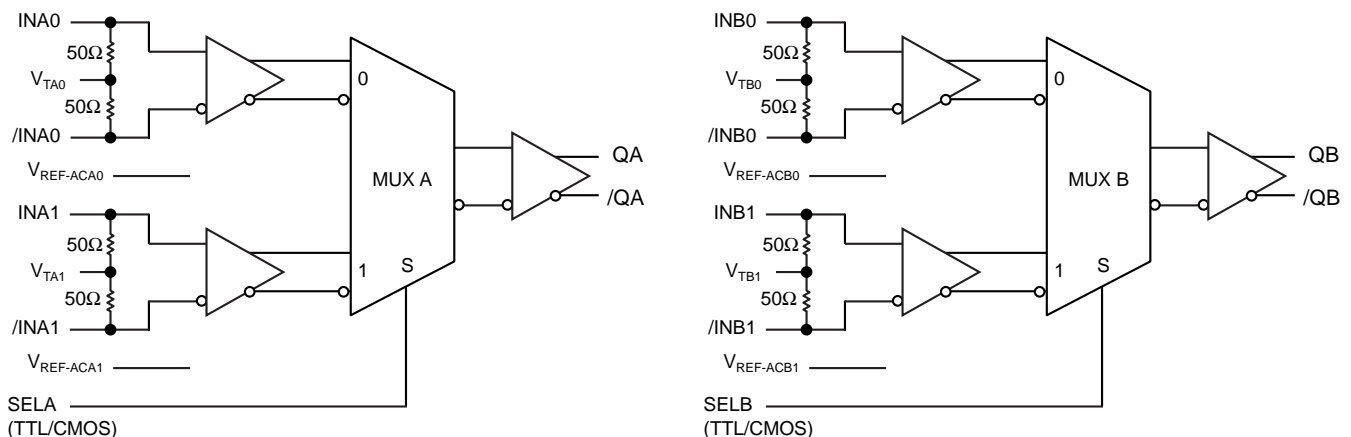
The SY58026U operates from a 2.5V or 3.3V supply, and is guaranteed over the full industrial temperature range (-40°C to +85°C). The SY58026U is part of Micrel's Precision Edge® product family.

All support documentation can be found on Micrel's web site at www.micrel.com.

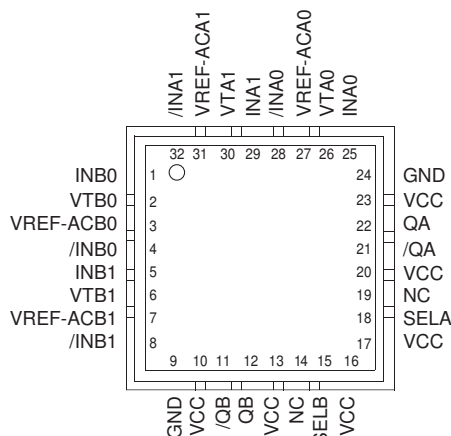
APPLICATIONS

- Data communication systems
- SONET applications
- Fibre Channel applications
- GigE applications

FUNCTIONAL BLOCK DIAGRAM



PACKAGE/ORDERING INFORMATION



32-Pin MLF® (MLF-32)

Ordering Information⁽¹⁾

Part Number	Package Type	Operating Range	Package Marking	Lead Finish
SY58026UMI	MLF-32	Industrial	SY58026U	Sn-Pb
SY58026UMITR ⁽²⁾	MLF-32	Industrial	SY58026U	Sn-Pb
SY58026UMG	MLF-32	Industrial	SY58026U with Pb-Free bar-line indicator	Pb-Free NiPdAu
SY58026UMGTR ⁽²⁾	MLF-32	Industrial	SY58026U with Pb-Free bar-line indicator	Pb-Free NiPdAu

Notes:

1. Contact factory for die availability. Dice are guaranteed at T_A = 25°C, DC electricals only.
2. Tape and Reel.

PIN DESCRIPTION

Pin Number	Pin Name	Pin Function
25, 28, 29, 32, 1, 4, 5, 8	INA0, /INA0, INA1, /INA1, INB0, /INB0, INB1, /INB1	Differential Inputs: These input pairs are the differential signal inputs to the device. Inputs accept AC- or DC-coupled differential signals as small as 100mV. Each pin of a pair internally terminates to a VT pin through 50Ω. Note that these inputs will default to an indeterminate state if left open. Unused differential input pairs can be terminated by connecting one input to V _{CC} and the complementary input to GND through a 1kΩ resistor. The VT pin is to be left open in this configuration. Please refer to the “Input Interface Applications” section for more details.
26, 30, 2, 6	VTA0, VTA1, VTB0, VTB1	Input Termination Center-Tap: Each side of the differential input pair, terminates to a VT pin. Each VT pin provides a center-tap to a termination network for maximum interface flexibility. See “Input Interface Applications” section for more details.
18, 15	SELA, SELB	Bank A, Bank B Input Channel Select (TTL/CMOS): These TTL/CMOS-compatible inputs select the inputs to the multiplexers. These inputs are internally connected to a 25kΩ pull-up resistor and will default to a logic HIGH state if left open. Input switching threshold is V _{CC} /2.
27, 31, 3, 7	VREF-ACA0, VREF-ACA1, VREF-ACB0, VREF-ACB1	Reference Output Voltage: These outputs bias to V _{CC} -1.2V. Connect to VT pin when AC-coupling the data inputs. Bypass with 0.01μF low ESR capacitor to V _{CC} . Maximum current source or sink is 0.5mA. See “Input Interface Applications” section.
10, 13, 16, 17, 20, 23	VCC	Positive Power Supply: Bypass with 0.1μF™ 0.01μF low ESR capacitors.
22, 21, 12, 11	QA, /QA, QB, /QB	Differential 100k LVPECL Outputs: MUX A and MUX B selected LVPECL outputs. See “Output Interface Applications” section for termination. Refer to the “Truth Table” for logic operation.
9, 24	GND, Exposed pad	Ground: Ground pins and exposed pad must be connected to the same ground plane.
14, 19	NC	Not connected.

Absolute Maximum Ratings⁽¹⁾

Power Supply Voltage (V_{CC}) -0.5V to +4.0V
 Input Voltage (V_{IN}) -0.5V to V_{CC}
 LVPECL Output Current (I_{OUT})
 Continuous 50mA
 Surge 100mA
 Termination Current⁽³⁾
 Source or sink current on V_T ± 100 mA
 Input Current
 Source or sink current on IN, /IN ± 50 mA
 Current (V_{REF-AC})
 Source or sink current on V_{REF-AC} ⁽³⁾ ± 1.5 mA
 Lead Temperature (soldering, 20 sec.) 260°C
 Storage Temperature Range (T_S) -65°C to +150°C

Operating Ratings⁽²⁾

Power Supply Voltage (V_{CC}) +2.375V to +2.625V
 +3.0V to +3.6V
 Ambient Temperature Range (T_A) -40°C to +85°C
 Package Thermal Resistance⁽⁴⁾
 MLF® (θ_{JA})
 Still-Air 35°C/W
 MLF® (ψ_{JB})
 Junction-to-board 20°C/W

DC ELECTRICAL CHARACTERISTICS⁽⁵⁾

$T_A = -40^\circ\text{C}$ to $+85^\circ\text{C}$; unless otherwise stated.

Symbol	Parameter	Condition	Min	Typ	Max	Units
V_{CC}	Power Supply	$V_{CC} = 2.5\text{V}$	2.375	2.5	2.625	V
		$V_{CC} = 3.3\text{V}$	3.0	3.3	3.6	V
I_{CC}	Power Supply Current	No load, max. V_{CC} .		100	130	mA
R_{DIFF_IN}	Differential Input Resistance (IN-to-/IN)		80	100	120	Ω
R_{IN}	Input Resistance (IN-to- V_T , /IN-to- V_T)		40	50	60	Ω
V_{IH}	Input High Voltage (IN, /IN)	Note 6	$V_{CC} - 1.6$		V_{CC}	V
V_{IL}	Input Low Voltage (IN, /IN)		0		$V_{IH} - 0.1$	V
V_{IN}	Input Voltage Swing (IN, /IN)	See Figure 1a.	0.1		1.7	V
V_{DIFF_IN}	Differential Input Voltage Swing IN - /IN	See Figure 1b.	0.2			V
V_{T_IN}	In-to- V_T (IN, /IN)				1.28	V
V_{REF-AC}	Output Reference Voltage		$V_{CC} - 1.3$	$V_{CC} - 1.2$	$V_{CC} - 1.1$	V

Notes:

- Permanent device damage may occur if "Absolute Maximum Ratings" are exceeded. This is a stress rating only and functional operation is not implied at conditions other than those detailed in the operational sections of this data sheet. Exposure to absolute maximum ratings conditions for extended periods may affect device reliability.
- The data sheet limits are not guaranteed if the device is operated beyond the operating ratings.
- Due to the limited drive capability, use for input of the same package only.
- Package thermal resistance assumes exposed pad is soldered (or equivalent) to the device's most negative potential (GND) on the PCB. ψ_{JB} uses 4-layer θ_{JA} in still air unless otherwise stated.
- The circuit is designed to meet the DC specifications shown in the above table after thermal equilibrium has been established.
- V_{IH} (min) not lower than 1.2V.

LVPECL OUTPUT DC ELECTRICAL CHARACTERISTICS⁽⁶⁾

$V_{CC} = 2.5V \pm 5\%$ or $3.3V \pm 10\%$; $T_A = -40^\circ C$ to $+85^\circ C$; $R_L = 50\Omega$ to $V_{CC} - 2V$, unless otherwise stated.

Symbol	Parameter	Condition	Min	Typ	Max	Units
V_{OH}	Output High Voltage Q, /Q		$V_{CC} - 1.145$		$V_{CC} - 0.895$	V
V_{OL}	Output Low Voltage Q, /Q		$V_{CC} - 1.945$		$V_{CC} - 1.695$	V
V_{OUT}	Output Voltage Swing Q, /Q	See Figure 1a.	550	800		mV
$V_{DIFF-OUT}$	Differential Output Voltage Swing Q, /Q	See Figure 1b.	1100	1600		mV

LVTTTL/CMOS DC ELECTRICAL CHARACTERISTICS⁽⁶⁾

$V_{CC} = 2.5V \pm 5\%$ or $3.3V \pm 10\%$; $T_A = -40^\circ C$ to $85^\circ C$ unless otherwise stated.

Symbol	Parameter	Condition	Min	Typ	Max	Units
V_{IH}	Input HIGH Voltage		2.0			V
V_{IL}	Input LOW Voltage				0.8	V
I_{IH}	Input HIGH Current		-175		75	μA
I_{IL}	Input LOW Current	$V_{IL} = 0V$	-300			μA

Note:

6. The circuit is designed to meet the DC specifications shown in the above table after thermal equilibrium has been established.

AC ELECTRICAL CHARACTERISTICS(7)

$V_{CC} = 2.5V \pm 5\%$ or $3.3V \pm 10\%$; $T_A = -40^\circ C$ to $+85^\circ C$; $R_L = 50\Omega$ to $V_{CC} - 2V$, unless otherwise stated.

Symbol	Parameter	Condition	Min	Typ	Max	Units
f_{MAX}	Maximum Operating Frequency	$V_{OUT} \approx 400mV$ NRZ Data Clock	5	6		Gbps GHz
t_{pd}	Propagation Delay IN-to-Q SEL-to-Q	$V_{IN} \approx 300mV$	160	230	310	ps
			100	220	400	ps
t_{SKEW}	Input-to-Input Skew (Within-bank)	Note 8		7	15	ps
	Bank-to-Bank Skew	Note 9		8	20	ps
	Part-to-Part Skew	Note 10			100	ps
t_{JITTER}	Data Random Jitter (RJ) Deterministic Jitter (DJ)	Note 11			1	ps_{RMS}
		Note 12			10	ps_{PP}
	Clock Cycle-to-Cycle Jitter (RJ) Total Jitter (TJ)	Note 13			1	ps_{RMS}
		Note 14			10	ps_{PP}
	Crosstalk-induced Jitter Channel-to-Channel (Within-bank)	Note 15, Within-bank.			0.7	ps_{RMS}
t_r, t_f	Output Rise/Fall Time 20% to 80%	At full swing.	35	70	110	ps

Notes:

- High-speed AC parameters are guaranteed by design and characterization. V_{IN} swing $\approx 100mV$ unless otherwise noted.
- Input-to-input skew is the difference in time between two inputs to the output within a bank.
- Bank-to-bank skew is the difference in time from input to the output between bank.
- Part-to-part skew is defined for two parts with identical power supply voltages at the same temperature and with no skew of the edges at the respective inputs.
- Random jitter is measured with a K28.7 comma detect character pattern, measured at 5Gbps and 2.5Gbps/3.2Gbps.
- Deterministic jitter is measured at 2.5Gbps/3.2Gbps, with both K28.5 and $2^{23}-1$ PRBS pattern
- Cycle-to-cycle jitter definition: the variation of periods between adjacent cycles, $T_n - T_{n-1}$ where T is the time between rising edges of the output signal.
- Total jitter definition: with an ideal clock input of frequency - f_{MAX} , no more than one output edge in 10^{12} output edges will deviate by more than the specified peak-to-peak jitter value.
- Crosstalk is measured at the output while applying two similar frequencies that are asynchronous with respect to each other at the inputs.

TRUTH TABLES

INA0	/INA0	INA1	/INA1	SELA	QA	/QA
0	1	X	X	0	0	1
1	0	X	X	0	1	0
X	X	0	1	1	0	1
X	X	1	0	1	1	0

INB0	/INB0	INB1	/INB1	SELB	QB	/QB
0	1	X	X	0	0	1
1	0	X	X	0	1	0
X	X	0	1	1	0	1
X	X	1	0	1	1	0

SINGLE-ENDED AND DIFFERENTIAL SWINGS

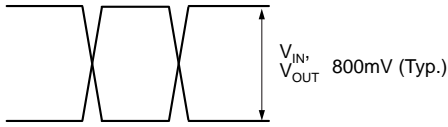


Figure 1a. Single-Ended Voltage Swing

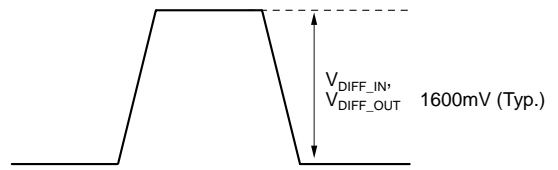
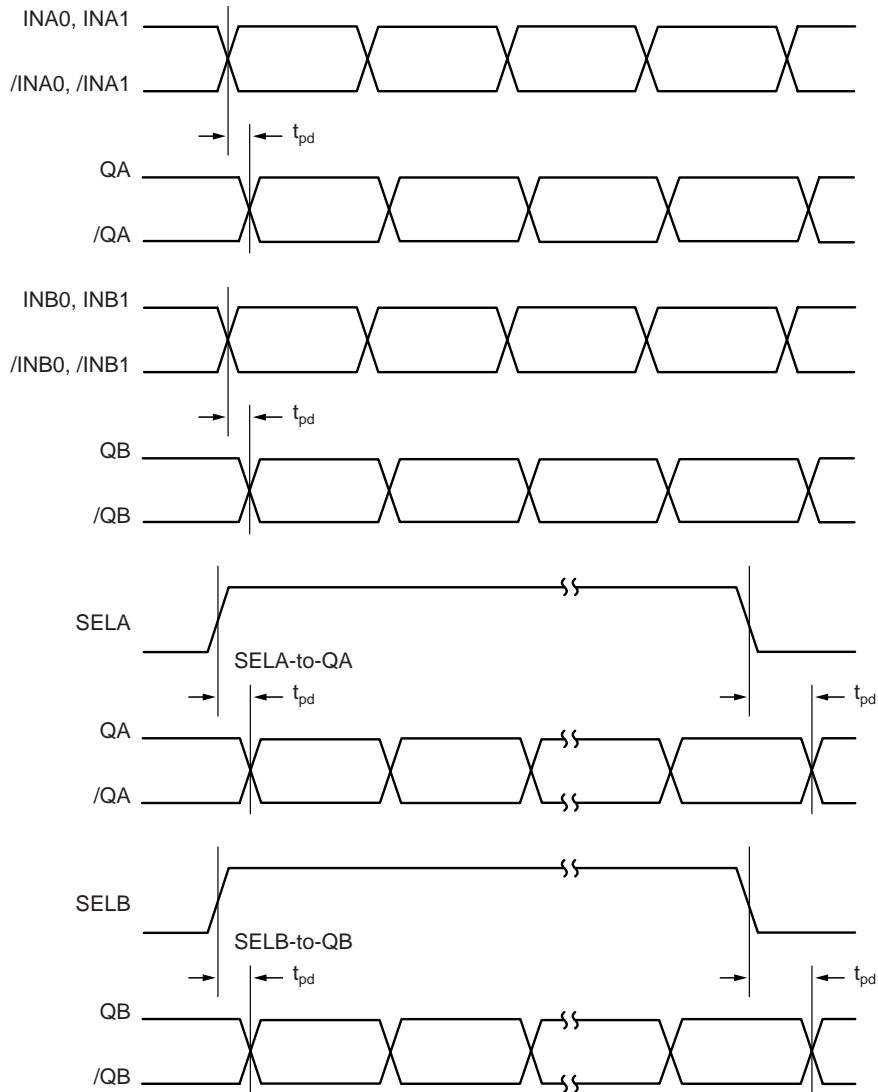


Figure 1b. Differential Voltage Swing

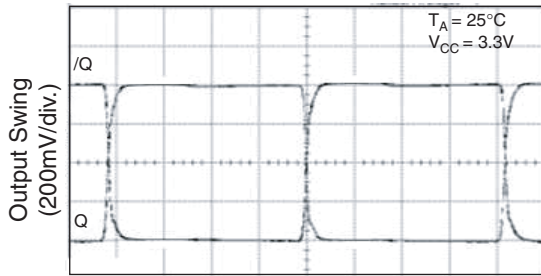
TIMING DIAGRAM



TYPICAL OPERATING CHARACTERISTICS

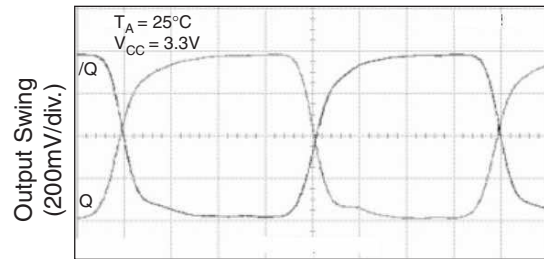
$V_{CC} = 3.3V$, $T_A = 25^\circ C$, $R_L = 50\Omega$ to $V_{CC} - 2V$, DC coupled, unless otherwise stated.

200MHz Output



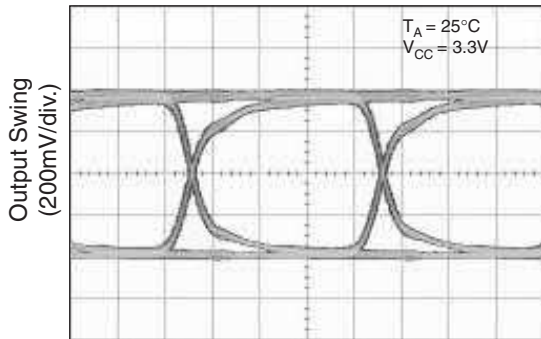
TIME (600ps/div.)

1.25GHz Output



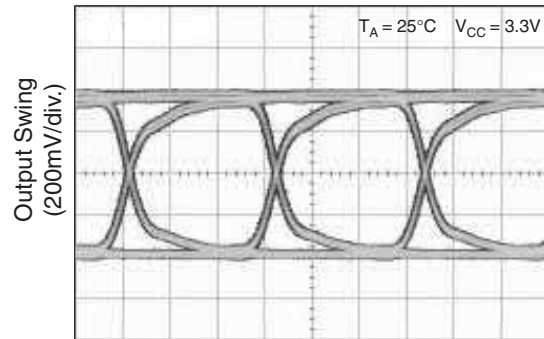
TIME (100ps/div.)

2.5Gbps Output



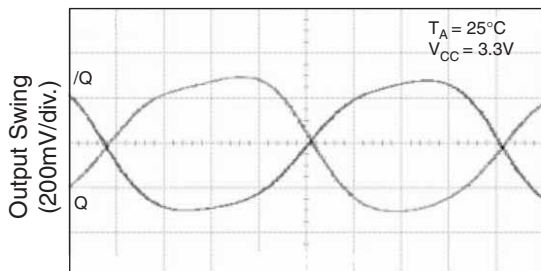
TIME (100ps/div.)

3.2Gbps Output



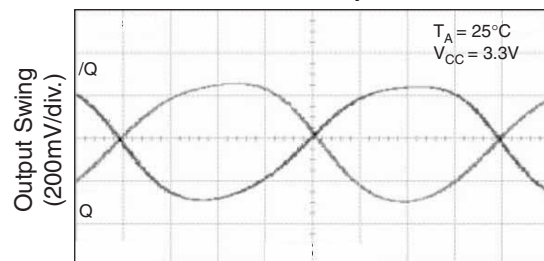
TIME (100ps/div.)

4GHz Output



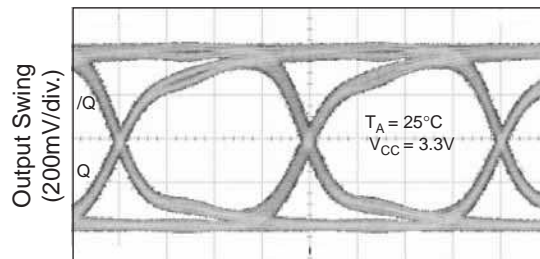
TIME (30ps/div.)

5GHz Output



TIME (25ps/div.)

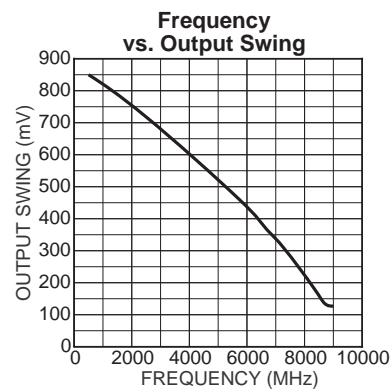
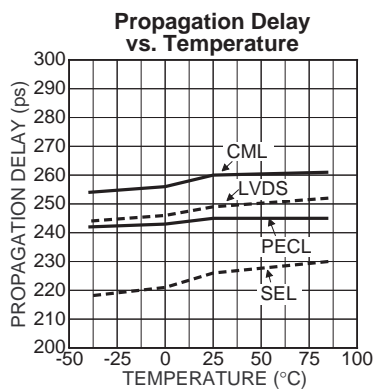
5Gbps Output



TIME (50ps/div.)

TYPICAL OPERATING CHARACTERISTICS

$V_{CC} = 3.3V$, $T_A = 25^\circ C$, $R_L = 50\Omega$ to $V_{CC} - 2V$, DC coupled, unless otherwise stated.



INPUT AND OUTPUT STAGE INTERNAL TERMINATION

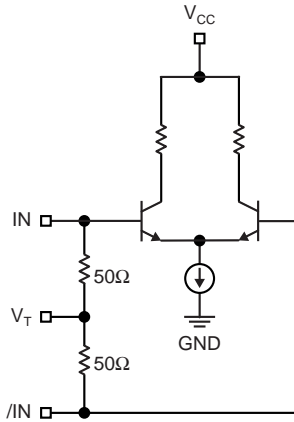


Figure 2a. Simplified Differential Input Stage

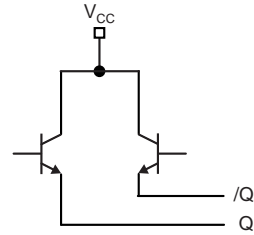


Figure 2b. Simplified LVPECL Output Stage

INPUT INTERFACE APPLICATIONS

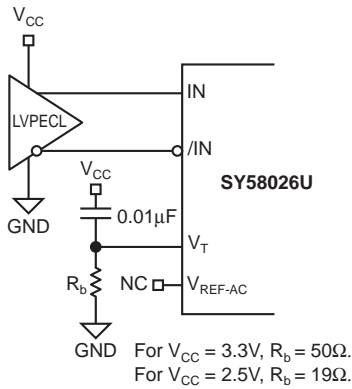


Figure 3a. DC-Coupled PECL Interface

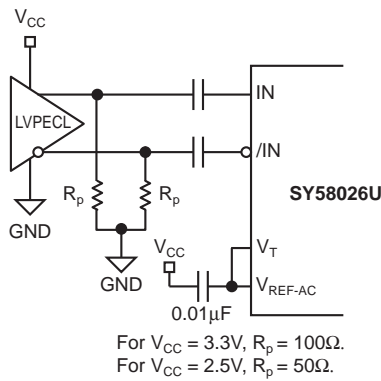


Figure 3b. AC-Coupled PECL Interface

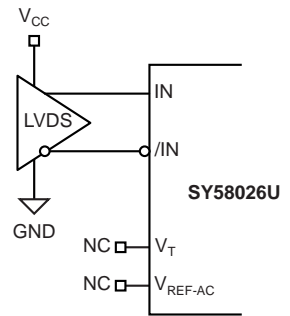
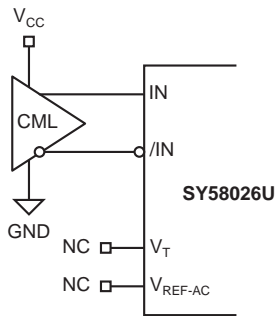


Figure 3c. LVDS Interface



Option: May connect V_T to V_{CC} .

Figure 3d. DC-Coupled CML Interface

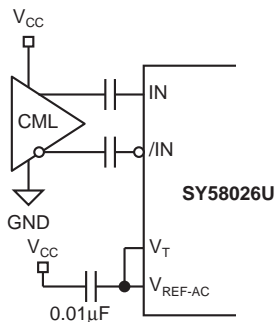


Figure 3e. AC-Coupled CML Interface

OUTPUT INTERFACE APPLICATIONS

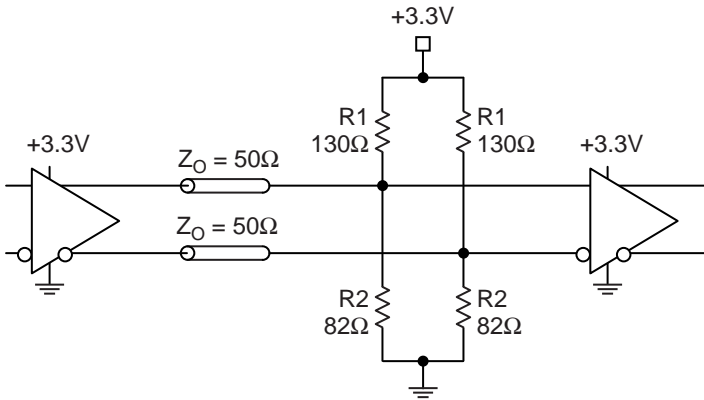


Figure 4a. Parallel Thevenin-Equivalent Termination

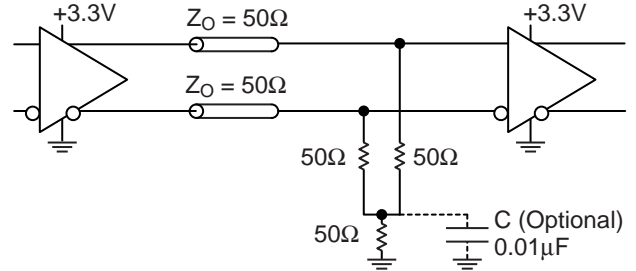


Figure 4b. Parallel Termination (3-Resistor)

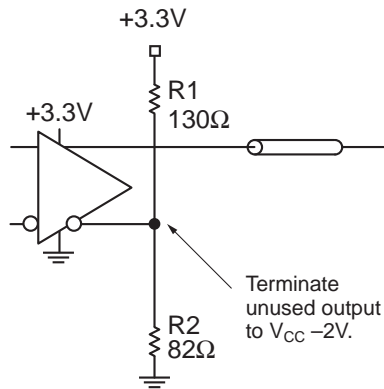
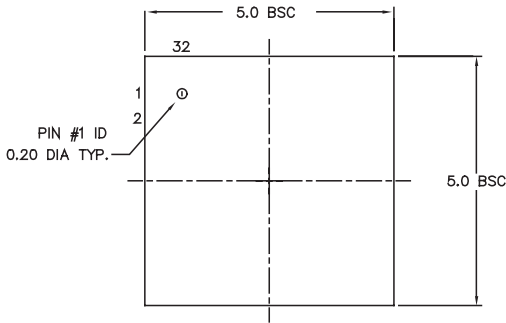


Figure 4c. Terminating Unused Outputs

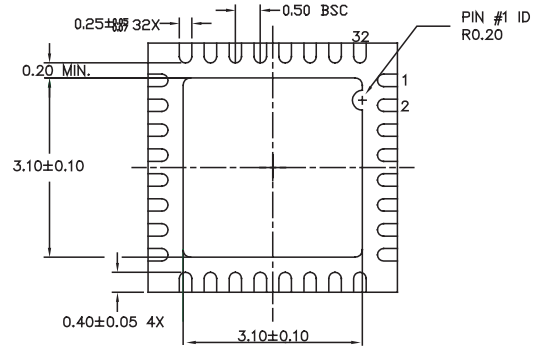
RELATED MICREL PRODUCTS AND SUPPORT DOCUMENTATION

Part Number	Function	Data Sheet Link
SY58016L	3.3V 10Gbps Differential CML Line Driver/Receiver with Internal Termination	http://www.micrel.com/product-info/products/sy58016l.shtml
SY58017U	10.7Gbps Differential CML 2:1 MUX with Internal Termination	http://www.micrel.com/product-info/products/sy58017u.shtml
SY58018U	5Gbps LVPECL 2:1 MUX with Internal Termination	http://www.micrel.com/product-info/products/sy58018u.shtml
SY58019U	10.7Gbps 400mV LVPECL 2:1 MUX with Internal Termination	http://www.micrel.com/product-info/products/sy58019u.shtml
SY58025U	10.7Gbps Dual 2:1 CML MUX with Internal Termination	http://www.micrel.com/product-info/products/sy58025u.shtml
SY58027U	10.7Gbps Dual 2:1 400mV LVPECL MUX with Internal Termination	http://www.micrel.com/product-info/products/sy58027u.shtml
SY58051U	10.7Gbps AnyGate® with Internal Input and Output Termination	http://www.micrel.com/product-info/products/sy58051u.shtml
SY58052U	10Gbps Clock/Data Retimer with 50Ω Input Termination	http://www.micrel.com/product-info/products/sy58052u.shtml
	MLF™ Application Note	www.amkor.com/products/notes_papers/MLF_AppNote_0902.pdf
HBW Solutions	New Products and Applications	www.micrel.com/product-info/products/solutions.shtml

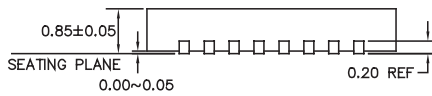
32-PIN MicroLeadFrame® (MLF-32)



TOP VIEW



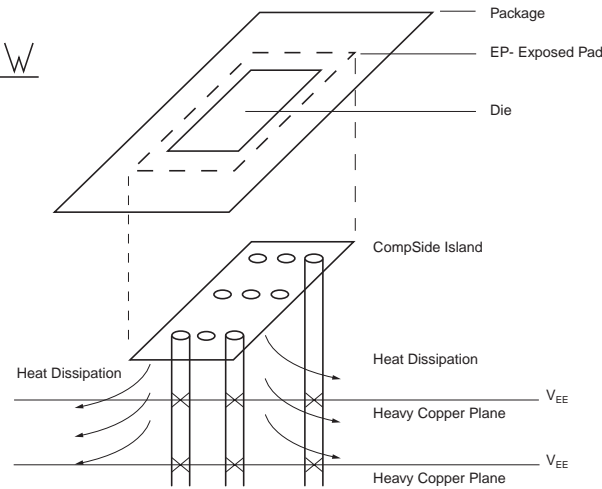
BOTTOM VIEW



SIDE VIEW

NOTE:

1. ALL DIMENSIONS ARE IN MILLIMETERS.
2. MAX. PACKAGE WARPAGE IS 0.05 mm.
3. MAXIMUM ALLOWABLE BURRS IS 0.076 mm IN ALL DIRECTIONS.
4. PIN #1 ID ON TOP WILL BE LASER/INK MARKED.



**PCB Thermal Consideration for 32-Pin MLF® Package
(Always solder, or equivalent, the exposed pad to the PCB)**

Package Notes:

1. Package meets Level 2 Moisture Sensitivity Classification.
2. All parts are dry-packaged before shipment.
3. Exposed pads must be soldered to a ground for proper thermal management.

MICREL, INC. 2180 FORTUNE DRIVE SAN JOSE, CA 95131 USA

TEL + 1 (408) 944-0800 FAX + 1 (408) 474-1000 WEB <http://www.micrel.com>

The information furnished by Micrel in this data sheet is believed to be accurate and reliable. However, no responsibility is assumed by Micrel for its use. Micrel reserves the right to change circuitry and specifications at any time without notification to the customer.

Micrel Products are not designed or authorized for use as components in life support appliances, devices or systems where malfunction of a product can reasonably be expected to result in personal injury. Life support devices or systems are devices or systems that (a) are intended for surgical implant into the body or (b) support or sustain life, and whose failure to perform can be reasonably expected to result in a significant injury to the user. A Purchaser's use or sale of Micrel Products for use in life support appliances, devices or systems is at Purchaser's own risk and Purchaser agrees to fully indemnify Micrel for any damages resulting from such use or sale.