



SY58016L

3.3V, 10Gbps Differential
CML Line Driver/Receiver
with Internal Termination

General Description

The SY58016L is a high-speed, current mode logic (CML) differential receiver. It is ideal for interfacing with high frequency sources. It can be used as a Line Receiver, Line Driver, and Limiting Amplifier. The device can be operated from DC to 10Gbps. The input incorporates internal termination resistors, and directly interfaces to a CML logic signal. The output is CML compatible, and includes 50Ω load resistors.

Data sheets and support documentation can be found on Micrel's web site at: www.micrel.com.

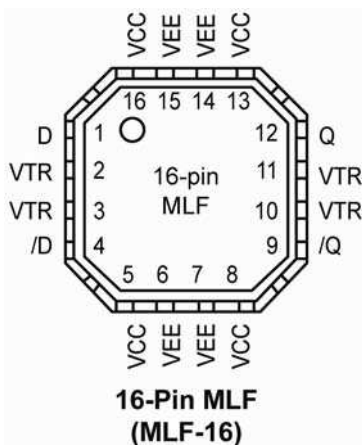
Features

- Accepts up to 10.7Gbps data
- < 45ps edge rate
- Gain $\geq 4V/V$
- CML/PECL differential inputs
- CML outputs
- Internal 50Ω input termination
- Internal 50Ω output load resistors
- Available in die or 16-pin (3mm x 3mm) MLF package

Applications

- Backplane buffering
- OC-3/OC-192 SONET clock or data distribution/driver
- All GigE clock or data distribution/driver
- Fibre Channel distribution/driver

Package/Ordering Information



Part Number	Package Type	Operating Range	Package Marking
SY58016LXC	DIE	25°C	—
SY58016LMG	MLF-16	Industrial	016L
SY58016LMGTR*	MLF-16	Industrial	016L

*Tape and Reel

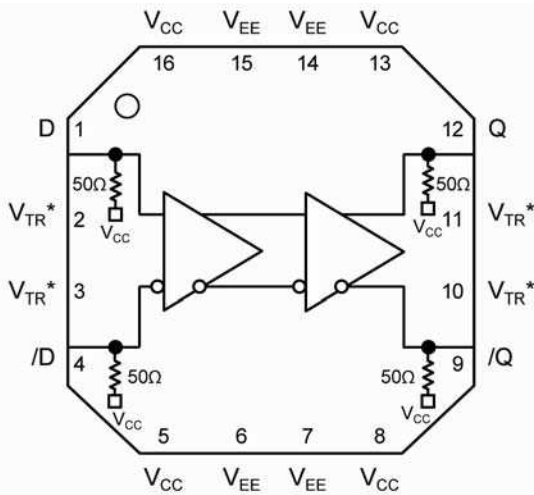
Pin Description

Pin Number	Pin Name	Pin Function
------------	----------	--------------

MLF and *MicroLeadFrame* are trademarks of Micrel, Inc.

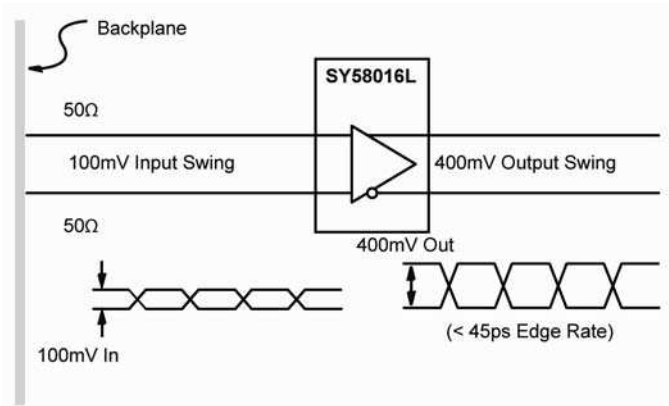
1,4	D, /D	CML, PECL differential inputs with internal 50Ω pull-up resistors.
2,3,10,11	VTR	Transmission Line Return: Normally connected to the most positive supply.
6, 7, 14, 15 Exposed pad	VEE	Most negative supply. Exposed pad to be at the same electrical potential as VEE pins.
12, 9	Q, /Q	CML differential outputs with internal 50Ω pull-up resistors.
5, 8, 13, 16	VCC	Positive power supply: +3.3V nominal.

Functional Block Diagram



*V_{TR} is not connected to the DIE.

Typical Performance



Absolute Maximum Ratings ⁽¹⁾

Supply Voltage ($V_{CC}-V_{EE}$).....	+4.0V
Output Voltage (V_{OUT}).....	Max. $V_{CC} + 0.5V$
.....	Min. V_{CC} to $-1.0V$
Maximum Input Current (I_{IN}).....	$\pm 25mA$
Maximum Output Current (I_{OUT}).....	$\pm 25mA$
Lead Temperature (Soldering, 10 sec.).....	220°C

Operating Ratings ⁽²⁾

Supply Voltage (V_{IN})	
Input Voltage ($V_{CC} = 0V$).....	$-1.0V$ to $+0.5V$
Input Voltage ($V_{EE} = 0V$).....	$V_{CC} - 1.0V$ to $V_{CC} + 0.5V$
Ambient Temperature (T_A).....	$-40^\circ C$ to $+85^\circ C$
Storage Temperature (T_S).....	$-65^\circ C$ to $+150^\circ C$
Package Thermal Resistance	
Input Voltage ($V_{CC} = 0V$).....	$-1.0V$ to $+0.5V$
MLF (θ_{JA})	
Still Air.....	60°C/W
500lfpm.....	54°C/W
MLF (ψ_{JB}) (4)32°	

Notes:

1. Permanent device damage may occur if Absolute Maximum Ratings are exceeded. This is a stress rating only, and functional operation is not implied at conditions other than those detailed in the operational sections of this data sheet. Exposure to Absolute Maximum Rating conditions for extended periods may affect device reliability.
2. The data sheet limits are not guaranteed if the device is operated beyond the operation ratings.
3. The device is guaranteed to meet the CD specifications, show in the table above, after thermal equilibrium has been established. The device is tested in a socket such that transverse airflow of ≥ 500 lfpm is maintained.
4. Junction-to-board resistance assumes exposed pad is soldered (or equivalent) to the devices most negative potential on the PCB.

DC Electrical Characteristics ⁽⁴⁾

$V_{EE} = GND$; $V_{CC} = 3.3V \pm 10\%$.

Symbol	Parameter	Condition	Min	Typ	Max	Units
I_{EE}	Power Supply Current		—	50	75	mA
R_{IN}	Input Resistance		40	50	60	Ω
R_{OUT}	Output Source Impedance		40	50	60	Ω
V_{IH}	Input HIGH Voltage		$V_{CC} - 0.9$	—	V_{CC}	V
V_{IL}	Input LOW Voltage		$V_{CC} - 1.0$	—	$V_{CC} - 0.1$	V
V_{OH}	Output HIGH Voltage		$V_{CC} - 0.040$	$V_{CC} - 0.010$	V_{CC}	V
V_{OL}	Output LOW Voltage	⁽¹⁾	—	$V_{CC} - 0.400$	$V_{CC} - 0.325$	V
$V_{OUT(swing)}$	Output Voltage Swing	⁽¹⁾	325	400	—	mVp-p

Note:

1. 50 Ω output load and input swing is more than 100mVp-p. See Figure 1 for Output Swing definition.

Input/Output Swing



Figure 1. Input/Output Swing

AC Electrical Characteristics

Symbol	Parameter	Condition	Min	Typ	Max	Units
f_{MAX}	Maximum Data Rate		10.7	—	—	Gbps
t_{PLH} t_{PHL}	Propagation Delay		—	100	150	ps
t_{JITTER}	Random Jitter	(1)	—	—	1.5	ps (rms)
	Deterministic Jitter	(2)	—	—	15	ps (pk-pk)
V_{IN}	Minimum Input Swing	(3)	100	—	—	mVp-p
t_r, t_f	Output Rise/Fall times (20% to 80%)	(4)	—	30	45	ps

Notes:

1. Measured with a K28.7 comma detect character pattern, measured at 10Gbps. See Figure 2: Eye Diagram.
2. Measured with a K28/5 pattern 223-1PRBS pattern at 10Gbps.
3. Minimum input swing for which AC parameters are guaranteed. See Figure 1. Reduced input swing will impact maximum data rate and the resulting eye pattern.
4. 50Ω load and input swing is more than 100mVp-p.

Eye Diagram

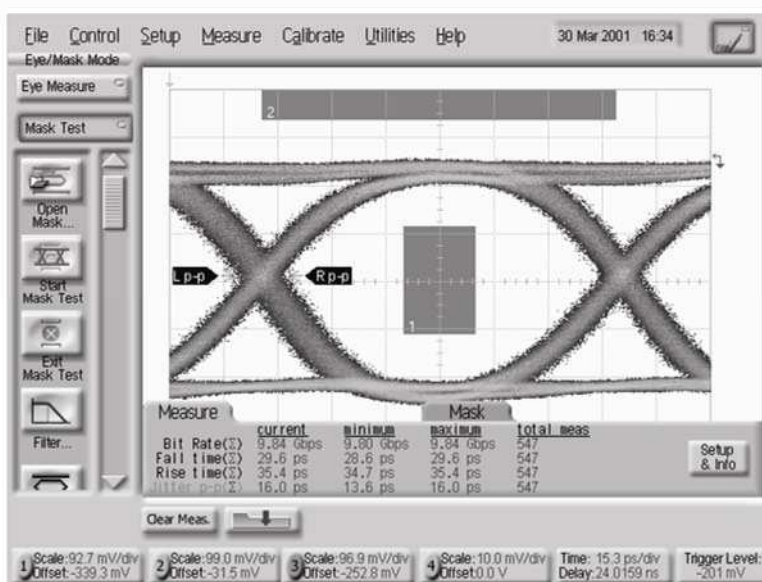
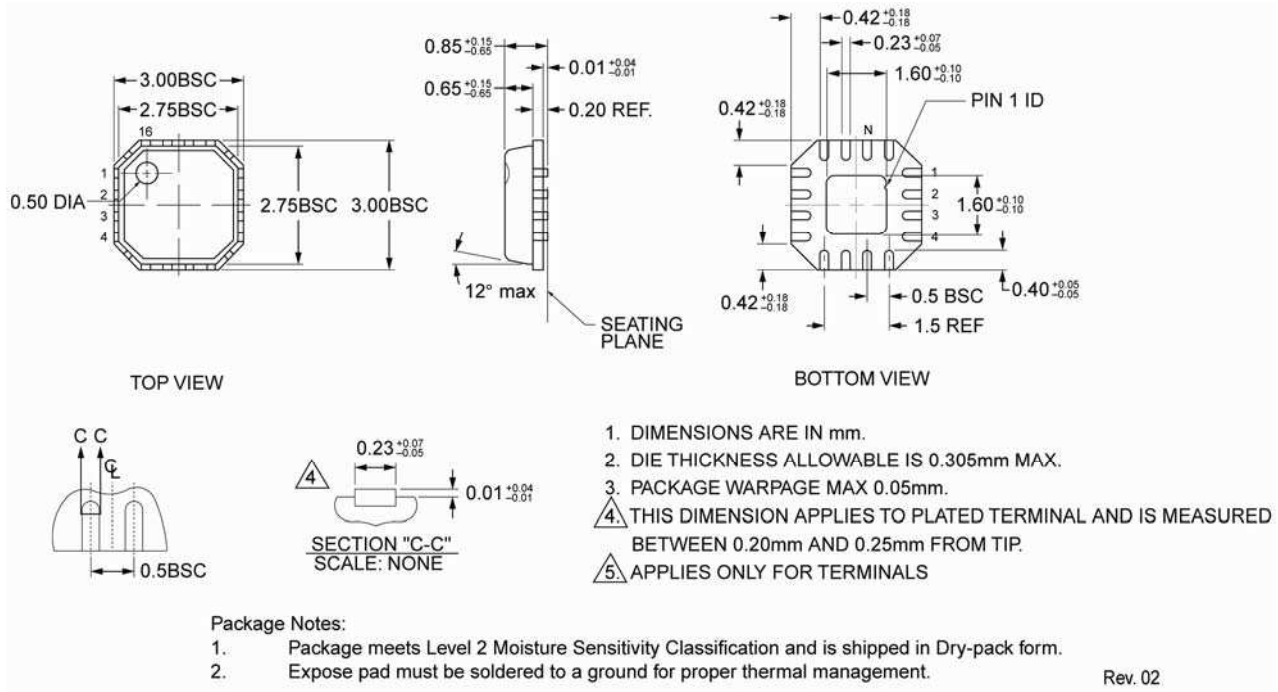


Figure 2. Eye Diagram

16 LEAD MicroLeadFrame™ (MLF-16)



MICREL, INC. 2180 FORTUNE DRIVE SAN JOSE, CA 95131 USA
 TEL +1 (408) 944-0800 FAX +1 (408) 474-1000 WEB <http://www.micrel.com>

Micrel makes no representations or warranties with respect to the accuracy or completeness of the information furnished in this data sheet. This information is not intended as a warranty and Micrel does not assume responsibility for its use. Micrel reserves the right to change circuitry, specifications and descriptions at any time without notice. No license, whether express, implied, arising by estoppel or otherwise, to any intellectual property rights is granted by this document. Except as provided in Micrel's terms and conditions of sale for such products, Micrel assumes no liability whatsoever, and Micrel disclaims any express or implied warranty relating to the sale and/or use of Micrel products including liability or warranties relating to fitness for a particular purpose, merchantability, or infringement of any patent, copyright or other intellectual property right.

Micrel Products are not designed or authorized for use as components in life support appliances, devices or systems where malfunction of a product can reasonably be expected to result in personal injury. Life support devices or systems are devices or systems that (a) are intended for surgical implant into the body or (b) support or sustain life, and whose failure to perform can be reasonably expected to result in a significant injury to the user. A Purchaser's use or sale of Micrel Products for use in life support appliances, devices or systems is a Purchaser's own risk and Purchaser agrees to fully indemnify Micrel for any damages resulting from such use or sale.